



US00D380876S

United States Patent [19] Campbell

[11] Patent Number: Des. 380,876

[45] Date of Patent: **Jul. 8, 1997

[54] **KNEE PAD**

[75] Inventor: **Tom Campbell**, Alta Dena, Calif.

[73] Assignee: **McGuire-Nicholas Company, Inc.**,
City of Commerce, Calif.

[**] Term: **14 Years**

[21] Appl. No.: **30,856**

[22] Filed: **Nov. 10, 1994**

[51] **LOC (6) Cl.** **29-02**

[52] **U.S. Cl.** **D29/121**

[58] **Field of Search** D29/120, 121;
2/24, 22, 16, 62, 910-912, 908, 267

D. 360,285 7/1995 Paffett et al. D29/121

D. 360,286 7/1995 Paffett et al. D29/121

D. 360,287 7/1995 Paffett et al. D29/121

D. 361,163 8/1995 Chen D29/121

Primary Examiner—Ruth McInroy
Attorney, Agent, or Firm—Jeffrey G. Sheldon; Sheldon & Mak, Inc.

[57] CLAIM

The ornamental design for a knee pad, as shown and described.

DESCRIPTION

FIG. 1 is a front perspective view of a knee pad showing my new design;

FIG. 2 is a front elevational view thereof;

FIG. 3 is a top plan view thereof;

FIG. 4 is a side elevational view thereof;

FIG. 5 is a bottom plan view thereof; and,

FIG. 6 is rear elevational view thereof.

The broken lines in all views represents conventional stitching.

References Cited

U.S. PATENT DOCUMENTS

D. 255,728 7/1980 Baron D24/190

D. 341,005 11/1993 Pratt D29/121

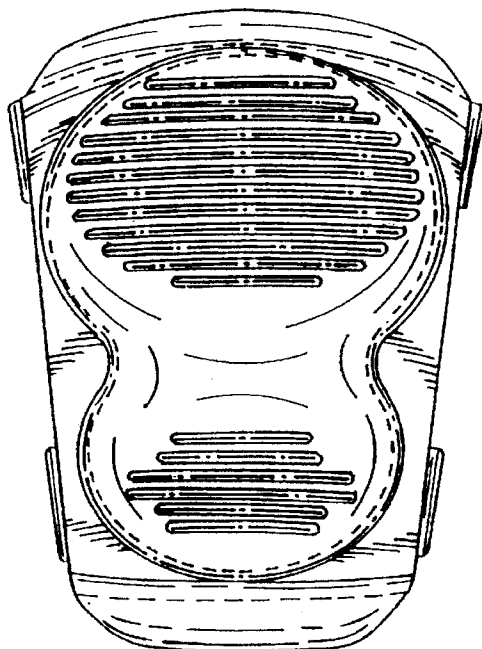
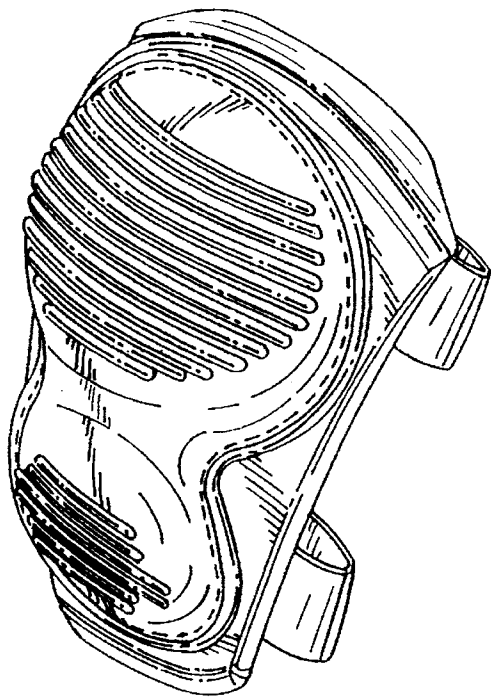
D. 343,480 1/1994 Levine D29/121

D. 347,301 5/1994 Levine D29/121

D. 355,052 1/1995 Paikos et al. D29/100

D. 360,284 7/1995 Paffett et al. D29/121

1 Claim, 2 Drawing Sheets



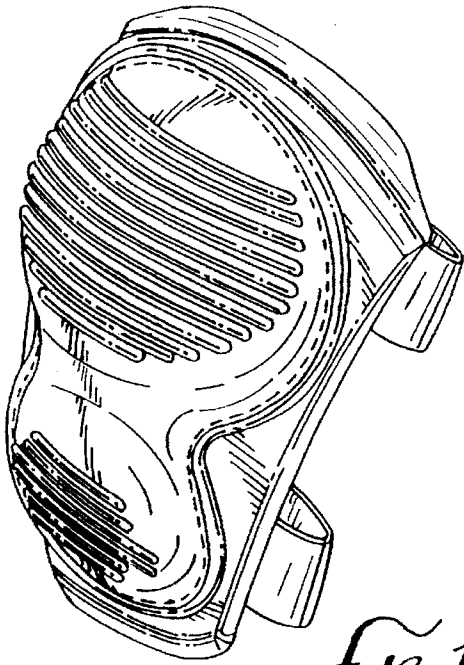


Fig. 1.

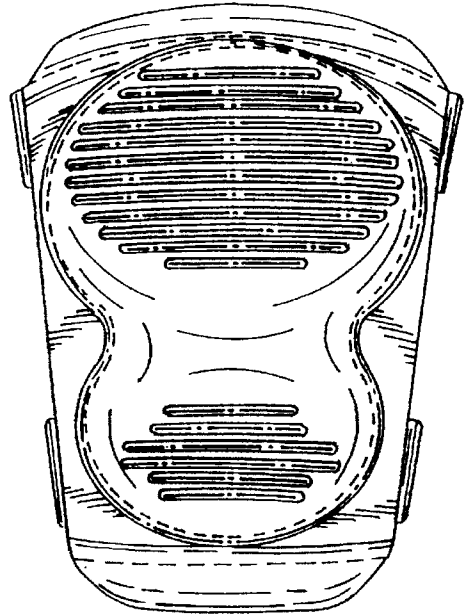


Fig. 2.

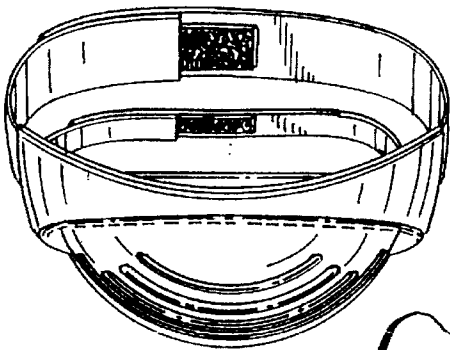


Fig. 3.

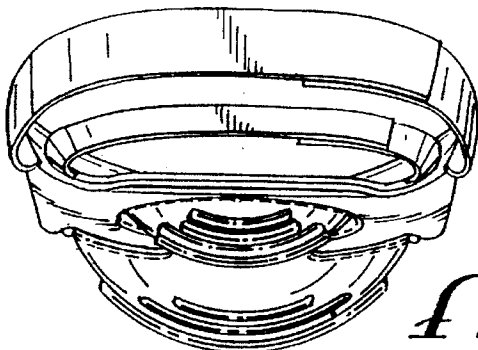


Fig. 5.

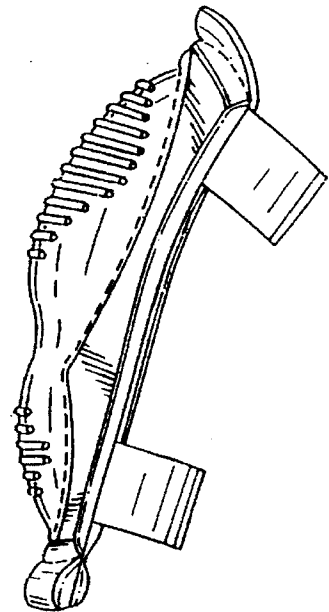


Fig. 4.

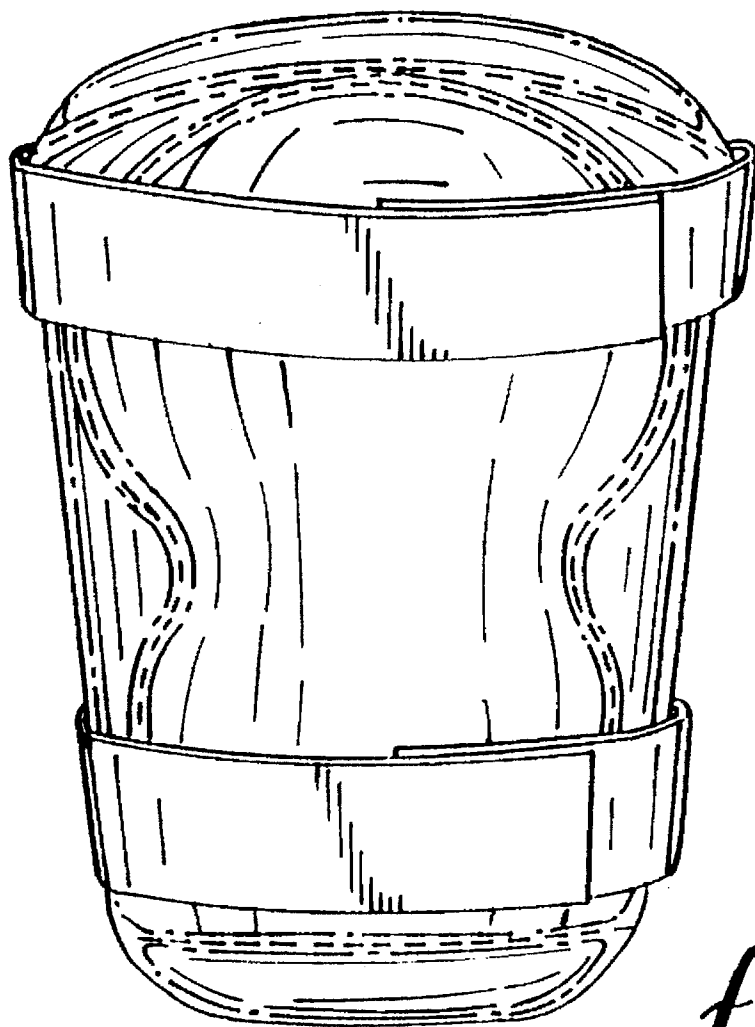


FIG. 6.