



US00D423889S

# United States Patent [19] Heffner

[11] Patent Number: Des. 423,889

[45] Date of Patent: \*\* May 2, 2000

[54] GRASS PLUNGER

5,492,181 2/1996 Grant .

[76] Inventor: James Heffner, 1195 David Dr., Holly Hill, Fla. 32117

### OTHER PUBLICATIONS

Langenbach catalog; Long Handled Planter; p. 24, 1992.

[\*\*] Term: 14 Years

Primary Examiner—Robin V. Taylor

[21] Appl. No.: 29/103,905

Attorney, Agent, or Firm—Allen, Dyer, Doppelt, Milbrath & Gilchrist, P.A

[22] Filed: Apr. 23, 1999

### [57] CLAIM

[51] LOC (7) Cl. .... 08-01

The ornamental design for a grass plunger, as shown and described.

[52] U.S. Cl. .... D8/1

[58] Field of Search ..... D8/1, 2, 7-13;  
294/49, 50.8, 50.5, 52, 50.7, 57; 52/158;  
254/132; 172/21, 22

### DESCRIPTION

### [56] References Cited

#### U.S. PATENT DOCUMENTS

D. 251,698	5/1979	Bartholomew	.....	D8/7
D. 258,112	2/1981	Klapp	.....	D8/7
D. 302,512	8/1989	Slayton	.....	D8/7
D. 322,918	1/1992	Parks et al.	.....	D8/13
1,692,436	11/1928	Deane	.	
2,618,500	11/1952	Peach	.	
3,089,721	5/1963	Puckett	.....	294/50.7
3,416,831	12/1968	Bishop et al.	.....	294/50.5
3,444,938	5/1969	Ballmann	.	
3,838,739	10/1974	Pollard	.	
3,865,055	2/1975	Gilbaugh	.	
3,951,212	4/1976	Hallman	.	
4,585,072	4/1986	Martinez	.	
4,790,392	12/1988	Clements	.	
4,819,735	4/1989	Puckett	.	
4,884,638	12/1989	Hoffman	.	
4,932,339	6/1990	List	.	
4,966,238	10/1990	Shields	.	
4,974,682	12/1990	Hoffman	.	
5,088,562	2/1992	Shields	.	
5,234,241	8/1993	Ikerd	.....	294/50.8
5,242,024	9/1993	Van Houten	.	
5,337,831	8/1994	Chopp	.	
5,343,771	9/1994	Turriff et al.	.	
5,398,624	3/1995	Caron	.	
5,469,923	11/1995	Visser	.	

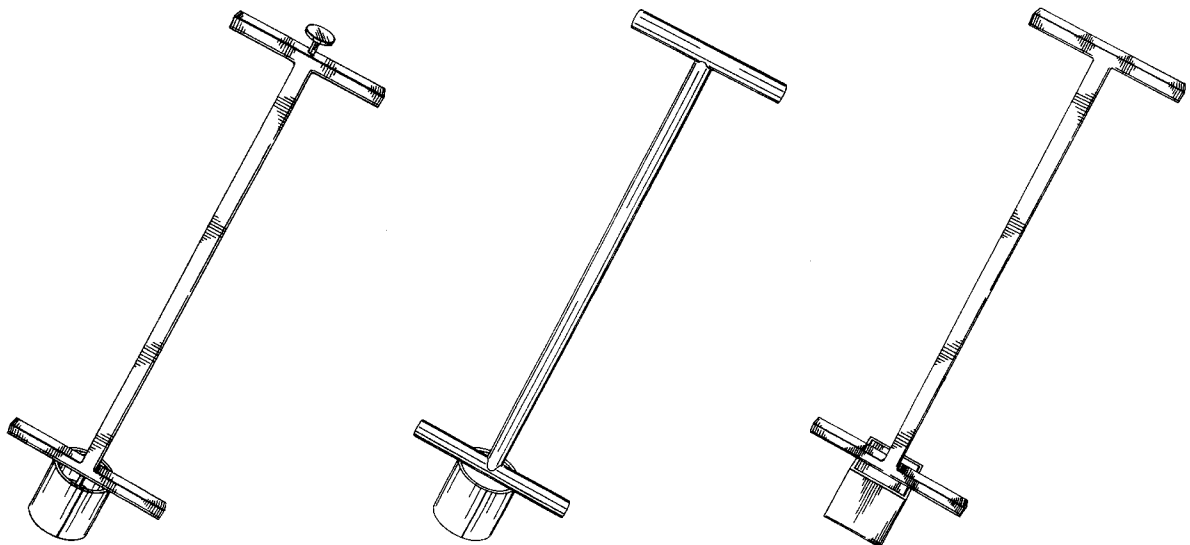
FIG. 1 is a perspective view;  
FIG. 2 is an elevation view;  
FIG. 3 is a side elevation view;  
FIG. 4 is a top plan view; and  
FIG. 5 is a bottom plan view;  
FIGS. 6 through 10 show an alternate embodiment of the design;

FIG. 6 is a perspective view;  
FIG. 7 is an elevation view;  
FIG. 8 is a side elevation view;  
FIG. 9 is a top plan view; and  
FIG. 10 is a bottom plan view;  
FIGS. 11 through 15 show a further alternate embodiment of the design;

FIGS. 11 is a perspective view;  
FIG. 12 is an elevation view;  
FIG. 13 is a side elevation view;  
FIG. 14 is a top plan view; and  
FIG. 15 is a bottom plan view;  
FIGS. 16 through 20 show an additional alternate embodiment of the design;

FIG. 16 is a perspective view;  
FIG. 17 is an elevation view;  
FIG. 18 is a side elevation view;  
FIG. 19 is a top plan view; and,  
FIG. 20 is a bottom plan view.

1 Claim, 8 Drawing Sheets



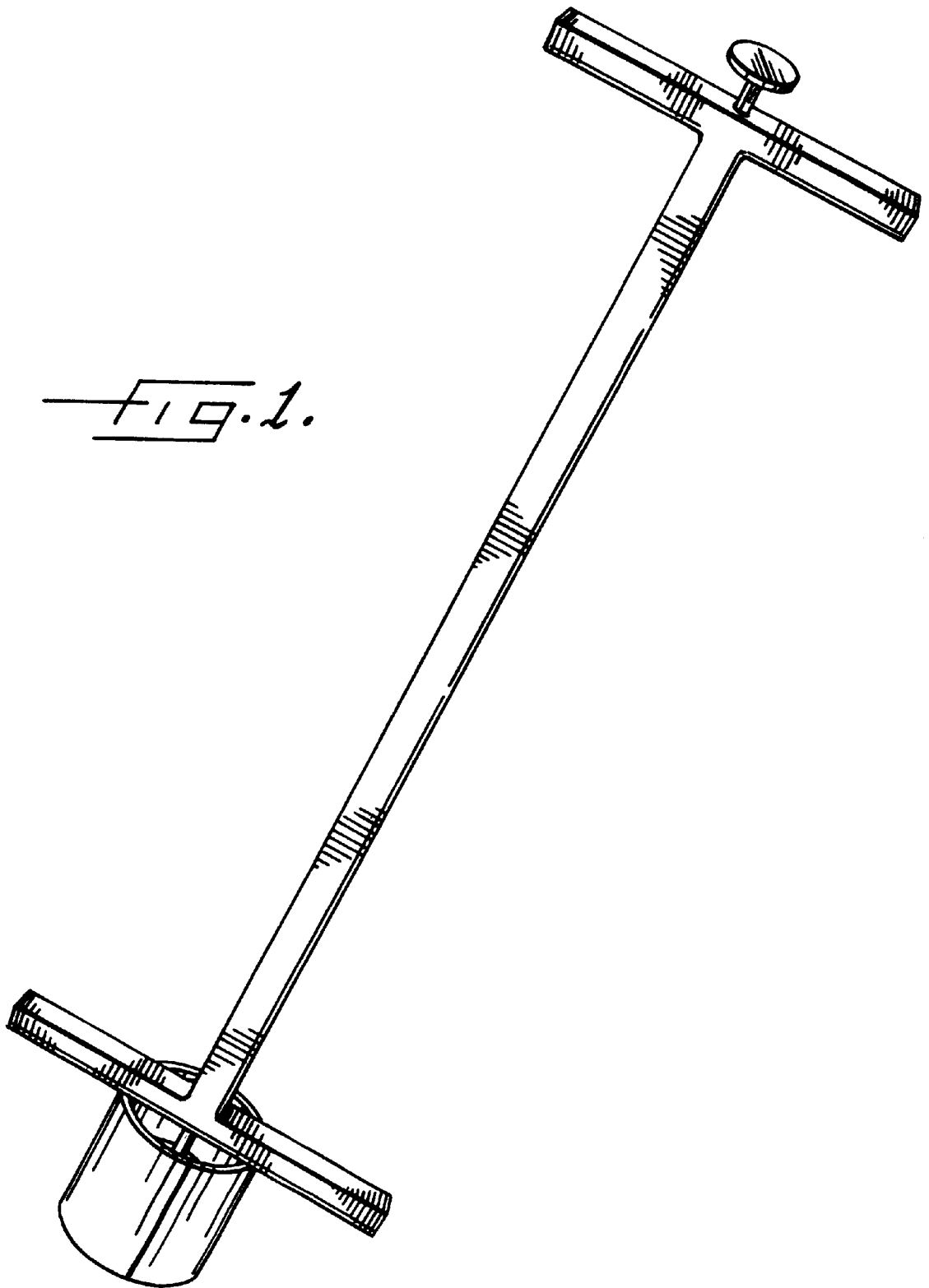


FIG. 1.

FIG. 4.

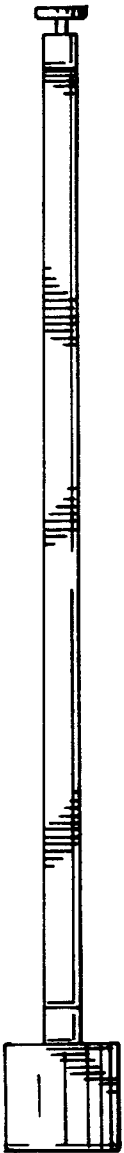
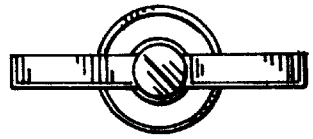


FIG. 2.

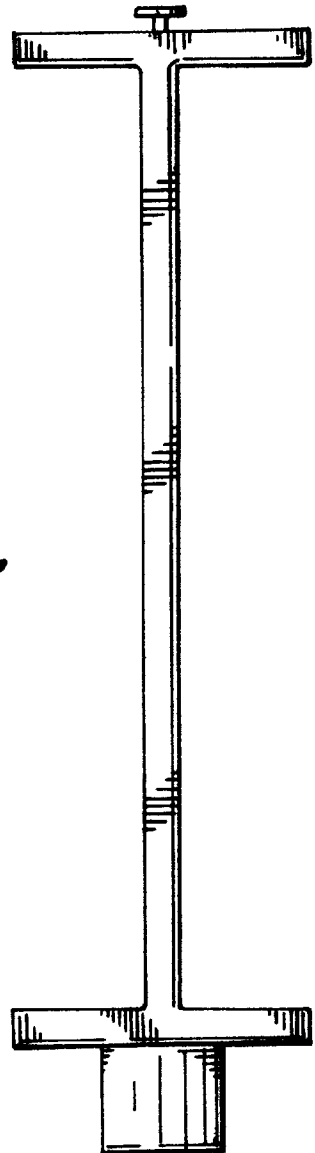


FIG. 3.

FIG. 5.



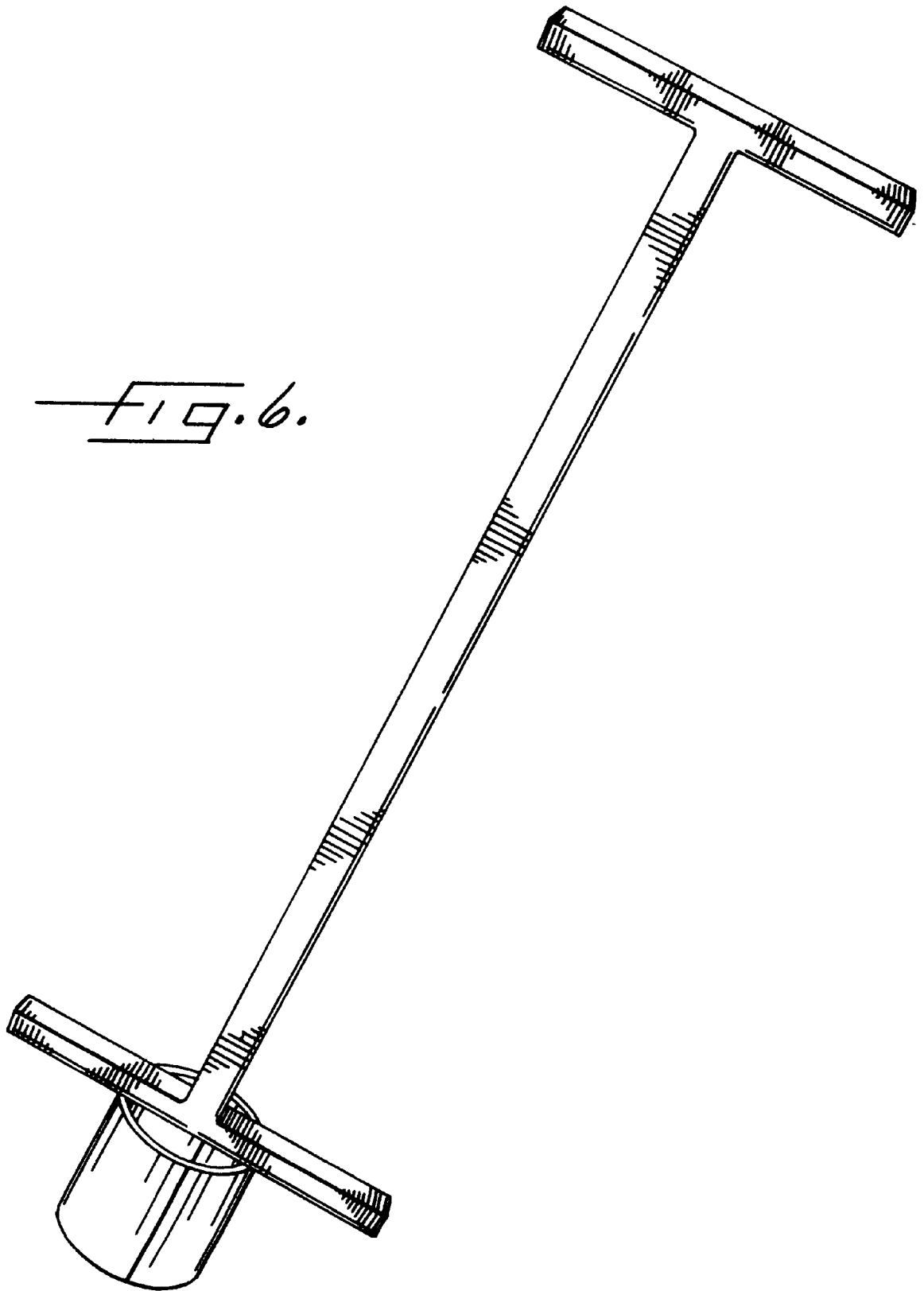


FIG. 6.

FIG. 9.

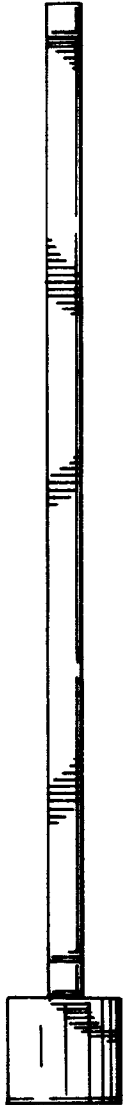
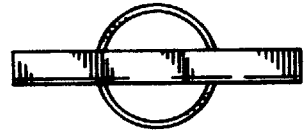


FIG. 8.

FIG. 7.

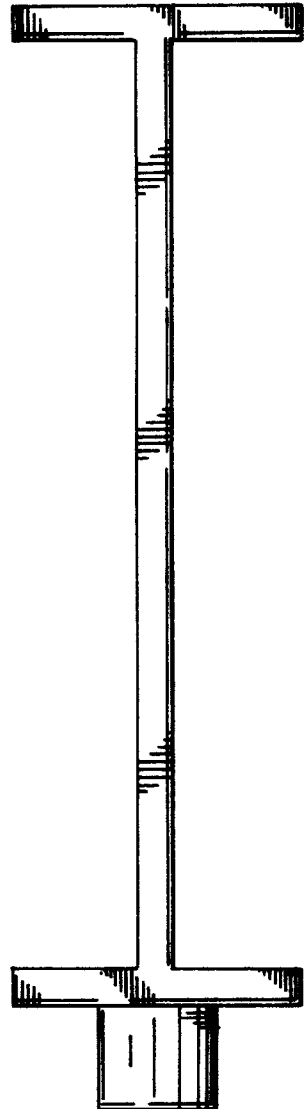


FIG. 10.



*FIG. 11.*

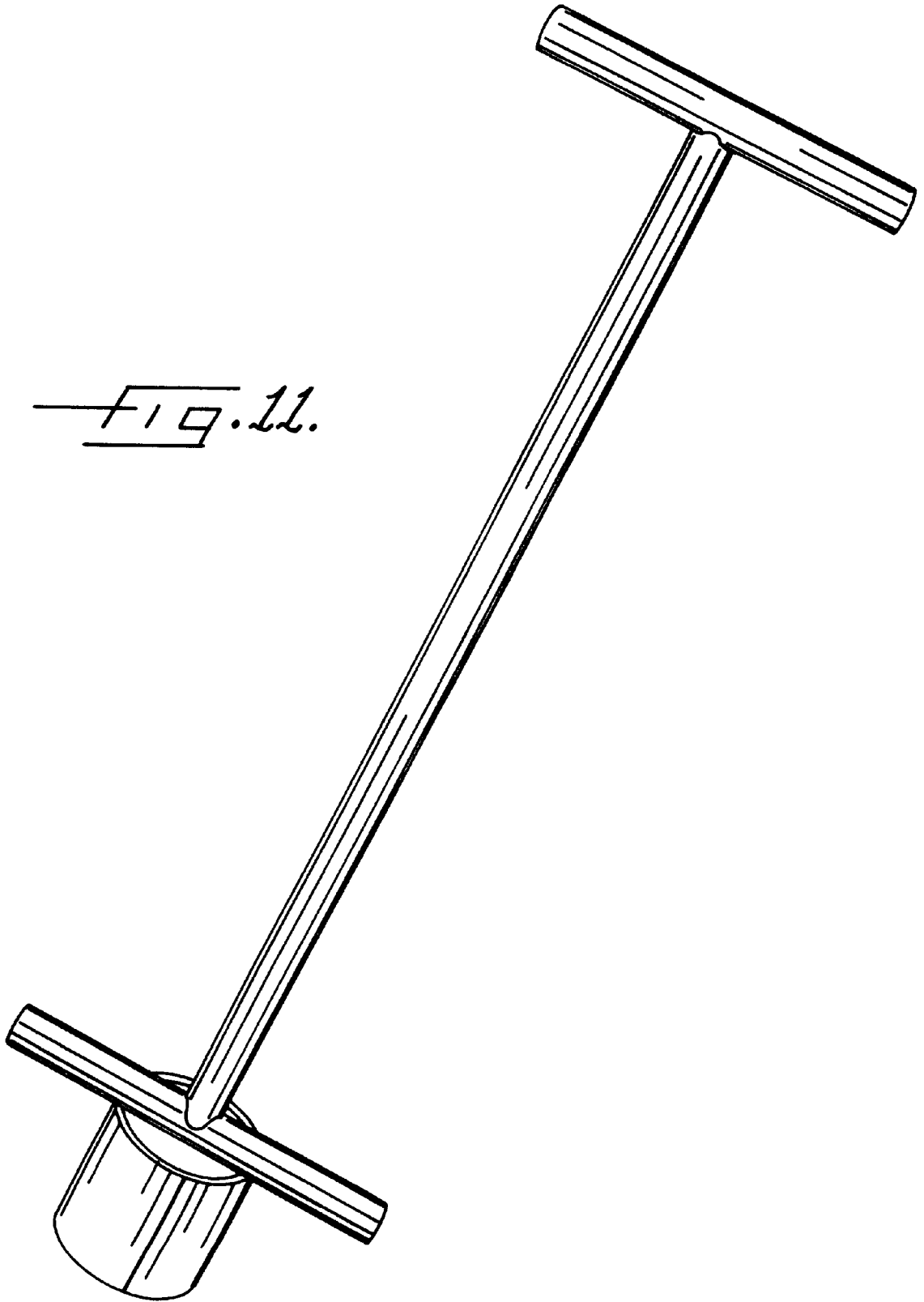


FIG. 14

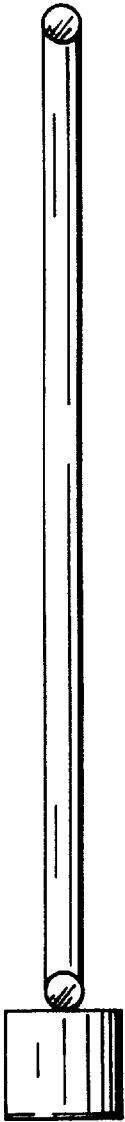
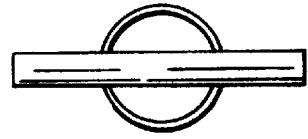


FIG. 12.

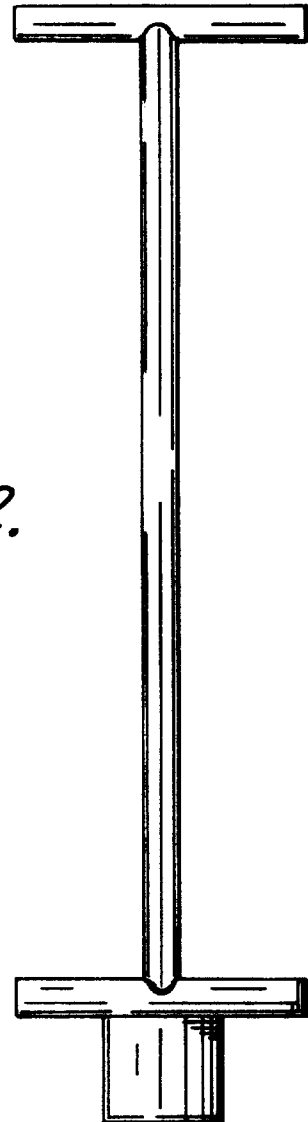
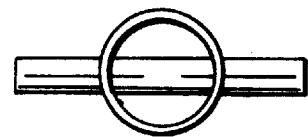


FIG. 13.

FIG. 15.



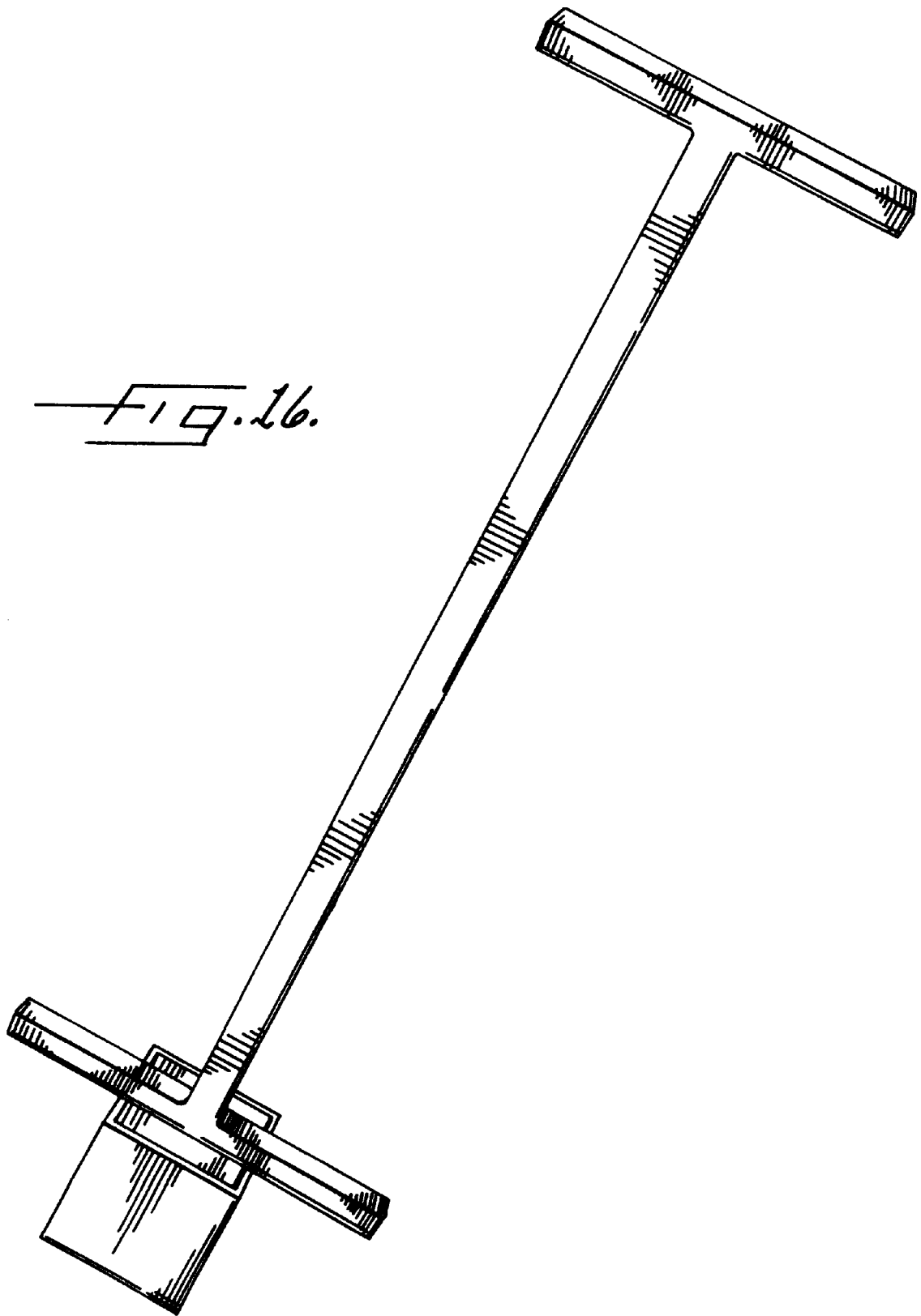




FIG. 19.

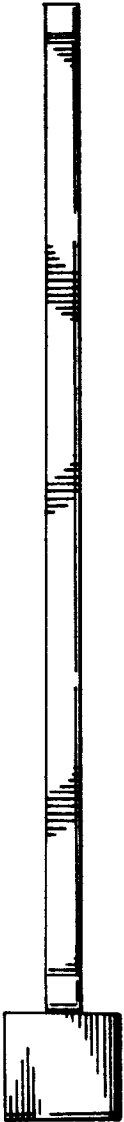
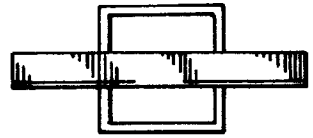


FIG. 18.

FIG. 17.

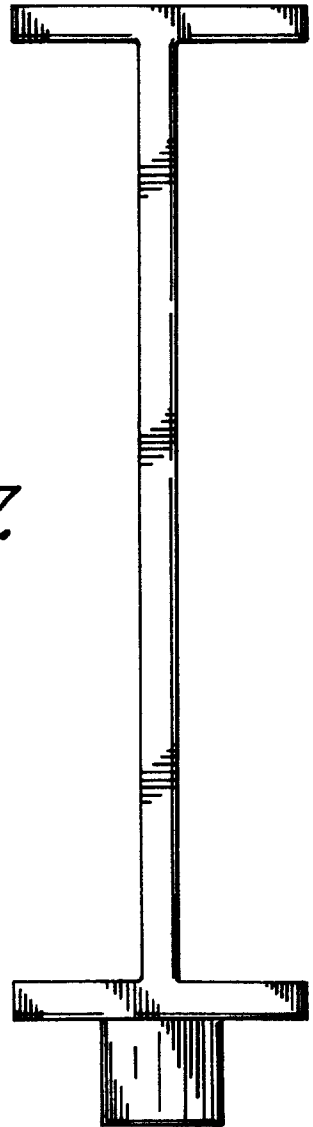


FIG. 20.

