



US00D807147S

(12) **United States Design Patent**
Renault

(10) **Patent No.:** **US D807,147 S**

(45) **Date of Patent:** **** Jan. 9, 2018**

- (54) **GRIP OF HOSE**
- (71) Applicant: **KUHN S.A.**, Saverne (FR)
- (72) Inventor: **Stéphane Renault**, Allenwiller (FR)
- (**) Term: **15 Years**
- (21) Appl. No.: **35/500,978**
- (22) Filed: **Feb. 12, 2016**
- (80) **Hague Agreement Data**
 Int. Filing Date: **Feb. 12, 2016**
 Int. Reg. No.: **DM/090497**
 Int. Reg. Date: **Feb. 12, 2016**
 Int. Reg. Pub. Date: **May 20, 2016**
- (51) **LOC (11) Cl.** **08-06**
- (52) **U.S. Cl.**
 USPC **D8/303**
- (58) **Field of Classification Search**
 USPC D8/14, 16, 19, 20, 98-101, 107, 300,
 D8/303, DIG. 7, DIG. 8; D12/178;
 D21/694; D23/223
 CPC A63B 21/072; A63B 21/0724; A63B
 21/0726; A63B 21/0728; A63B 21/075;
 B05B 15/001; B26B 5/005; B62K 21/26;
 F16L 33/30; Y10T 16/44; Y10T 16/466;
 Y10T 16/476; Y10T 74/20828
 See application file for complete search history.

D225,713	S	*	1/1973	Nichols, Jr.	D8/14
4,453,710	A	*	6/1984	Plotz	A63B 21/0602
						403/167
D299,807	S	*	2/1989	Sawa	D22/118
D317,256	S	*	6/1991	Samuels	D9/503
D322,022	S	*	12/1991	Cunningham	D8/303
5,441,471	A	*	8/1995	Passer	A63B 21/0602
						482/106
D374,518	S	*	10/1996	McIntyre	D21/694
5,983,747	A	*	11/1999	Chen	B62K 21/125
						16/110.1
D430,072	S	*	8/2000	Harrison	D12/114
D450,278	S	*	11/2001	Solberg	D12/178
D459,785	S	*	7/2002	Chih	D23/213
7,141,197	B2	*	11/2006	Chadwick	B32B 7/02
						264/209.1
7,234,205	B2	*	6/2007	Blauer	A45B 9/02
						135/25.4
D615,605	S	*	5/2010	Frasco	D21/682
D623,703	S	*	9/2010	Dalgaard	D21/423
7,996,961	B2	*	8/2011	Blauer	A45B 9/02
						135/25.4

(Continued)

Primary Examiner — Elizabeth Albert

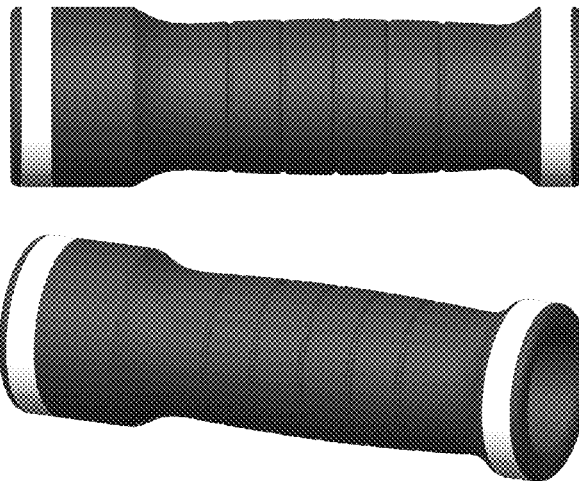
(57) **CLAIM**

The ornamental design for a grip of hose, as shown and described.

DESCRIPTION

1.1 is a front elevational view of a grip of hose, the rear elevational view being a mirror image of the front elevational view shown;
1.2 is a top plan view thereof, the bottom plan view being a mirror image of the top plan view shown;
1.3 is a front, top, and right side perspective view thereof;
1.4 is a front elevational view thereof showing environmental subject matter;
1.5 is a left side elevational view thereof; and
1.6 is a right side elevational view thereof.
 The broken lines in figure **1.4** illustrate environmental subject matter that forms no part of the claimed design.

1 Claim, 6 Drawing Sheets



(56)

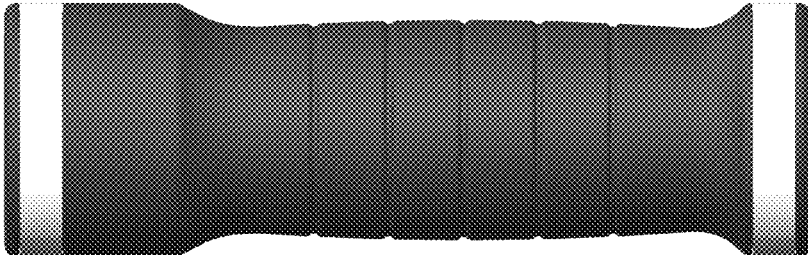
References Cited

U.S. PATENT DOCUMENTS

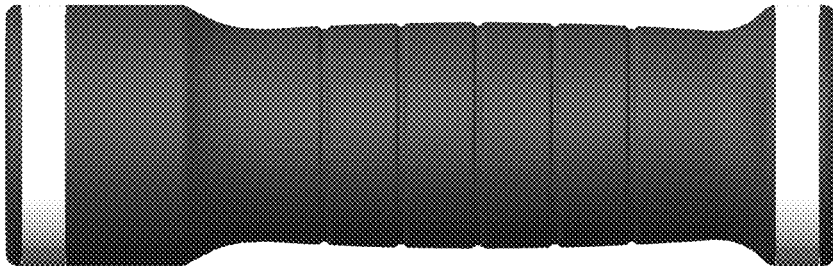
8,220,840	B2 *	7/2012	Garraffa	B63C 11/205 128/201.27
2006/0021196	A1 *	2/2006	Blauer	A45B 9/02 16/431
2009/0207599	A1 *	8/2009	Frick	F21V 23/0414 362/191
2010/0184570	A1 *	7/2010	Cheng	A63B 21/075 482/107
2013/0133467	A1 *	5/2013	Slone	B62K 21/26 74/551.9

* cited by examiner

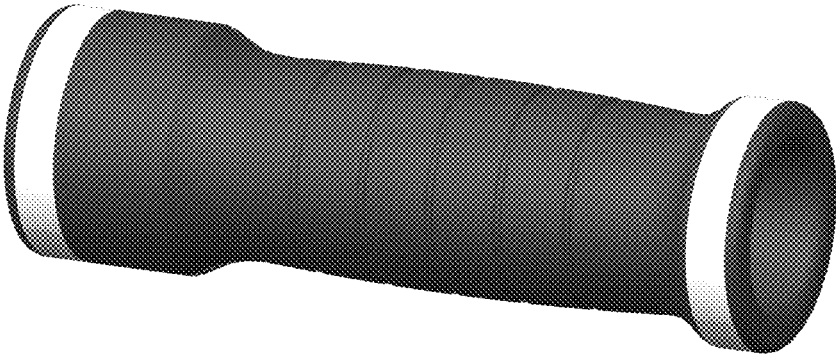
1.1



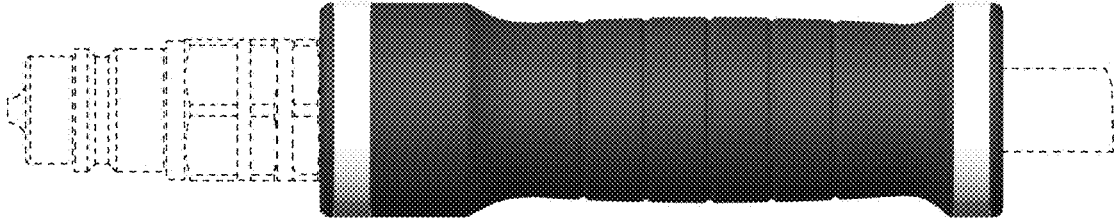
1.2



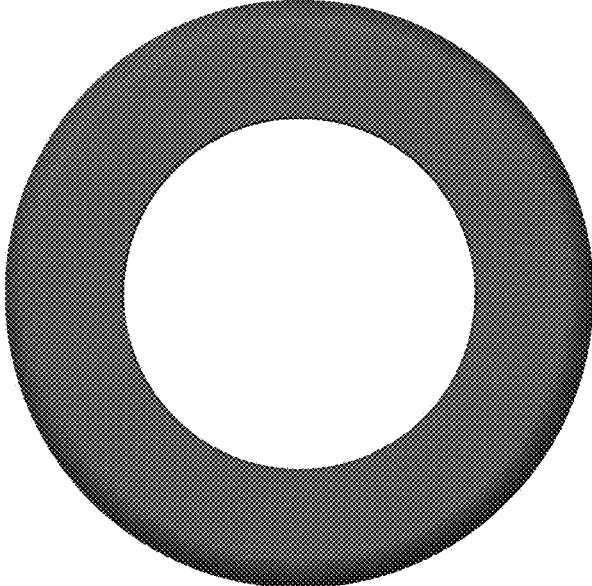
1.3



1.4



1.5



1.6

