

US00D384118S

# United States Patent [19]

Deblauw

[11] Patent Number: Des. 384,118

[45] Date of Patent: \*\*Sep. 23, 1997

[54] EXERCISE MACHINE

[75] Inventor: Michael Deblauw, San Jose, Calif.

[73] Assignee: Healthrider Corp., Logan, Utah

[\*\*] Term: 14 Years

5,178,599 1/1993 Scott ..... 482/96

5,342,269 8/1994 Hoang et al. .... 482/96

5,356,358 10/1994 Chen ..... 482/57

5,366,428 11/1994 Liao ..... 482/57

5,464,378 11/1995 Yu ..... 482/72

Primary Examiner—Philip S. Hyder

[21] Appl. No.: 51,346

[22] Filed: Mar. 5, 1996

### [57] CLAIM

The ornamental design for an exercise machine, as shown and described.

[51] LOC (6) Cl. .... 21-02

[52] U.S. Cl. .... D21/195

[58] Field of Search ..... D21/191, 194,  
D21/195; 482/72, 95, 51, 57, 62, 96, 137

### DESCRIPTION

FIG. 1 is a front and right side perspective view of an exercise machine showing my new design;

FIG. 2 is a left side elevational view, the right side view being a mirror image thereof;

FIG. 3 is a top plan view;

FIG. 4 is a bottom plan view;

FIG. 5 is a front elevational view; and,

FIG. 6 is a rear elevational view.

### [56] References Cited

#### U.S. PATENT DOCUMENTS

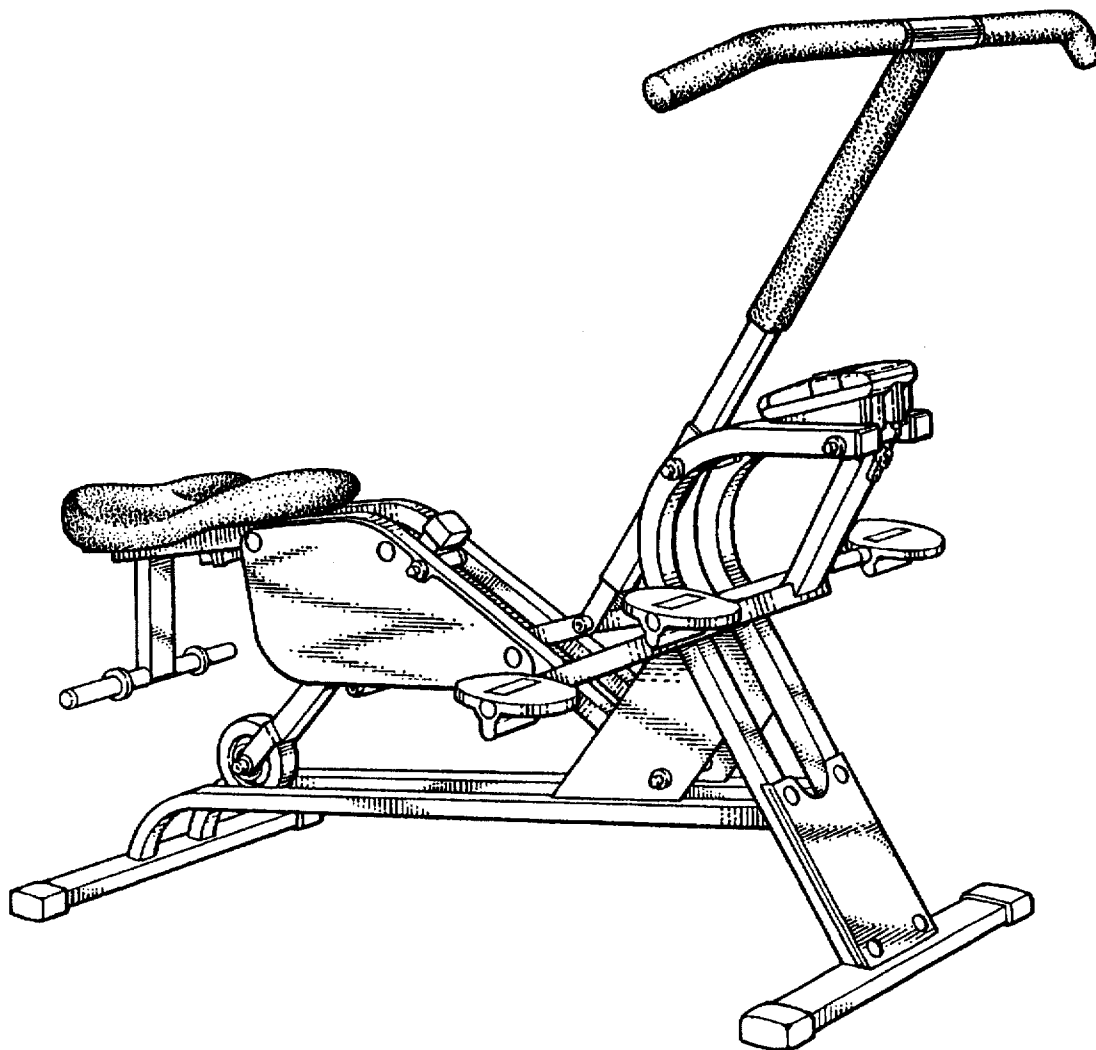
D. 174,738 5/1955 Cowgill ..... D21/195

D. 344,112 2/1994 Smith ..... D21/195

D. 356,128 3/1995 Smith et al. .... D21/195

D. 358,437 5/1995 Wang ..... D21/191

1 Claim, 3 Drawing Sheets



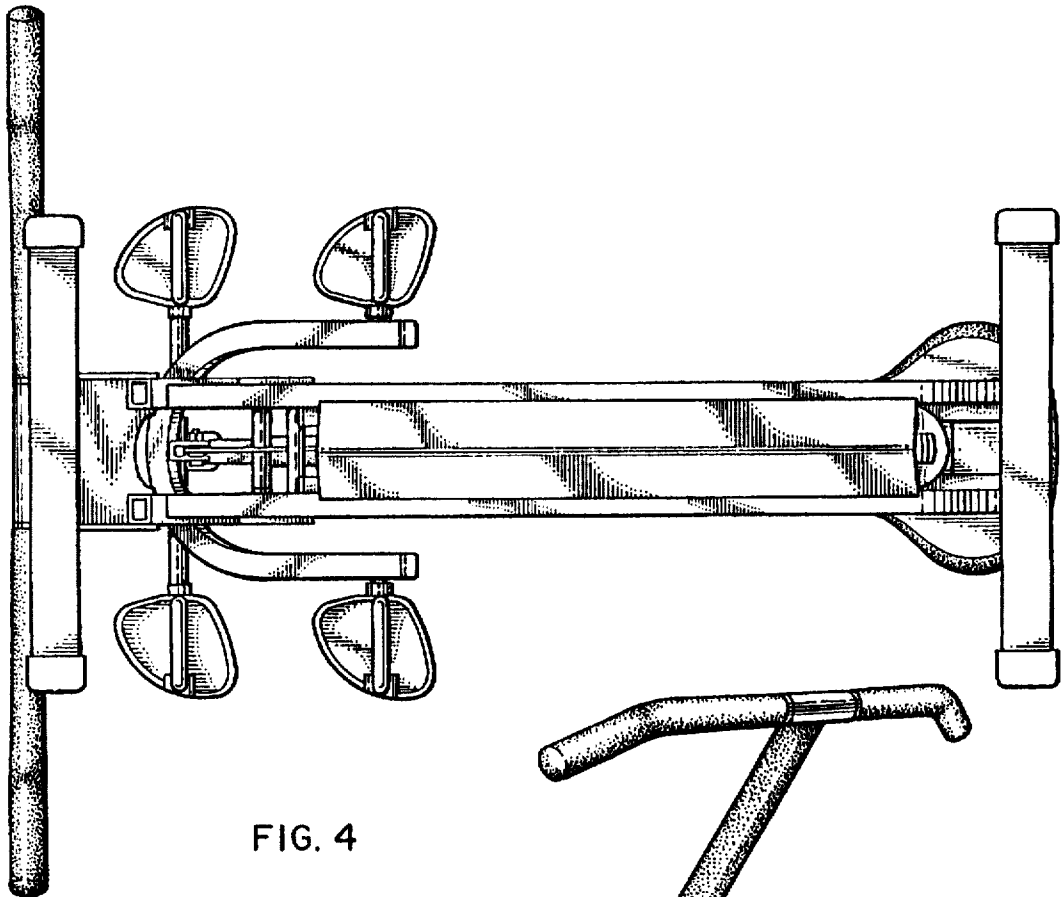


FIG. 4

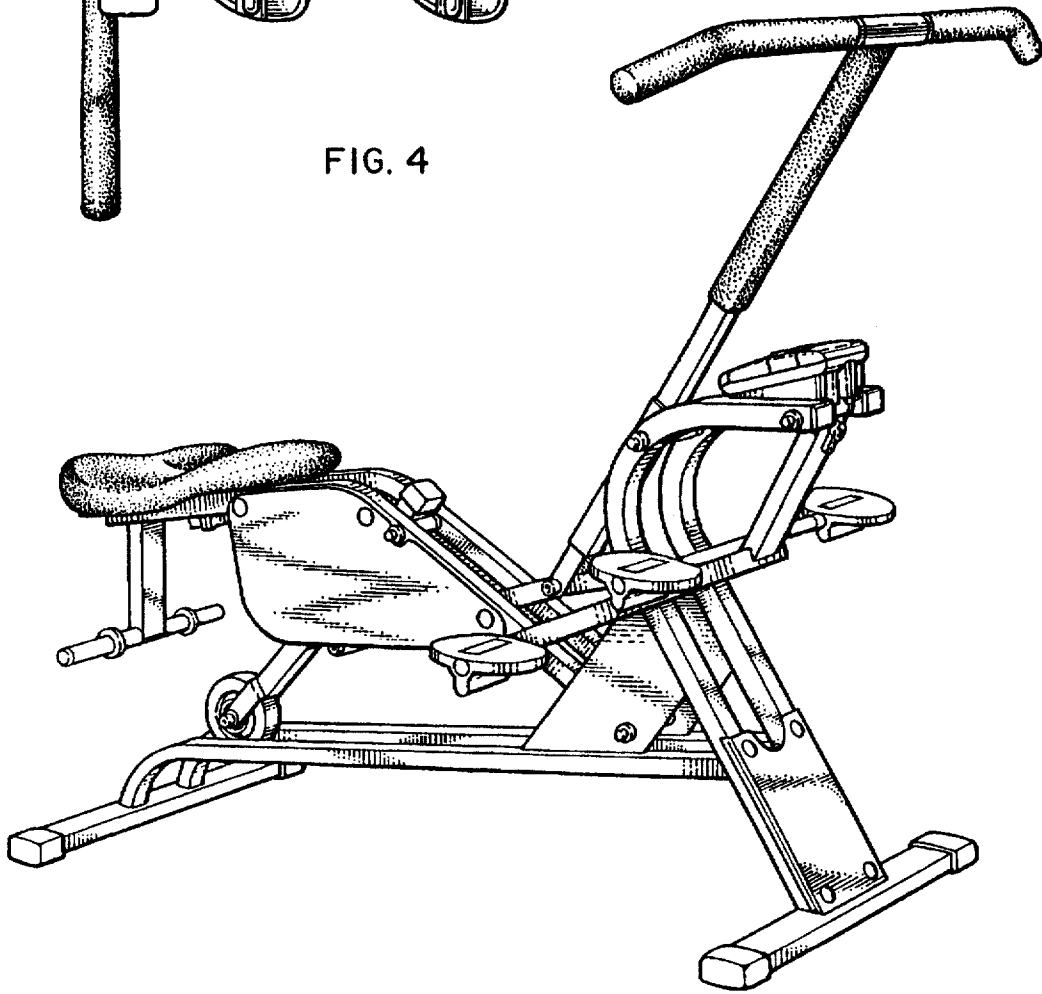


FIG. 1

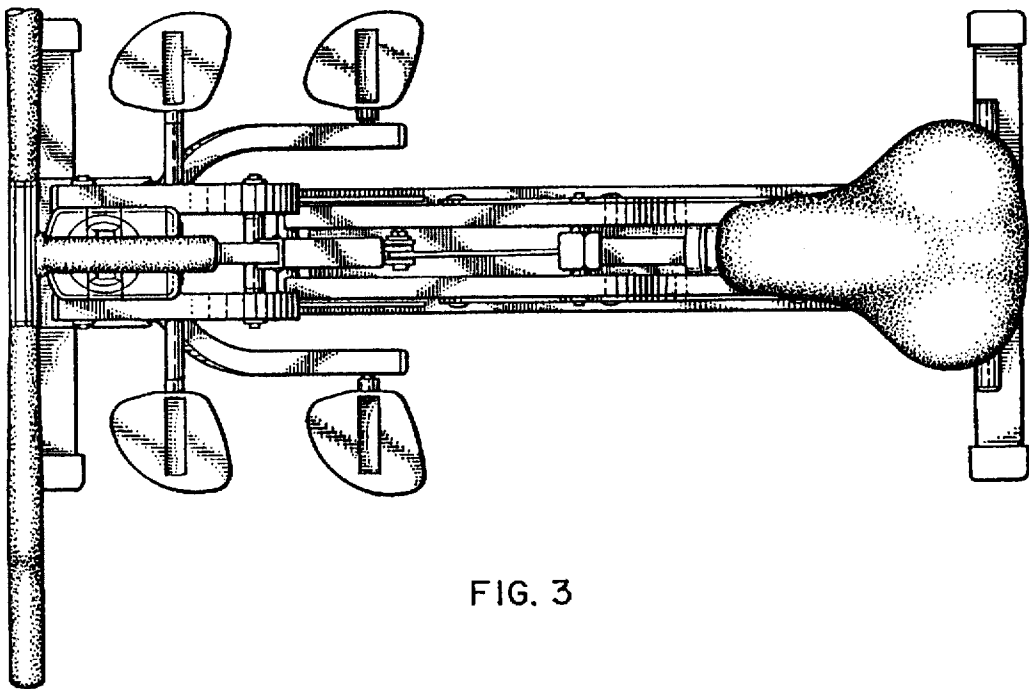


FIG. 3

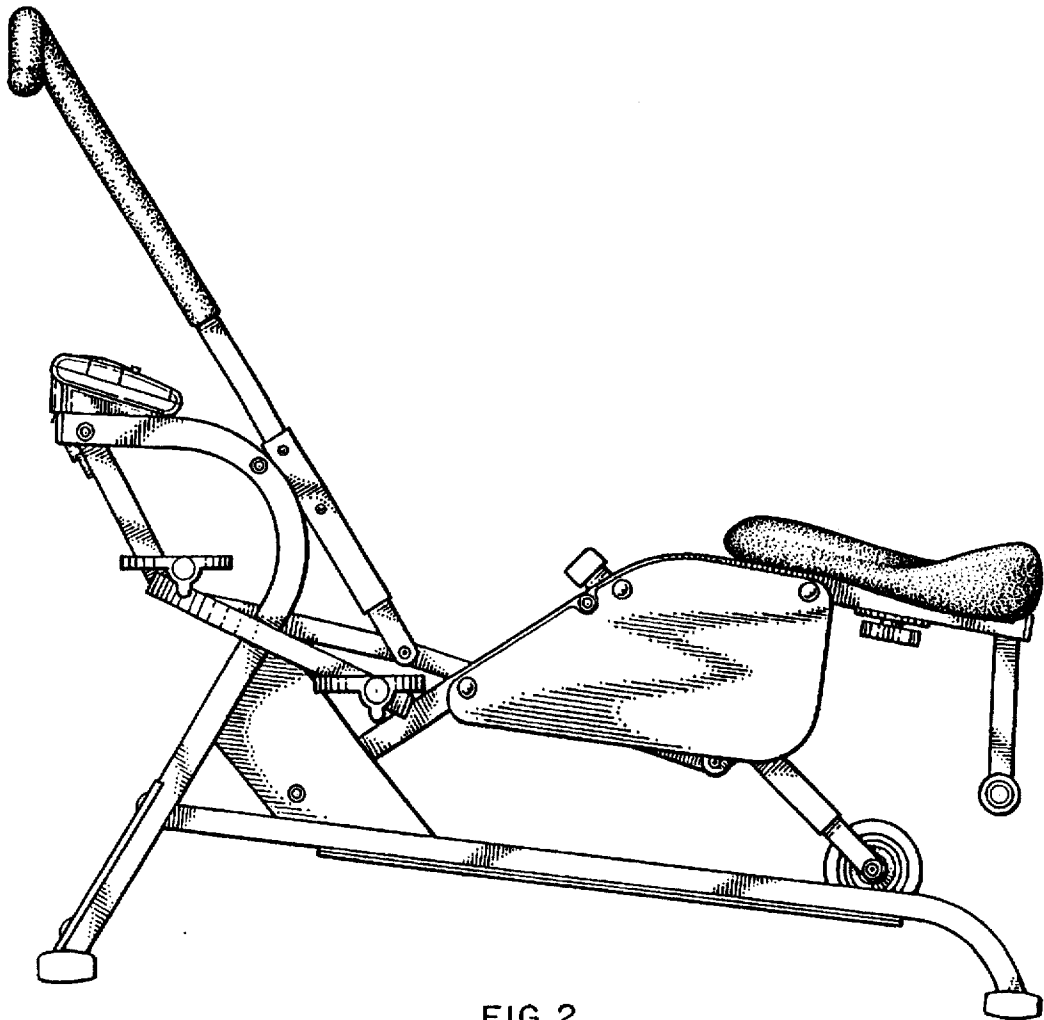


FIG. 2

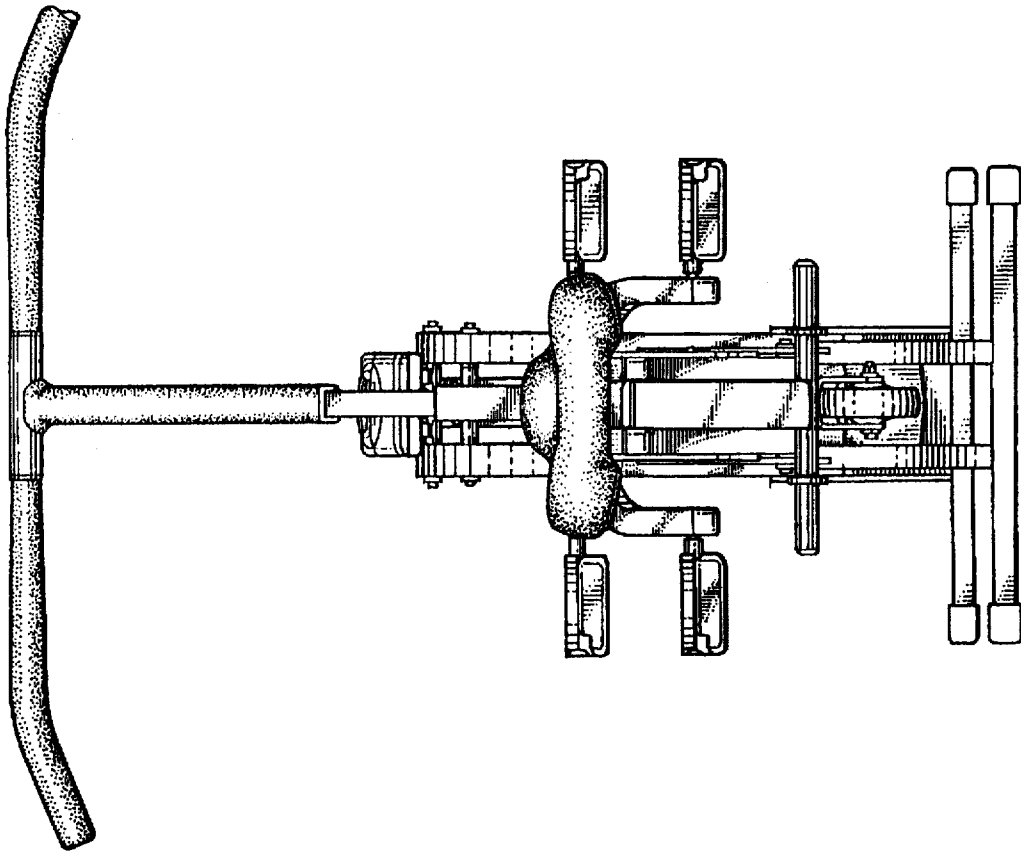


FIG. 6

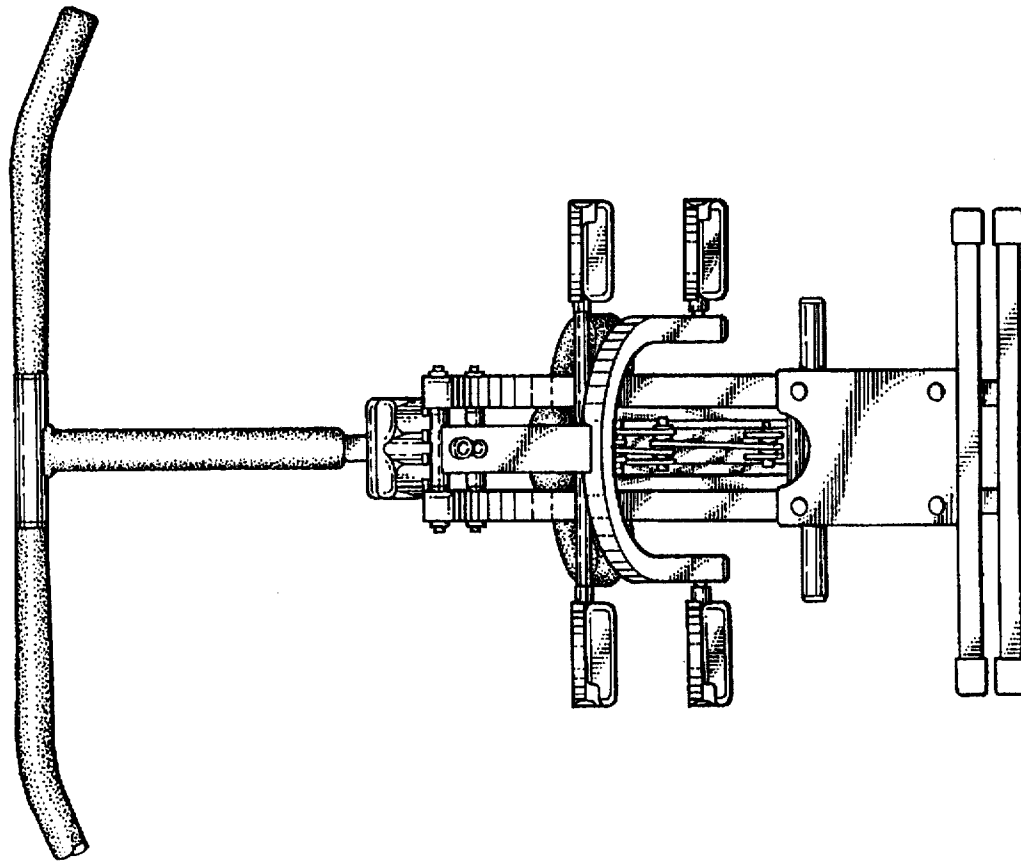


FIG. 5