



US00D786824S

(12) **United States Design Patent**
Hembrey

(10) **Patent No.:** **US D786,824 S**

(45) **Date of Patent:** **** May 16, 2017**

(54) **HEADPHONE**

OTHER PUBLICATIONS

(71) Applicant: **Ooh Mommy LLC**, Manhasset, NY
(US)

<https://www.lilgadgets.com/products/connect> downloaded on Aug. 2, 2016.

(72) Inventor: **Jason L. Hembrey**, Manhasset, NY
(US)

Primary Examiner — Paula Greene

(74) *Attorney, Agent, or Firm* — Myers Wolin, LLC

(73) Assignee: **Ooh Mommy LLC**, Manhasset, NY
(US)

(57)

CLAIM

The ornamental design for headphone, as shown and described.

(**) Term: **15 Years**

DESCRIPTION

(21) Appl. No.: **29/573,090**

(22) Filed: **Aug. 2, 2016**

(51) **LOC (10) Cl.** **14-01**

(52) **U.S. Cl.**
USPC **D14/205**

(58) **Field of Classification Search**

USPC D14/205, 206, 214; D29/112; 2/209;
181/129, 130, 135; 379/430, 431,
379/428.02; 381/330, 370, 382, 378, 379,
381/384, 374, 375, 376, 74
CPC H04R 1/1066; H04R 1/1016; H04R 5/033;
H04R 5/0335; H04R 1/105; H04R 1/10
See application file for complete search history.

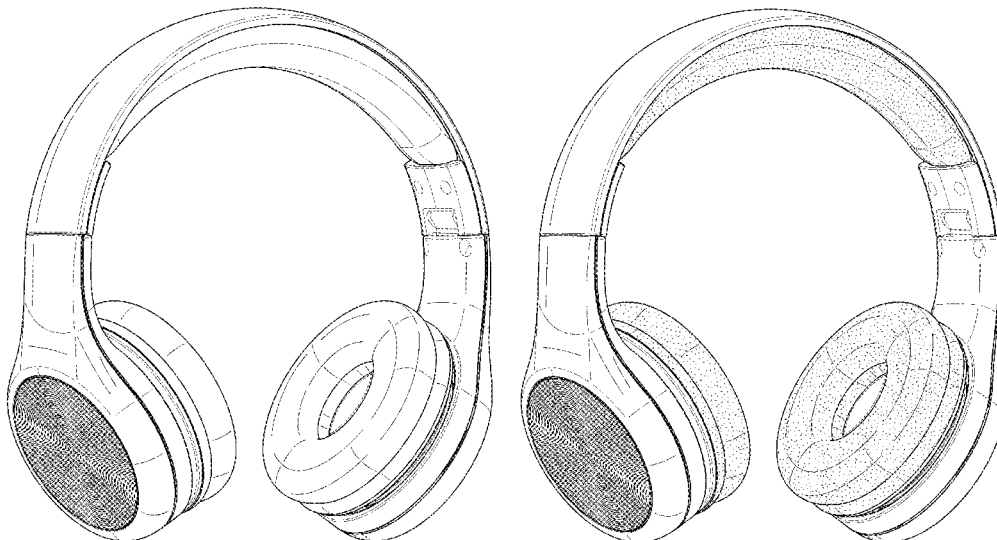
FIG. 1 is a perspective view of one embodiment of head-
phone showing my new design;
FIG. 2 is a front elevation view thereof;
FIG. 3 is a rear elevation view thereof;
FIG. 4 is a right side elevation view thereof, the left side
elevation view being a mirror-image thereof;
FIG. 5 is a right side elevation view thereof with a section
line 6-6 through a portion thereof;
FIG. 6 is a section taken through line 6-6 of FIG. 5;
FIG. 7 is a top view thereof;
FIG. 8 is a bottom view thereof;
FIG. 9 is a front view in an alternate folding configuration;
FIG. 10 is a perspective view of an alternative embodiment
of headphone showing my new design;
FIG. 11 is a front elevation view thereof;
FIG. 12 is a rear elevation view thereof;
FIG. 13 is a right side elevation view thereof, the left side
elevation view being a mirror-image thereof;
FIG. 14 is a right side elevation view thereof with a section
line 15-15 through a portion thereof;
FIG. 15 is a section taken through line 15-15 of FIG. 14;
FIG. 16 is a top view thereof;
FIG. 17 is a bottom view thereof; and,
FIG. 18 is a front view in an alternate folding configuration.
The broken lines depict environment that forms no part of
the claimed design.

(56) **References Cited**

U.S. PATENT DOCUMENTS

1,606,165 A * 11/1926 Glenn H01B 7/04
123/633
2,510,344 A * 6/1950 Law G03B 21/625
359/457
D246,259 S 11/1977 Nishimura
D246,519 S 11/1977 Kato
D254,183 S 2/1980 Doodson
D300,133 S 3/1989 Daidoh
D313,092 S 12/1990 Nilsson
D328,074 S * 7/1992 Yamazaki D14/205
(Continued)

1 Claim, 14 Drawing Sheets



(56)

References Cited

U.S. PATENT DOCUMENTS

D328,461	S *	8/1992	Daido	D14/205	D677,647	S	3/2013	Lee	
D352,036	S	11/1994	Sekita			D678,241	S	3/2013	Lee	
5,406,037	A *	4/1995	Nagano	H04R 5/0335 181/129	D678,859	S	3/2013	Lee	
D359,049	S	6/1995	Kanno			D678,860	S *	3/2013	Hagelin D14/205
D386,181	S	11/1997	Fisher			D683,329	S	5/2013	Hagelin	
D410,466	S	6/1999	Mouri			D683,717	S	6/2013	Kelly	
D420,356	S	2/2000	Suzuki			D684,139	S	6/2013	Miyake	
6,081,604	A *	6/2000	Hikichi	H04R 1/083 381/124	D684,140	S	6/2013	Enquist	
D435,249	S *	12/2000	Yasutomi	D14/205	D684,141	S	6/2013	Takamoto	
D444,140	S	6/2001	Ishibashi			D684,559	S	6/2013	Groset	
D473,539	S	4/2003	O'Leary			D685,345	S	7/2013	Serota	
D476,639	S	7/2003	Bergeron			D685,762	S	7/2013	Nokuo	
D484,485	S *	12/2003	Matsuoka	D14/205	D686,592	S	7/2013	Gondo	
D491,163	S *	6/2004	Green	D14/205	D686,593	S	7/2013	Larsen	
D504,414	S	4/2005	Yoshida			D687,808	S	8/2013	Combs	
D505,411	S	5/2005	Sakai			D690,282	S	9/2013	Lee	
D508,908	S	8/2005	Chueh			D691,109	S	10/2013	Hardi	
6,993,143	B2 *	1/2006	Harris	H04R 5/0335 381/374	D691,579	S	10/2013	Lee	
D534,155	S *	12/2006	Obata	D14/205	D693,791	S	11/2013	Troy	
D534,156	S	12/2006	Obata			D694,217	S	11/2013	Hwang	
D541,255	S *	4/2007	Taylor	D14/205	D695,261	S	12/2013	Katsumata	
D549,688	S	8/2007	Suzuki			D695,263	S	12/2013	Mogili	
D557,684	S	12/2007	Pundsack			D696,226	S	12/2013	Brunner	
D563,382	S *	3/2008	Wikel	D14/205	D696,228	S	12/2013	Miyake	
D567,215	S	4/2008	Lee			D696,643	S	12/2013	Lee	
D571,354	S	6/2008	Ng			D697,495	S	1/2014	Lian	
D573,581	S *	7/2008	Gondo	D14/205	D699,702	S	2/2014	Chen	
D587,683	S	3/2009	Ham			D702,210	S	4/2014	Birger	
D588,098	S *	3/2009	Kurihara	D14/205	D704,675	S	5/2014	Choteau	
D588,100	S	3/2009	Densho			D706,240	S	6/2014	Szymanski	
D592,640	S	5/2009	Tkachuk			D706,241	S	6/2014	Szymanski	
D593,995	S	6/2009	Shimizu			D706,242	S	6/2014	Yang	
D594,847	S *	6/2009	Suzuki	D14/205	D707,200	S	6/2014	Yang	
D609,694	S	2/2010	Komiyama			D707,653	S	6/2014	Hardi	
D620,474	S	7/2010	Komiyama			D707,659	S	6/2014	Henning	
D625,705	S	10/2010	Ohuri			D708,162	S	7/2014	Wenger	
D632,668	S *	2/2011	Brunner	D14/205	D708,163	S	7/2014	Ishikura	
D633,471	S	3/2011	Sugiyama			D708,164	S	7/2014	Ishikura	
D633,896	S	3/2011	Kondo			D710,822	S	8/2014	Gan	
D634,730	S	3/2011	Kitayama			D711,347	S	8/2014	Gan	
D635,957	S	4/2011	Hirano			D712,871	S	9/2014	McNamara	
D635,958	S	4/2011	Ando			D713,374	S	9/2014	Farrage	
D637,176	S	5/2011	Brunner			D714,255	S	9/2014	Sparks	
D639,775	S	6/2011	Horibe			D715,255	S	10/2014	Nunez	
D639,776	S *	6/2011	Arimoto	D14/205	D716,761	S	11/2014	Cho	
8,098,872	B2 *	1/2012	Chang	H04R 1/1075 381/370	D719,134	S	12/2014	Gan	
D654,472	S	2/2012	Fischer			D719,135	S	12/2014	Kelley	
D657,344	S	4/2012	Brunner			D719,136	S *	12/2014	Schaal D14/205
D657,346	S	4/2012	Park			D720,721	S	1/2015	Lu	
D658,158	S	4/2012	Suzuki			D721,052	S *	1/2015	Carr D14/205
D660,823	S *	5/2012	Hardi	D14/205	D721,054	S	1/2015	Lu	
D660,824	S *	5/2012	Hardi	D14/205	D721,055	S	1/2015	Sparks	
D661,685	S	6/2012	Lee			D722,041	S	2/2015	Sparks	
D662,080	S *	6/2012	Carr	D14/205	D722,302	S	2/2015	Lee	
D662,912	S	7/2012	Iijima			D722,589	S	2/2015	Lu	
D663,716	S *	7/2012	Hardi	D14/205	D722,590	S	2/2015	Lu	
D663,717	S	7/2012	Hutchieson			D722,591	S	2/2015	Son	
D664,116	S	7/2012	Hutchieson			D722,998	S	2/2015	Sancho	
D664,118	S	7/2012	Tappeiner			D724,560	S	3/2015	Galler	
D666,990	S	9/2012	Komiyama			D724,562	S	3/2015	Sparks	
D669,450	S	10/2012	Katsumata			D725,074	S	3/2015	Boeckel	
D669,451	S	10/2012	Tappeiner			D725,628	S	3/2015	Tompkin	
D671,914	S *	12/2012	Lee	D14/205	D725,630	S	3/2015	Nakagawa	
D673,136	S *	12/2012	Kelly	D14/205	D727,280	S	4/2015	Levine	
D673,518	S	1/2013	Tan			D727,281	S	4/2015	Levine	
D673,519	S	1/2013	Tan			D727,285	S	4/2015	Galler	
D673,520	S	1/2013	Tan			D727,286	S	4/2015	Galler	
D673,521	S	1/2013	Yoneyama			D727,289	S	4/2015	Czaniecki	
D673,929	S	1/2013	Combs			D728,512	S	5/2015	Nakagawa	
D674,372	S	1/2013	Kelly			D729,194	S *	5/2015	Boeckel D14/205
D677,243	S	3/2013	Kitayama			D729,196	S	5/2015	Liu	
						9,025,806	B2	5/2015	Krissman	
						D732,000	S *	6/2015	Brunner D14/205
						D732,001	S	6/2015	Licht	
						D732,504	S	6/2015	Funayama	
						D733,090	S	6/2015	Petersen	
						D733,092	S	6/2015	Gan	
						D734,296	S	7/2015	Paterson	
						D734,297	S *	7/2015	Sasaki D14/205

(56)

References Cited

U.S. PATENT DOCUMENTS

D735,161 S	7/2015	Sparks	D755,753 S	5/2016	Nakagawa	
D735,691 S	8/2015	Sparks	D757,680 S	5/2016	Kelly	
D735,692 S	8/2015	Bremyer	D758,337 S	6/2016	Szymanski	
D736,176 S	8/2015	Rapitsch	D758,338 S	6/2016	Szymanski	
D737,799 S	9/2015	Carr	D758,990 S	6/2016	Jiang	
D737,821 S	9/2015	Cho	D758,991 S	6/2016	Petersén	
D738,350 S	9/2015	Brunner	D759,626 S	6/2016	Wagner	
D738,850 S	9/2015	Chung	D760,687 S	7/2016	Brunner	
D739,378 S	9/2015	Chung	D761,761 S	7/2016	Ando	
D739,842 S	9/2015	Birger	D763,226 S	8/2016	Petersén	
D740,254 S	10/2015	Huang	D765,055 S	8/2016	Hsieh	
D741,288 S	10/2015	Galler	D765,056 S	8/2016	Yang	
D741,289 S	10/2015	Schaal	D766,870 S	9/2016	Catalano	
D741,290 S	10/2015	Schaal	D767,531 S	9/2016	Szymanski	
D742,357 S	11/2015	Chung	D768,110 S	10/2016	Suzuki	
D746,790 S	1/2016	Strasberg	D768,111 S	10/2016	Nam	
D746,791 S	1/2016	Yuen	D769,840 S	10/2016	Henning	
D747,290 S	1/2016	Lee	D773,438 S	12/2016	Walker	
D747,291 S	1/2016	Lee	D776,081 S	1/2017	Willman	
D750,039 S	2/2016	Ahn	2005/0053255 A1 *	3/2005	Harris	H04R 5/0335
D750,041 S	2/2016	Birger	2014/0254854 A1 *	9/2014	Blonder	381/379
						H04R 1/1066
						381/371

* cited by examiner



FIG. 1



FIG. 2



FIG. 3

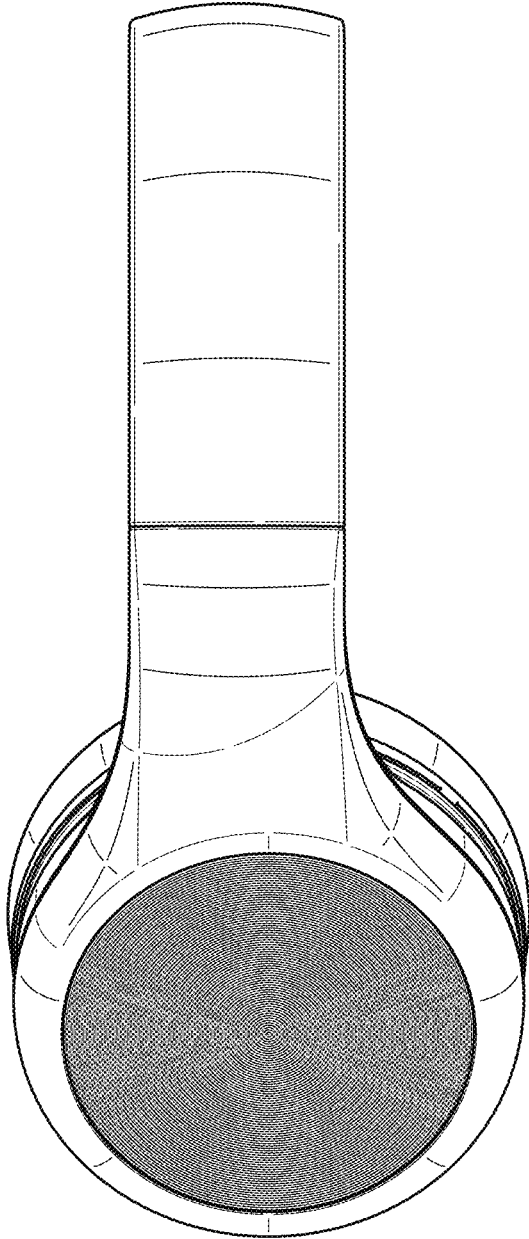


FIG. 4

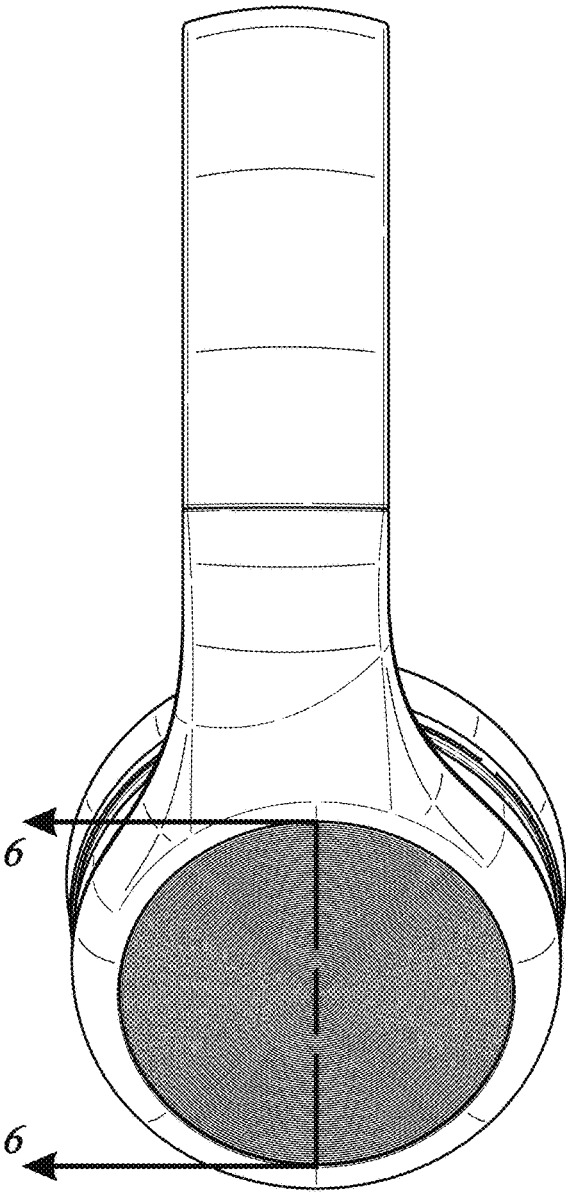


FIG. 5



FIG. 6

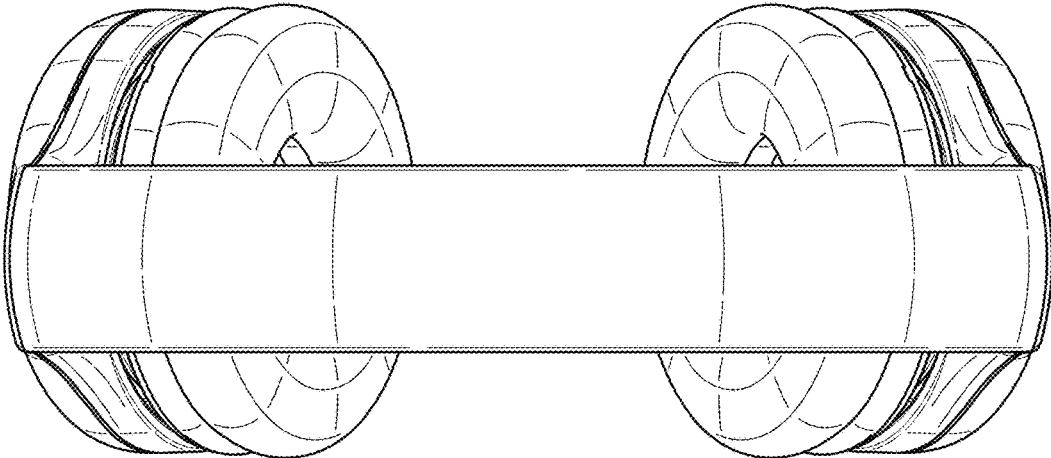


FIG. 7

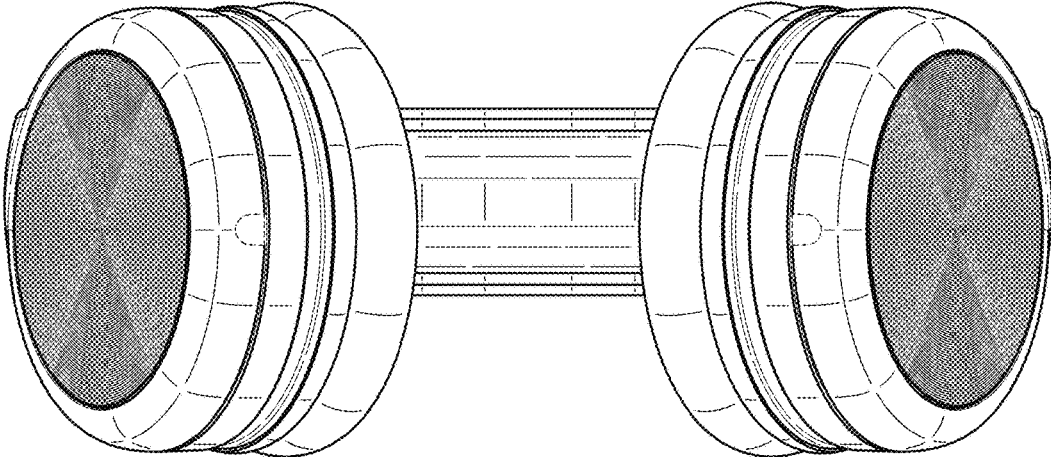


FIG. 8

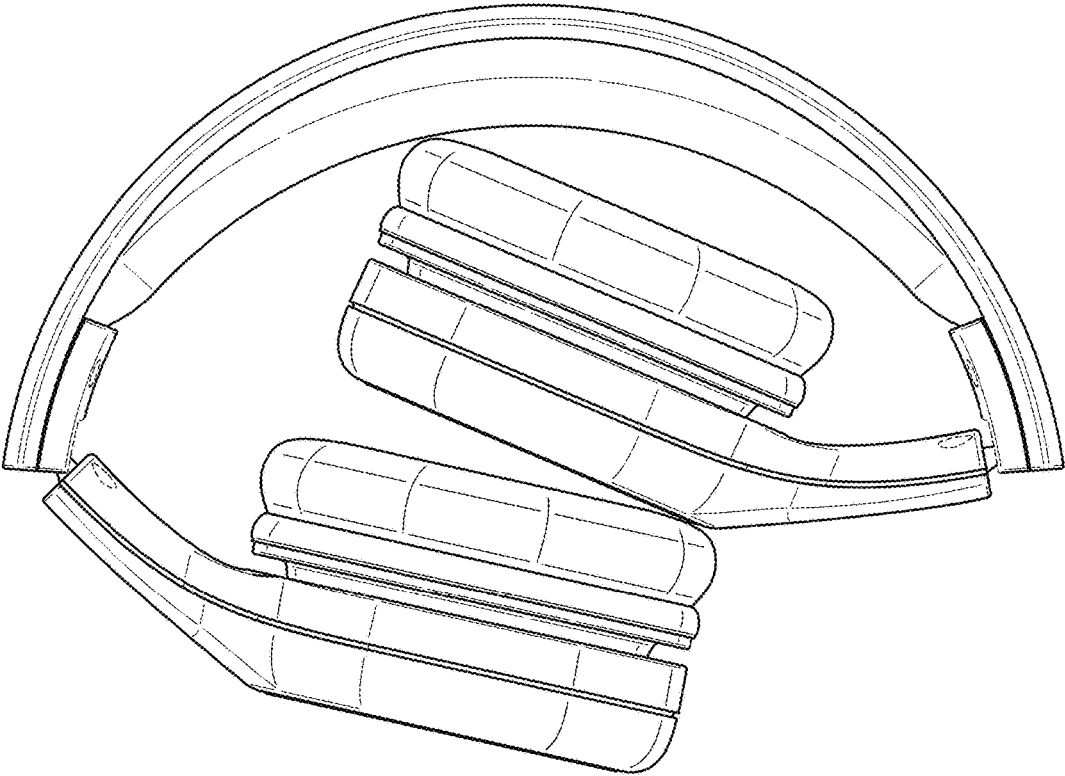


FIG. 9



FIG. 10

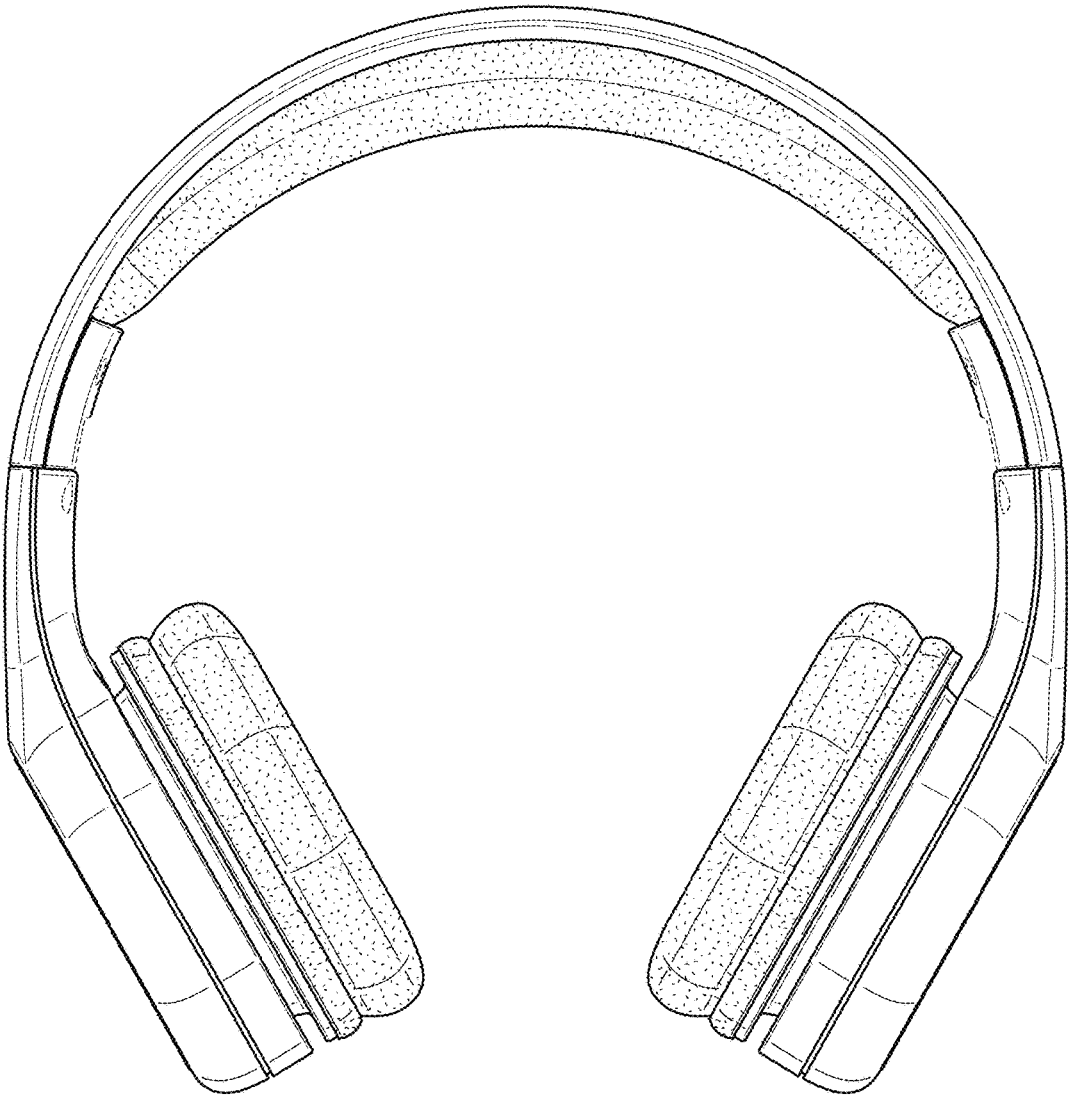


FIG. 11

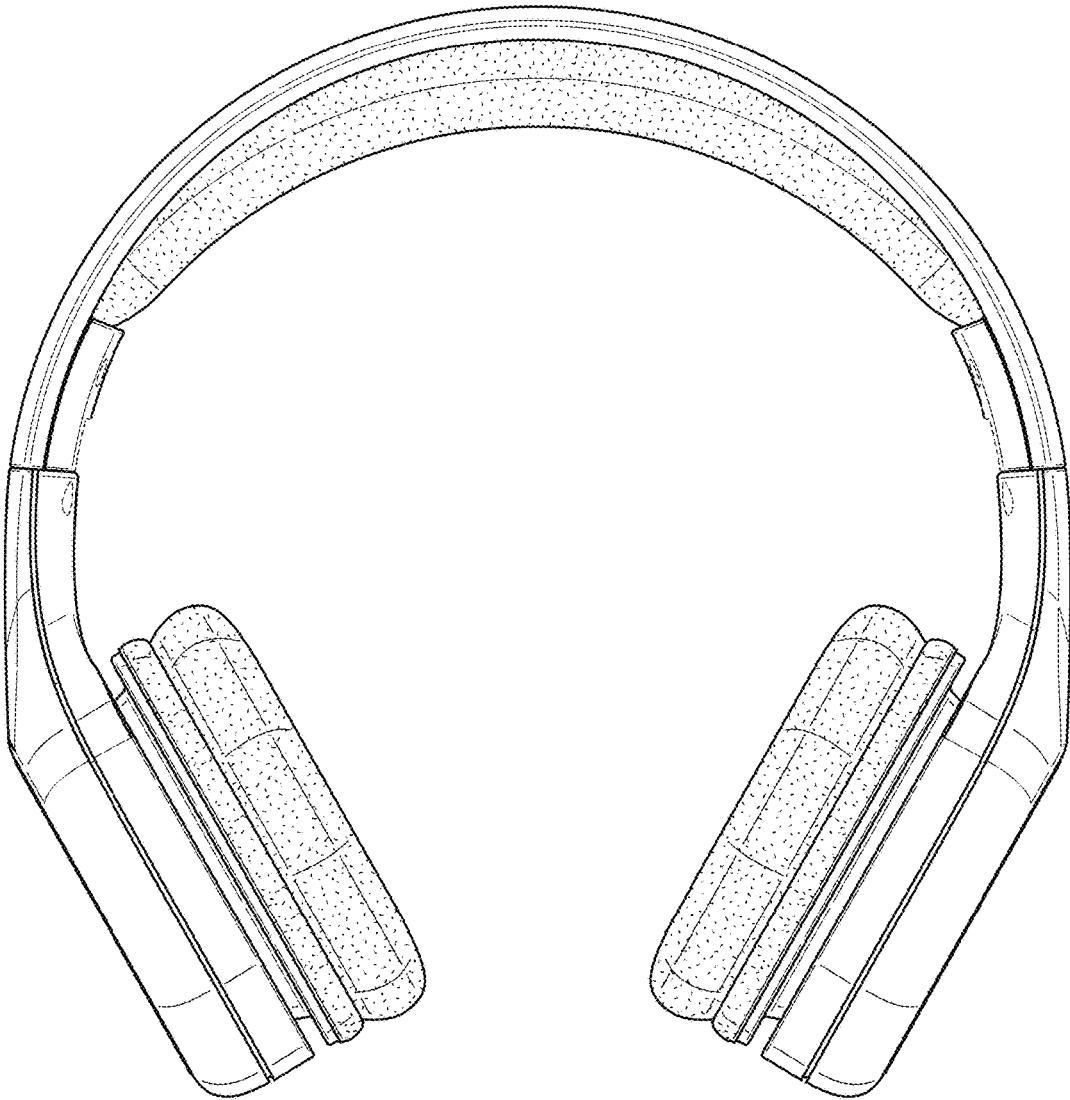


FIG. 12

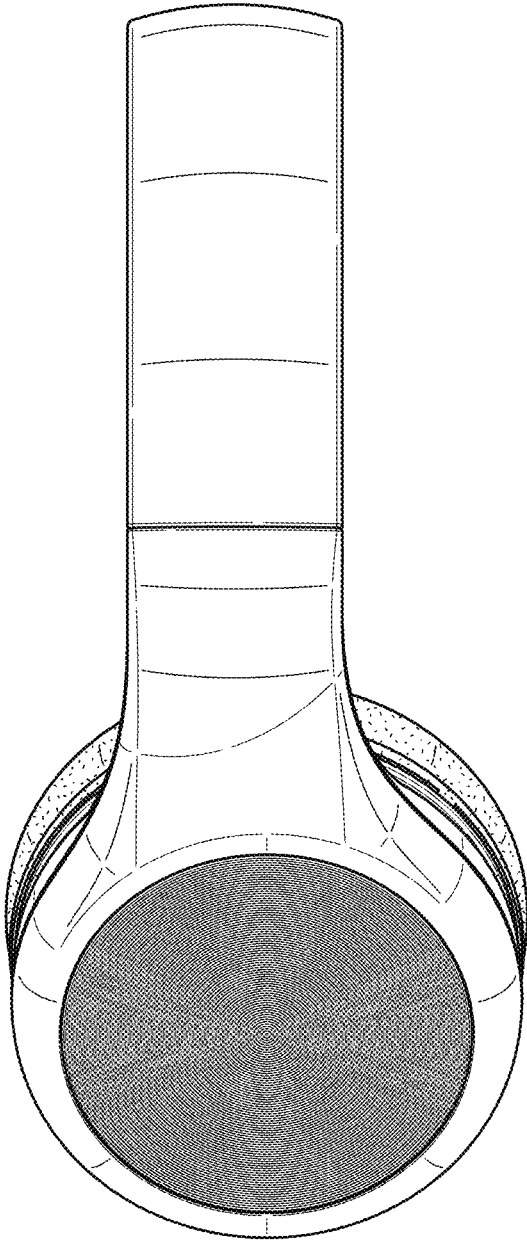


FIG. 13

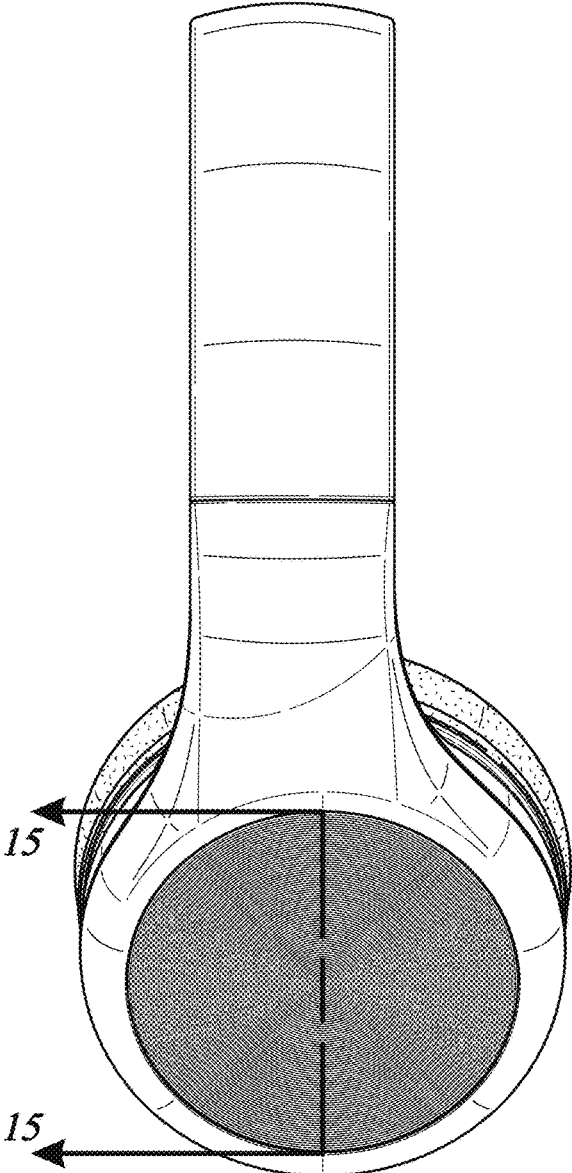


FIG. 14



FIG. 15

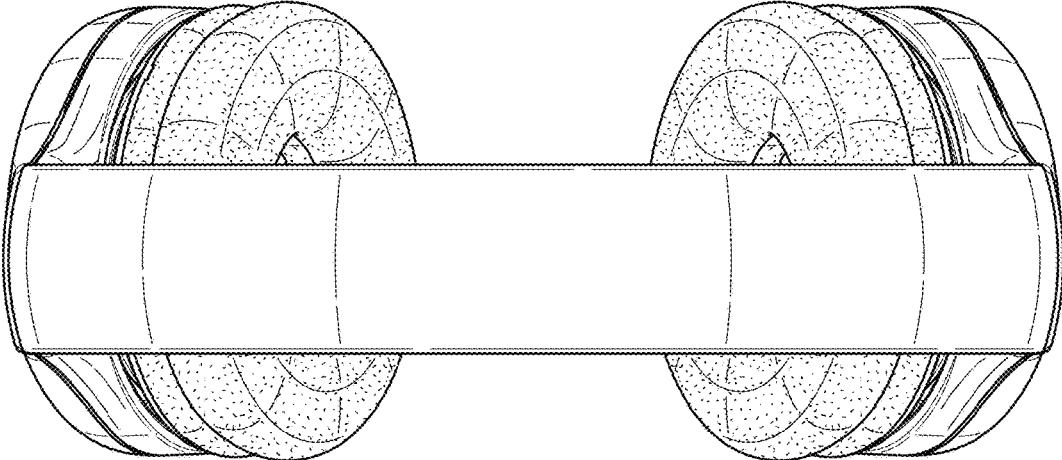


FIG. 16

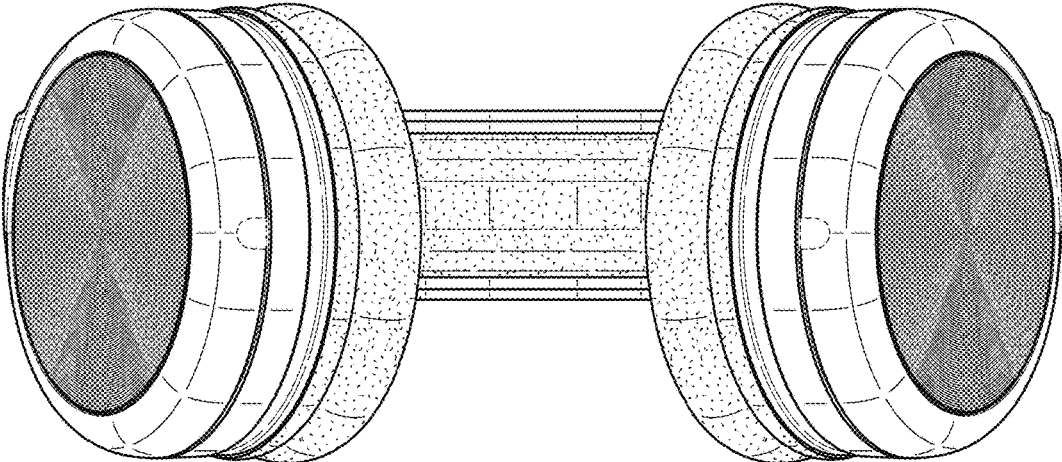


FIG. 17

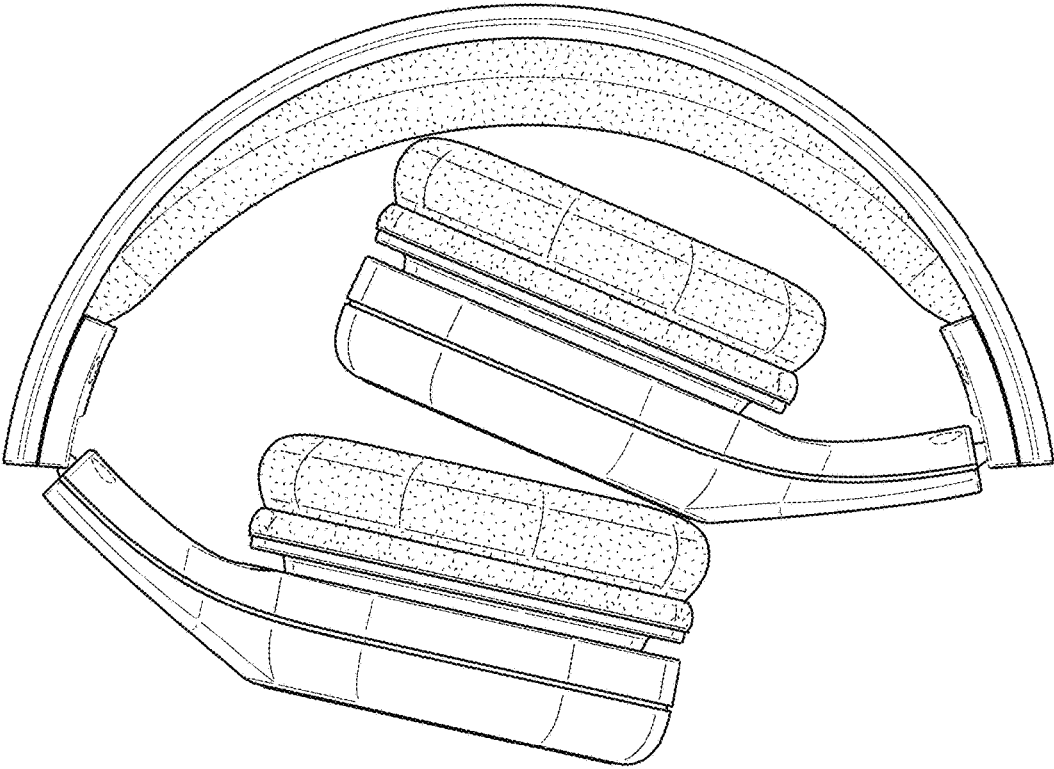


FIG. 18