

(19) World Intellectual Property Organization
International Bureau



(43) International Publication Date
16 July 2009 (16.07.2009)

PCT

(10) International Publication Number
WO 2009/088739 A1

(51) International Patent Classification:
H04L 1/00 (2006.01)

(21) International Application Number:
PCT/US2008/087965

(22) International Filing Date:
22 December 2008 (22.12.2008)

(25) Filing Language: English

(26) Publication Language: English

(30) Priority Data:
61/018,505 2 January 2008 (02.01.2008) US

(71) Applicant (for all designated States except US): **INTER-DIGITAL PATENT HOLDINGS, INC.** [US/US]; 3411 Silverside Road, Concord Plaza, Suite 105, Hagley Building, Wilmington, Delaware 19810 (US).

(72) Inventors; and

(75) Inventors/Applicants (for US only): **WANG, Jin** [CN/US]; 34 Fairlawn Drive, Central Islip, New York 11722 (US). **BALA, Erdem** [TR/US]; 17 Hallock Street, Floor #2, Farmingdale, New York 11735 (US).

(74) Agent: **COHEN, Matthew, I.**; Volpe and Koenig, P.C., United Plaza, Suite 1600, 30 South 17th Street, Philadelphia, Pennsylvania 19103 (US).

(81) Designated States (unless otherwise indicated, for every kind of national protection available): AE, AG, AL, AM, AO, AT, AU, AZ, BA, BB, BG, BH, BR, BW, BY, BZ, CA, CH, CN, CO, CR, CU, CZ, DE, DK, DM, DO, DZ, EC, EE, EG, ES, FI, GB, GD, GE, GH, GM, GT, HN, HR, HU, ID, IL, IN, IS, JP, KE, KG, KM, KN, KP, KR, KZ, LA, LC, LK, LR, LS, LT, LU, LY, MA, MD, ME, MG, MK, MN, MW, MX, MY, MZ, NA, NG, NI, NO, NZ, OM, PG, PH, PL, PT, RO, RS, RU, SC, SD, SE, SG, SK, SL, SM, ST, SV, SY, TJ, TM, TN, TR, TT, TZ, UA, UG, US, UZ, VC, VN, ZA, ZM, ZW.

(84) Designated States (unless otherwise indicated, for every kind of regional protection available): ARIPO (BW, GH, GM, KE, LS, MW, MZ, NA, SD, SL, SZ, TZ, UG, ZM, ZW), Eurasian (AM, AZ, BY, KG, KZ, MD, RU, TJ, TM), European (AT, BE, BG, CH, CY, CZ, DE, DK, EE, ES, FI, FR, GB, GR, HR, HU, IE, IS, IT, LT, LU, LV, MC, MT, NL, NO, PL, PT, RO, SE, SI, SK, TR), OAPI (BF, BJ, CF, CG, CI, CM, GA, GN, GQ, GW, ML, MR, NE, SN, TD, TG).

Published:
— with international search report

[Continued on next page]

(54) Title: CONFIGURATION FOR CQI REPORTING IN LTE

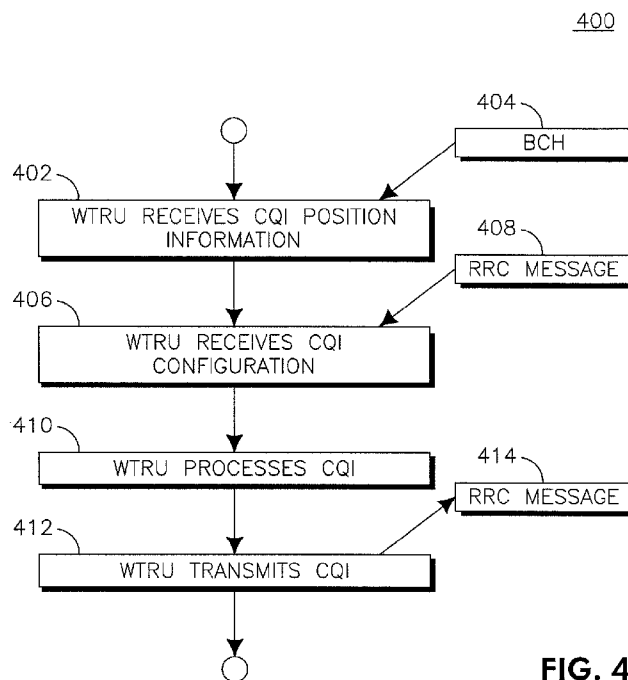


FIG. 4

(57) Abstract: A method and apparatus for receiving and processing channel quality index (CQI) reporting. A wireless transmit receive unit is configured to receive CQI configuration information and transmit a CQI report based on the CQI configuration information.

WO 2009/088739 A1



-
- *before the expiration of the time limit for amending the claims and to be republished in the event of receipt of amendments*

[0001] CONFIGURATION FOR CQI REPORTING IN LTE

[0002] FIELD OF THE INVENTION

[0003] The present disclosure is related to wireless communication systems.

[0004] BACKGROUND

[0005] The Third Generation Partnership Project (3GPP) has initiated the Long Term Evolution (LTE) program to bring new technology, new network architectures, new configurations and new applications and services to wireless networks in order to provide improved spectral efficiency and faster user experiences.

[0006] In LTE, a wireless transmit receive unit (WTRU) may communicate with an eNodeB (eNB). The WTRU may send the eNB certain feedback to give the eNB an indication of the quality of the channel across which the WTRU and eNB are communicating. One particular type of feedback is a channel quality index (CQI) report (hereinafter "CQI"). CQI may be transmitted by the WTRU on a periodic basis or an aperiodic basis. A periodic CQI may be transmitted on the physical uplink control channel (PUCCH) or the physical uplink shared channel (PUSCH). An aperiodic CQI may be transmitted only on the PUSCH.

[0007] Three different types of CQI's can be transmitted by a WTRU. A wideband type CQI provides channel quality information of an entire system bandwidth of a cell. A multiband type CQI provides channel quality information for a subset of system bandwidth of the cell. There is also a CQI for multiple input/multiple output (MIMO) type systems.

[0008] An LTE compliant WTRU may use PUCCH and PUSCH resources for transmitting CQI. The WTRU may send the CQI on the PUCCH as long as the WTRU maintains synchronization. An eNB may configure the WTRU to transmit wideband or narrowband reports.

[0009] SUMMARY

[0010] A method and apparatus are disclosed for a WTRU to receive and process CQI reporting configuration information. The WTRU may be configured to receive CQI configuration information and transmit a CQI report based on the CQI configuration information. The configuration information may be received by the WTRU in a radio resource control (RRC) message. The WTRU may receive information elements (IEs) that include specific configuration information.

[0011] BRIEF DESCRIPTION OF THE DRAWING

[0012] A more detailed understanding may be had from the following description, given by way of example and to be understood in conjunction with the accompanying drawings wherein:

[0013] Figure 1 shows an example wireless communication system including a plurality of wireless transmit/receive units (WTRUs) and an eNodeB in accordance with one embodiment;

[0014] Figure 2 is a functional block diagram of a WTRU and the eNodeB of Figure 1 in accordance with one embodiment;

[0015] Figure 3 is a signal diagram of a random access channel (RACH) process in accordance with one embodiment; and

[0016] Figure 4 is a flow diagram of a method of CQI reporting in accordance with one embodiment.

[0017] DETAILED DESCRIPTION

[0018] When referred to hereafter, the terminology "wireless transmit/receive unit (WTRU)" includes but is not limited to a user equipment (UE), a mobile station, a fixed or mobile subscriber unit, a pager, a cellular telephone, a personal digital assistant (PDA), a computer, or any other type of user device capable of operating in a wireless environment. When referred to hereafter, the terminology "base station" includes but is not limited to a

Node-B, a site controller, an access point (AP), or any other type of interfacing device capable of operating in a wireless environment.

[0019] Figure 1 shows a wireless communication system 100 including a plurality of WTRUs 110 and an eNodeB (eNB) 120. As shown in Figure 1, the WTRUs 110 are in communication with the eNB 120. Although three WTRUs 110 and one eNB 120 are shown in Figure 1, it should be noted that any combination of wireless and wired devices may be included in the wireless communication system 100.

[0020] Figure 2 is a functional block diagram 200 of a WTRU 110 and the base station 120 of the wireless communication system 100 of Figure 1. As shown in Figure 1, the WTRU 110 is in communication with the eNB 120. The WTRU 110 is configured to receive instructions and parameters for feedback reporting, including, for example, a CQI, from the eNB 120. The eNB 120 may be configured to transmit, and the WTRU 110 configured to receive and monitor signals on the broadcast channel (BCH). The WTRU 110 may also be configured to receive messages on the BCH, measure CQI, and transmit CQI reports to the eNB (120). The WTRU 110 may transmit on any uplink channel, such as a RACH, for example. The WTRU 110 may be configured to transmit and receive radio resource control (RRC) messages and layer 1 (L1) messages.

[0021] In addition to the components that may be found in a typical WTRU, the WTRU 110 includes a processor 215, a receiver 216, a transmitter 217, and an antenna 218. The WTRU 110 may also include a user interface 221, which may include, but is not limited to, an LCD or LED screen, a touch screen, a keyboard, a stylus, or any other typical input/output device. The WTRU 110 may also include memory 219, both volatile and non-volatile, as well as interfaces 220 to other devices, such as universal serial bus (USB) ports, serial ports and the like. The receiver 216 and the transmitter 217 are in communication with the processor 215. The antenna 218 is in communication with both the receiver 216 and the transmitter 217 to facilitate the transmission and reception of wireless data.

[0022] In addition to the components that may be found in a typical eNB, the eNB 120 includes a processor 225, a receiver 226, a transmitter 227, and an antenna 228. The receiver 226 and the transmitter 227 are in communication with the processor 225. The antenna 228 is in communication with both the receiver 226 and the transmitter 227 to facilitate the transmission and reception of wireless data.

[0023] When a WTRU begins communicating with an eNB, it may access a shared uplink channel, such as the random access channel. Accessing the RACH is a process that includes multiple messaging between a WTRU and an eNB. This is because the RACH is contentious, and many WTRUs may be attempting to use the RACH at the same time. Figure 3 shows a RACH process 300 in accordance with one embodiment. The RACH process 300 includes a WTRU (110 of Fig. 1) and an eNB (120 of Fig. 1) communicating four (4) messages to each other. Message 1 (302) is a RACH preamble transmitted by the WTRU. Message 2 (304) is the RACH response, transmitted by the eNB. Message 3 (306) is the RACH scheduled transmission, and message 4 (308) is the contention resolution.

[0024] A CQI may be configured during the RACH process 300. The configuration information may be in RACH message 2 (304) or RACH message 4 (308). RACH message 4 (308) can include a relatively large amount of information as compared to the other three messages (302, 304, 306). After the RACH process 300, the WTRU may be reconfigured for either periodic or aperiodic CQI reporting.

[0025] A WTRU may receive instructions and parameters to configure a CQI during the RACH process or in an RRC message after the RACH process. CQI report configuration may include, for example, specification of the radio resource and type of CQI report.

[0026] A WTRU may require information as to where the CQI report configuration information may be found. The WTRU may receive a broadcast message from an eNB that may include an indication of where the WTRU may look for CQI report configuration information. For example, a broadcast

message may include an indication that the WTRU should monitor the RACH to find CQI report configuration information. Alternatively, the broadcast message may include an indication that that the WTRU should receive CQI report configuration information in a radio resource control (RRC) message.

[0027] The CQI configuration indication may be found in a downlink channel such as the primary broadcast channel (P-BCH) or the dynamic broadcast channel (D-BCH). The indicator may be as small as one (1) bit. For example, a single bit value of 1 may indicate that the WTRU should use the RACH, and a single bit value of 0 may indicate that the WTRU should use RRC messaging. The location of this indication in the broadcast message may be specified in advance.

[0028] A CQI report may include, for example, a number indicating a CQI reporting process, a process ID and a set that includes the total number sub-bands being measured. The set may be denoted as S . The set S may be configured by an eNB. The CQI computations by the WTRU may be done on the set S .

[0029] The eNB may configure the CQI report type to be, for example, wideband or selected sub-band. The WTRU may receive an information element (IE) that includes periodic CQI report formatting information. For wideband CQI reporting, a single CQI report is transmitted that may be measured across all the sub-bands in a set S . For selected sub-band CQI reporting, a CQI report may be transmitted that is measured across a subset of set S . The sub-bands selected by the WTRU may be, for example, the sub-bands with the largest signal-to-noise ratio among the sub-bands in set S . This type of CQI reporting is generally reported on the PUSCH. Alternatively, a MIMO type CQI report may include a CQI report for each codeword.

[0030] The CQI report may also include a CQI report type. The report type may be represented by, for example, three (3) bits, when there are up to six possible report types. For example, 000 may represent wideband reporting, 001 may represent selected sub-band reporting, and 110 may represent all

sub-band reporting. If more than six (6) possible report types are available, four (4) for more bits may be used.

[0031] For CQI transmitted by the WTRU on the PUCCH, the eNB may indicate if the WTRU is to use wideband CQI or frequency selective CQI. If using frequency selective CQI, the WTRU may select the sub-bands used for measurement. The selection of the measured sub-bands may be an implicit function of a time index.

[0032] For CQI transmitted by the WTRU on the PUSCH, the eNB may signal one of three (3) possible CQI types that the WTRU may use. The eNB may signal that the WTRU may use wideband CQI, selected sub-band CQI or eNB configured CQI.

[0033] If selected sub-band CQI is to be configured by the eNB, a compressed label scheme may be used. In this approach, a parameter M may be configured by the eNB, where M is an integer value. M may be smaller than the total number of values the WTRU may use for CQI, and may be used to limit the number of values used by the WTRU for CQI.

[0034] If the eNB instructs the WTRU to use eNB configured CQI reporting, the eNB may indicate a differential compression method to be used by the WTRU. The reported CQI value may be a differential with respect to a reference value, such as computing a wideband CQI differentially with respect to neighbouring sub-bands, for example.

[0035] Figure 4 is a flow diagram of a method of CQI reporting 400 in accordance with one embodiment. At step 402 a WTRU may receive CQI position information that includes where the CQI configuration information may be found by the WTRU. This position information may be transmitted on a shared downlink channel, such as a broadcast channel 404, for example. At step 406, the WTRU may receive the CQI configuration information. This may be located in an RRC message 408. At step 410, the WTRU processes the configuration information, measures for CQI and processes a CQI report. The format of the report may be based on the configuration information. At step

412, the WTRU may transmit the CQI report. The CQI report may be transmitted in an RRC message 414, for example.

[0036] Resource allocation may implicitly indicate whether the PUCCH or the PUSCH will be used for CQI reporting. An uplink (UL) resource allocation for CQI reporting may include time, frequency, code resource, duration, periodicity, and start time. The duration may be specified for periodic CQI reporting and the start time may be based on a system frame number (SFN). The resource allocation may be received by the WTRU in an IE. If a MIMO type CQI is requested by the eNB, the eNB may indicate the configuration information for each codeword to the WTRU.

[0037] CQI reporting may be reconfigured during operation of a WTRU. The reconfiguration may include, for example, an eNB configuring and/or reconfiguring certain CQI reporting parameters or extending a CQI report before it expires. In addition to using RRC for reconfiguration for CQI reporting, a medium access control (MAC) control protocol data unit (PDU) can also be used.

[0038] If the MAC control PDU is to be used for CQI reporting reconfiguration, then one (1) bit can be used in the MAC control PDU header to indicate if CQI reporting reconfiguration is included in the MAC control PDU.

[0039] If a specific MAC control PDU is used for CQI reporting, then indication of the CQI reporting MAC control PDU may be placed at the beginning of the PDU and the number of bits used as an indicator may depend on how many different MAC control PDUs exist. For example, if less than 32 different MAC control PDUs exist, then five bits are enough to indicate if this is a CQI reporting reconfiguration.

[0040] The position of all information elements for CQI reporting reconfiguration in the MAC control PDU may be fixed prior to the WTRU starting operation so that the WTRU knows what each element represents.

[0041] The configuration for aperiodic CQI reporting may be transmitted by the eNB to the WTRU when a trigger is received by the eNB. The trigger

for aperiodic CQI reporting from the eNB can be a one (1) bit indication. Alternatively, the request can be embedded into codewords in an uplink grant. The eNB may allocate the uplink grant for the WTRU so that the radio resource is available in an uplink shared channel. The configuration message can be RRC, MAC, or layer 1 (L1) control signaling, for example.

[0042] The eNB may signal to a WTRU which CQI report type will be used for aperiodic CQI reporting. A single PUSCH sub-frame type report may include a set of CQI values, each of which corresponds to a set of sub-bands. The single PUSCH sub-frame type report may alternatively include a sub-band specific CQI for all sub-bands or a CQI value averaged over multiple sub-bands.

[0043] For aperiodic CQI reporting, the eNB may configure the PUSCH resource based on the type of aperiodic CQI report. The control information sent by the eNB may include, for example, the radio frame, timeslot, frequency band, and possible code resource on the PUSCH for aperiodic CQI reporting.

[0044] EMBODIMENTS

[0045] 1. A method of channel quality index (CQI) reporting in a wireless transmit receive unit (WTRU), the method comprising the WTRU receiving CQI position information in a broadcast message as to a position of CQI configuration information, the WTRU receiving the CQI configuration information in a RRC message, the WTRU processing a CQI report based on the CQI configuration information, and the WTRU transmitting the CQI report.

[0046] 2. The method as in embodiment 1 further comprising the WTRU receiving the CQI position information in a downlink channel in a single bit, and the WTRU reading the single bit to determine the position of the configuration information.

[0047] 3. The method as in embodiment 1 or 2 further comprising the WTRU receiving CQI configuration information in an information element (IE).

- [0048] 4. The method as in embodiment 3 wherein the information element includes uplink channel resource information.
- [0049] 5. The method as in embodiment 4 wherein the uplink channel resource information includes time, frequency, code resource and duration of a periodic CQI.
- [0050] 6. The method as in embodiment 3 or 4 wherein the information element includes CQI reporting periodicity information.
- [0051] 7. The method as in any one of embodiments 3-6 wherein the information element includes CQI frame number information.
- [0052] 8. The method as in any one of embodiments 3-7 wherein the information element includes periodic CQI format information.
- [0053] 9. The method as in any one of embodiments 3-8 wherein the information element includes a CQI type.
- [0054] 10. A wireless transmit receive unit (WTRU) configured to report a channel quality index (CQI), the WTRU comprising a receiver configured to receive CQI position information in a broadcast message and CQI configuration information in a radio resource control (RRC) message, a processor configured to process a CQI report based on the CQI configuration information and a transmitter configured to transmit the CQI report.
- [0055] 11. The WTRU as in embodiment 10 wherein the receiver is further configured to receive the CQI position information in a downlink channel in a single bit, and the processor is further configured to read a single bit to determine the position of the configuration information.
- [0056] 12. The WTRU as in embodiment 10 or 11 wherein the receiver is further configured to receive CQI configuration information in an information element (IE).
- [0057] 13. The WTRU as in embodiment 12 wherein the information element includes uplink channel resource information.
- [0058] 14. The WTRU as in embodiment 13 wherein the uplink channel resource information includes time, frequency, code resource and duration of a periodic CQI.

[0059] 15. The WTRU as in any one of embodiments 12-14 wherein the information element includes CQI reporting periodicity information.

[0060] 16. The WTRU as in any one of embodiments 12-15 wherein the information element includes CQI frame number information.

[0061] 17. The WTRU as in any one of embodiments 12-16 wherein the information element includes periodic CQI format information.

[0062] 18. The WTRU as in any one of embodiments 12-17 wherein the information element includes a CQI type.

[0063] 19. The WTRU as any one of embodiments 10-18 wherein the processor is further configured to process a differential CQI.

[0064] 20. The WTRU as in any one of embodiments 10-19 wherein the processor is further configured to process a selected sub-band CQI using a compressed label scheme.

[0065] Although the features and elements are described in particular combinations, each feature or element can be used alone without the other features and elements or in various combinations with or without other features and elements. The methods or flow charts provided herein may be implemented in a computer program, software, or firmware tangibly embodied in a computer-readable storage medium for execution by a general purpose computer or a processor. Examples of computer-readable storage mediums include a read only memory (ROM), a random access memory (RAM), a register, cache memory, semiconductor memory devices, magnetic media such as internal hard disks and removable disks, magneto-optical media, and optical media such as CD-ROM disks, and digital versatile disks (DVDs).

[0066] Suitable processors include, by way of example, a general purpose processor, a special purpose processor, a conventional processor, a digital signal processor (DSP), a plurality of microprocessors, one or more microprocessors in association with a DSP core, a controller, a microcontroller, Application Specific Integrated Circuits (ASICs), Field Programmable Gate Arrays (FPGAs) circuits, any other type of integrated circuit (IC), and/or a state machine.

[0067] A processor in association with software may be used to implement a radio frequency transceiver for use in a wireless transmit receive unit (WTRU), user equipment (UE), terminal, base station, radio network controller (RNC), or any host computer. The WTRU may be used in conjunction with modules, implemented in hardware and/or software, such as a camera, a video camera module, a videophone, a speakerphone, a vibration device, a speaker, a microphone, a television transceiver, a hands free headset, a keyboard, a Bluetooth® module, a frequency modulated (FM) radio unit, a liquid crystal display (LCD) display unit, an organic light-emitting diode (OLED) display unit, a digital music player, a media player, a video game player module, an Internet browser, and/or any wireless local area network (WLAN) module.

* * *

CLAIMS

What is claimed is:

1. A method of channel quality index (CQI) reporting in a wireless transmit receive unit (WTRU), the method comprising:
 - the WTRU receiving CQI position information in a broadcast message as to a position of CQI configuration information;
 - the WTRU receiving the CQI configuration information in a RRC message;
 - the WTRU processing a CQI report based on the CQI configuration information; and
 - the WTRU transmitting the CQI report.
2. The method as in claim 1 further comprising:
 - the WTRU receiving the CQI position information in a downlink channel in a single bit; and
 - the WTRU reading the single bit to determine the position of the configuration information.
3. The method as in claim 1 further comprising the WTRU receiving CQI configuration information in an information element (IE).
4. The method as in claim 3 wherein the information element includes uplink channel resource information.
5. The method as in claim 4 wherein the uplink channel resource information includes time, frequency, code resource and duration of a periodic CQI.
6. The method as in claim 3 wherein the information element includes CQI reporting periodicity information.

7. The method as in claim 3 wherein the information element includes CQI frame number information.
8. The method as in claim 3 wherein the information element includes periodic CQI format information.
9. The method as in claim 3 wherein the information element includes a CQI type.
10. A wireless transmit receive unit (WTRU) configured to report a channel quality index (CQI), the WTRU comprising:
 - a receiver configured to receive CQI position information in a broadcast message and CQI configuration information in a radio resource control (RRC) message;
 - a processor configured to process a CQI report based on the CQI configuration information; and
 - a transmitter configured to transmit the CQI report.
11. The WTRU as in claim 10 wherein:
 - the receiver is further configured to receive the CQI position information in a downlink channel in a single bit; and
 - the processor is further configured to read a single bit to determine the position of the configuration information.
12. The WTRU as in claim 10 wherein the receiver is further configured to receive CQI configuration information in an information element (IE).
13. The WTRU as in claim 12 wherein the information element includes uplink channel resource information.

14. The WTRU as in claim 13 wherein the uplink channel resource information includes time, frequency, code resource and duration of a periodic CQI.
15. The WTRU as in claim 12 wherein the information element includes CQI reporting periodicity information.
16. The WTRU as in claim 12 wherein the information element includes CQI frame number information.
17. The WTRU as in claim 12 wherein the information element includes periodic CQI format information.
18. The WTRU as in claim 12 wherein the information element includes a CQI type.
19. The WTRU as claim 10 wherein the processor is further configured to process a differential CQI.
20. The WTRU as in claim 10 wherein the processor is further configured to process a selected sub-band CQI using a compressed label scheme.

+

100

1/4

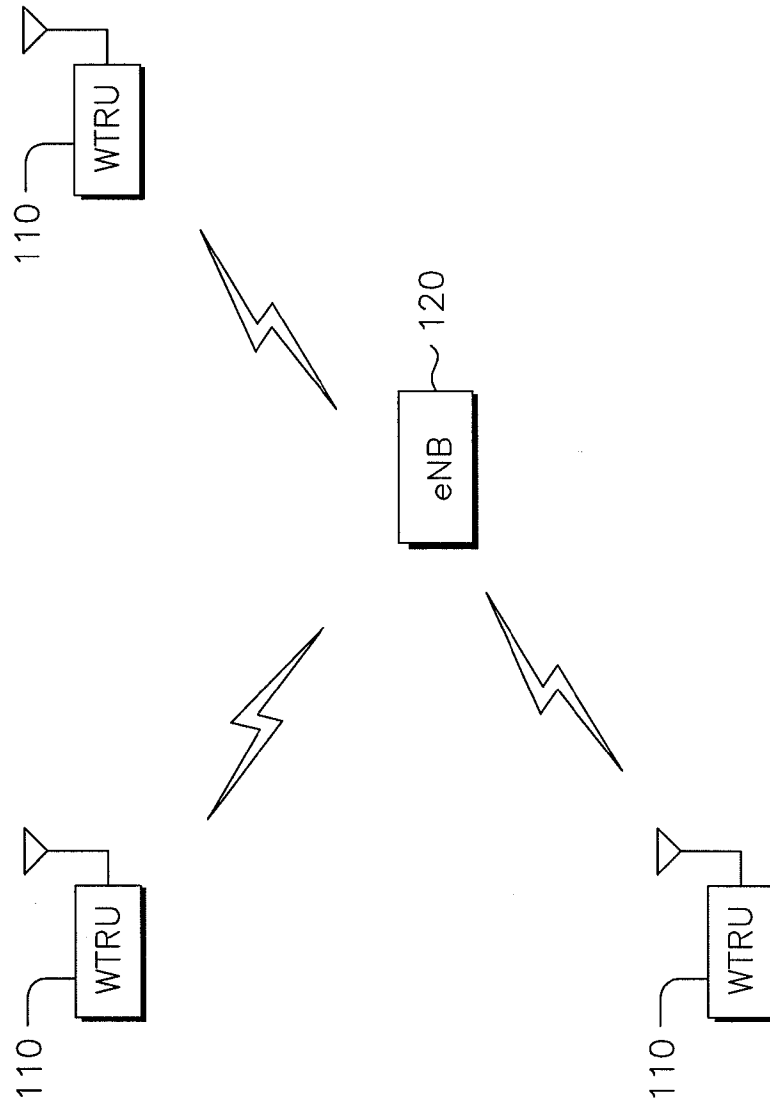


FIG.1

+

+

200

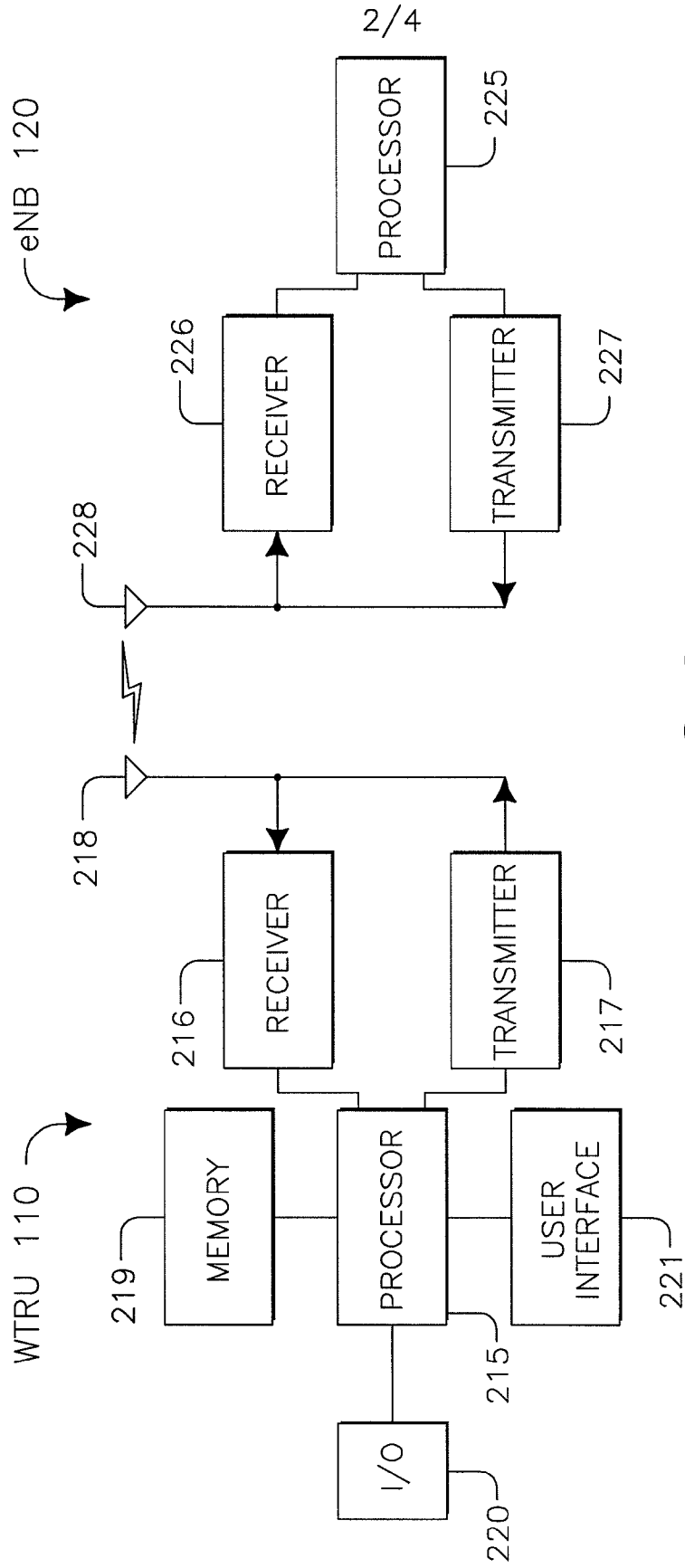


FIG. 2

+

+

300

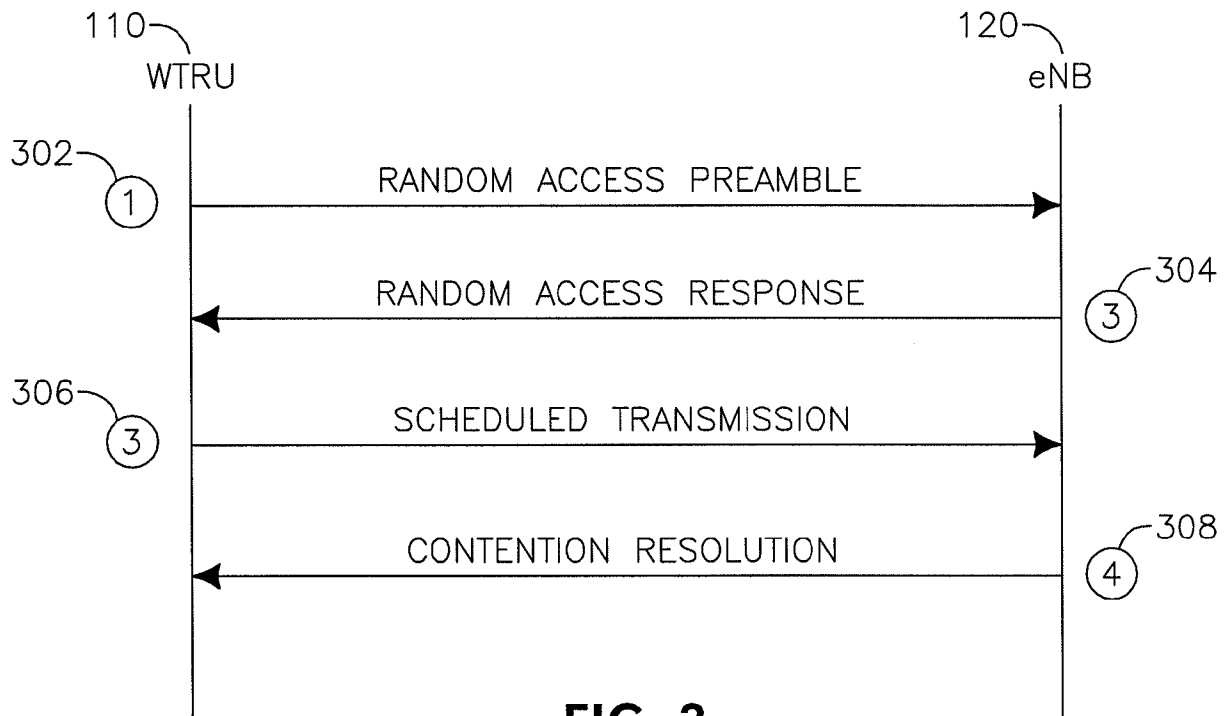


FIG. 3

+

+

400

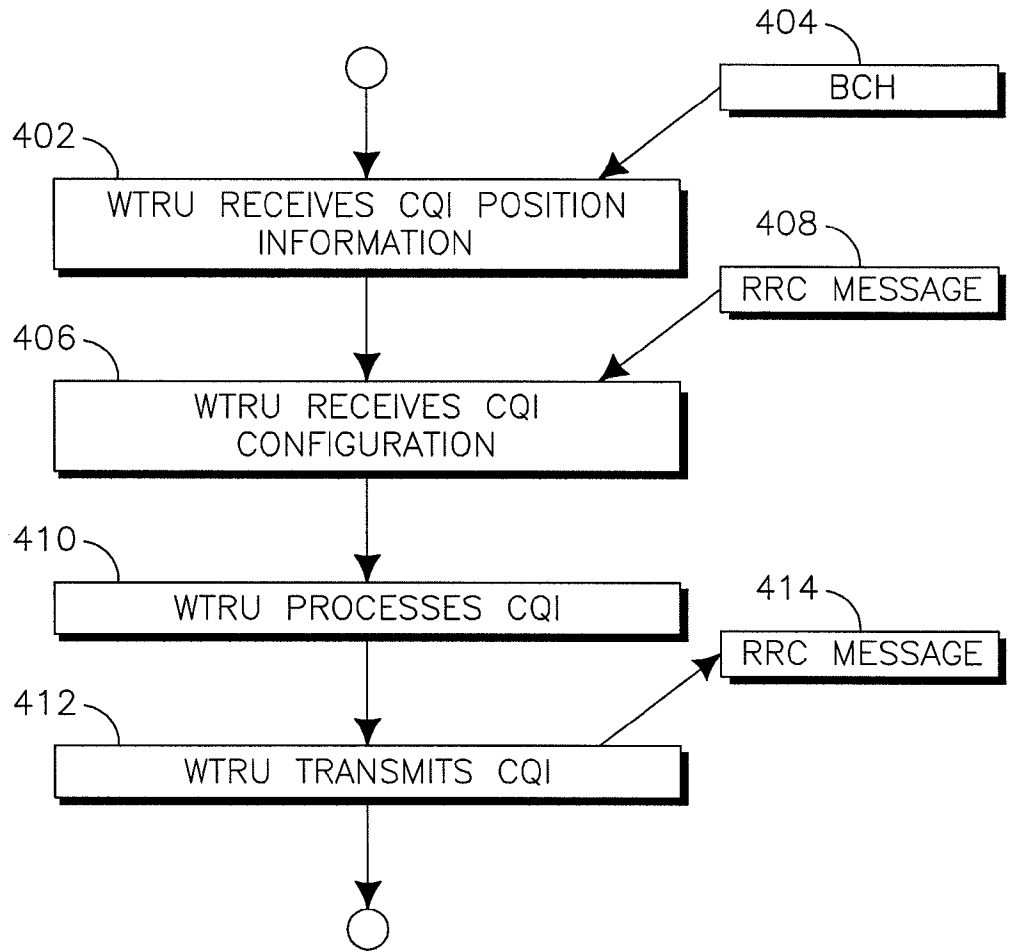


FIG. 4

+

INTERNATIONAL SEARCH REPORT

International application No
PCT/US2008/087965

A. CLASSIFICATION OF SUBJECT MATTER
INV. H04L1/00

According to International Patent Classification (IPC) or to both national classification and IPC

B. FIELDS SEARCHED

Minimum documentation searched (classification system followed by classification symbols)
H04L H04W

Documentation searched other than minimum documentation to the extent that such documents are included in the fields searched

Electronic data base consulted during the international search (name of data base and, where practical, search terms used)

EPO-Internal, WPI Data, COMPENDEX, INSPEC

C. DOCUMENTS CONSIDERED TO BE RELEVANT

| Category* | Citation of document, with indication, where appropriate, of the relevant passages | Relevant to claim No. |
|-----------|---|-----------------------|
| X | US 2006/120470 A1 (HWANG IN-SEOK [KR] ET AL) 8 June 2006 (2006-06-08) abstract paragraphs [0003], [0009], [0010], [0017], [0030], [0042], [0043], [0078] - [0080] | 1-20 |
| X | WO 2007/081564 A (INTERDIGITAL TECH CORP [US]; ZHANG GUODONG [US]; PAN JUNG-LIN [US]; TS) 19 July 2007 (2007-07-19) paragraphs [0010], [0011], [0021], [0024], [0025], [0043], [0047] - [0057]; figure 1 | 1-20 |
| A | NOKIA ET AL: "DRX Considerations" 3GPP DRAFT; R2-073284, 20 August 2007 (2007-08-20), XP050136006 Athens, Greece; the whole document | 1-20 |

Further documents are listed in the continuation of Box C.

See patent family annex.

* Special categories of cited documents :

- *A* document defining the general state of the art which is not considered to be of particular relevance
- *E* earlier document but published on or after the international filing date
- *L* document which may throw doubts on priority claim(s) or which is cited to establish the publication date of another citation or other special reason (as specified)
- *O* document referring to an oral disclosure, use, exhibition or other means
- *P* document published prior to the international filing date but later than the priority date claimed

- *T* later document published after the international filing date or priority date and not in conflict with the application but cited to understand the principle or theory underlying the invention
- *X* document of particular relevance; the claimed invention cannot be considered novel or cannot be considered to involve an inventive step when the document is taken alone
- *Y* document of particular relevance; the claimed invention cannot be considered to involve an inventive step when the document is combined with one or more other such documents, such combination being obvious to a person skilled in the art.
- *&* document member of the same patent family

Date of the actual completion of the international search

8 May 2009

Date of mailing of the international search report

14/05/2009

Name and mailing address of the ISA/

European Patent Office, P.B. 5818 Patentlaan 2
NL - 2280 HV Rijswijk
Tel. (+31-70) 340-2040,
Fax: (+31-70) 340-3016

Authorized officer

Miclea, Sorin

INTERNATIONAL SEARCH REPORT

Information on patent family members

International application No

PCT/US2008/087965

| Patent document cited in search report | Publication date | Patent family member(s) | Publication date |
|--|------------------|-------------------------|------------------|
| US 2006120470 A1 | 08-06-2006 | KR 20060054652 A | 23-05-2006 |
| WO 2007081564 A | 19-07-2007 | AR 059128 A1 | 12-03-2008 |
| | | DE 202007000128 U1 | 14-06-2007 |
| | | TW 314881 Y | 01-07-2007 |