



US00D663717S

(12) **United States Design Patent**
Hutchieson

(10) **Patent No.:** **US D663,717 S**

(45) **Date of Patent:** **** Jul. 17, 2012**

(54) **HEADPHONE**

(75) Inventor: **Brendan Hutchieson**, Kowloon (HK)

(73) Assignee: **Koninklijke Philips Electronics N.V.**,
Eindhoven (NL)

(**) Term: **14 Years**

(21) Appl. No.: **29/399,137**

(22) Filed: **Aug. 10, 2011**

(30) **Foreign Application Priority Data**

Feb. 10, 2011 (EM) 001819467-0001

(51) **LOC (9) Cl.** **14-01**

(52) **U.S. Cl.** **D14/206**

(58) **Field of Classification Search** D14/205,
D14/206, 223; D29/112, 122; 181/129,
181/130, 135; 379/430, 431, 433; 2/209,
2/423; 381/380, 381, 379, 371; 128/864,
128/865, 866, 867; 455/90.3, 575.2

See application file for complete search history.

(56) **References Cited**

U.S. PATENT DOCUMENTS

| | | | | | |
|-----------|-----|---------|-----------------|-------|---------|
| 4,689,822 | A * | 8/1987 | Houng | | 381/379 |
| D300,133 | S * | 3/1989 | Daidoh et al. | | D14/205 |
| D313,092 | S * | 12/1990 | Nilsson | | D29/112 |
| D328,074 | S * | 7/1992 | Yamazaki et al. | | D14/205 |
| D463,857 | S * | 10/2002 | Dix et al. | | D24/106 |
| D544,464 | S * | 6/2007 | Lee | | D14/205 |
| D625,705 | S * | 10/2010 | Ohori et al. | | D14/205 |
| D632,668 | S * | 2/2011 | Brunner et al. | | D14/205 |
| D634,732 | S * | 3/2011 | Kondo et al. | | D14/205 |
| D635,959 | S * | 4/2011 | Hutchieson | | D14/205 |
| D654,472 | S * | 2/2012 | Fischer | | D14/206 |

* cited by examiner

Primary Examiner — Paula Greene

(57) **CLAIM**

The ornamental design for a headphone, as shown.

DESCRIPTION

FIG. 1 is a perspective view showing my design;
FIG. 2 is a front elevational view thereof;
FIG. 3 is a rear elevational view thereof;
FIG. 4 is a right side elevational view thereof;
FIG. 5 is a left side elevational view thereof;
FIG. 6 is a top plan view thereof; and,
FIG. 7 is a bottom plan view thereof.

1 Claim, 5 Drawing Sheets

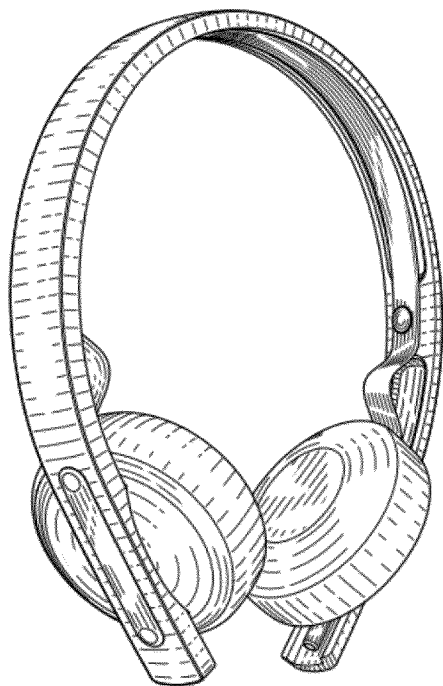




FIG.1



FIG.2



FIG.3

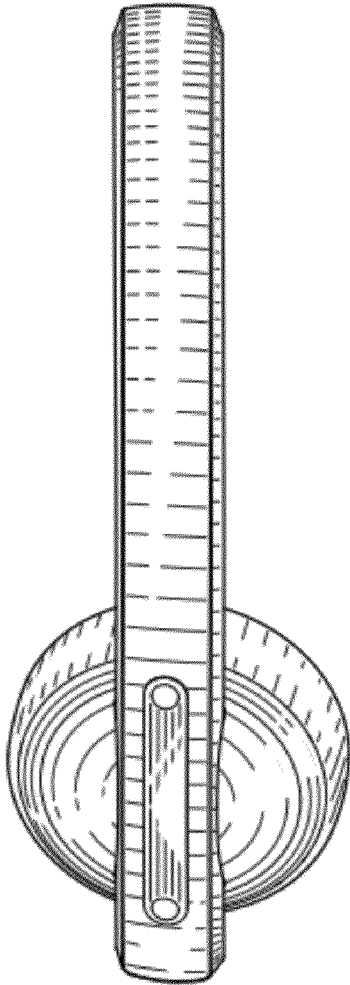


FIG. 4

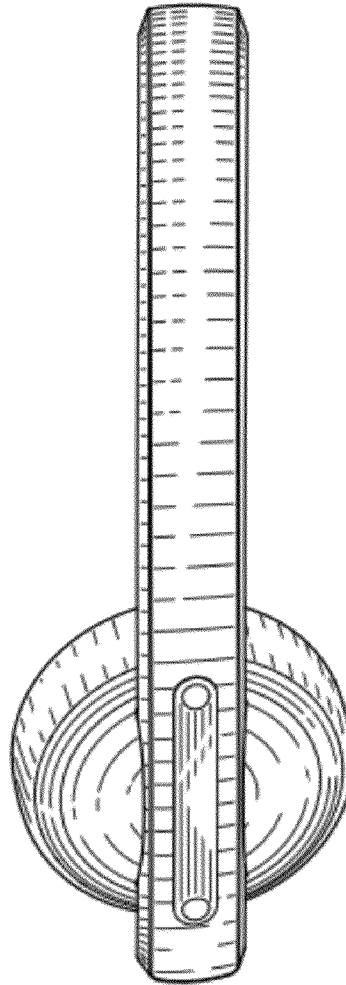


FIG. 5

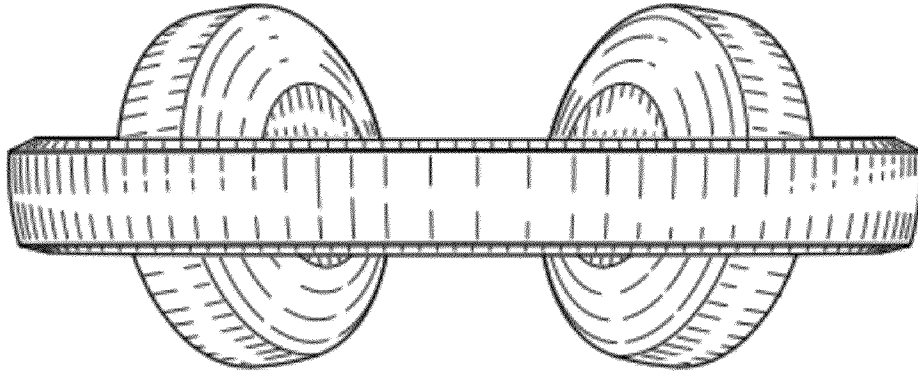


FIG. 6

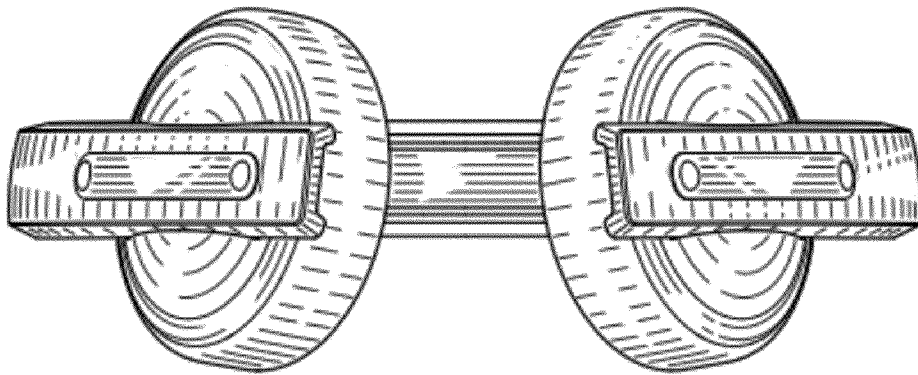


FIG. 7