

(19) World Intellectual Property Organization
International Bureau



(43) International Publication Date
23 August 2001 (23.08.2001)

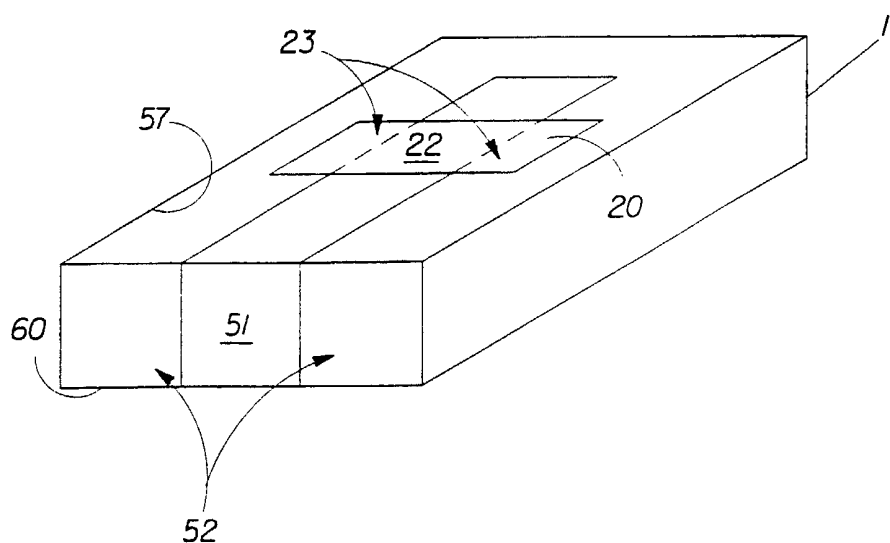
PCT

(10) International Publication Number
WO 01/60214 A3

- (51) International Patent Classification⁷: A47D 5/00
- (21) International Application Number: PCT/US01/04613
- (22) International Filing Date: 14 February 2001 (14.02.2001)
- (25) Filing Language: English
- (26) Publication Language: English
- (30) Priority Data:
09/504.485 15 February 2000 (15.02.2000) US
09/504.765 15 February 2000 (15.02.2000) US
- (71) Applicant: THE PROCTER & GAMBLE COMPANY [US/US]; One Procter & Gamble Plaza, Cincinnati, OH 45202 (US).
- (72) Inventors: KLINE, Mark, James; 5265 Ponderosa Drive, Cincinnati, OH 45239 (US). ROE, Donald, Carroll; 6324 Emberwood Court, West Chester, OH 45069 (US). SUL-LIVAN, Ann, Marie; Design Continuum, 129 Lake Street, Waltham, MA 02451 (US).
- (74) Agents: REED, T., David et al.; The Procter & Gamble Company, 5299 Spring Grove Avenue, Cincinnati, OH 45217-1087 (US).
- (81) Designated States (*national*): AE, AG, AL, AM, AT, AT (utility model), AU, AZ, BA, BB, BG, BR, BY, BZ, CA, CH, CN, CR, CU, CZ, CZ (utility model), DE, DE (utility model), DK, DK (utility model), DM, DZ, EE, EE (utility model), ES, FI, FI (utility model), GB, GD, GE, GH, GM, HR, HU, ID, IL, IN, IS, JP, KE, KG, KP, KR, KZ, LC, LK, LR, LS, LT, LU, LV, MA, MD, MG, MK, MN, MW, MX, MZ, NO, NZ, PL, PT, RO, RU, SD, SE, SG, SI, SK, SK (utility model), SL, TJ, TM, TR, TT, TZ, UA, UG, UZ, VN, YU, ZA, ZW.
- (84) Designated States (*regional*): ARIPO patent (GH, GM, KE, LS, MW, MZ, SD, SL, SZ, TZ, UG, ZW), Eurasian patent (AM, AZ, BY, KG, KZ, MD, RU, TJ, TM), European patent (AT, BE, CH, CY, DE, DK, ES, FI, FR, GB, GR, IE, IT, LU, MC, NL, PT, SE, TR), OAPI patent (BF, BJ, CF, CG, CI, CM, GA, GN, GW, ML, MR, NE, SN, TD, TG).
- Published:
— with international search report

[Continued on next page]

(54) Title: ACTIVE CHANGE AIDS FOR EXTERNAL ARTICLES



(57) Abstract: An active external change aid that comprises elements which act upon an article to be attached to a wearer to perform a useful function. The active external change aid helps the caregiver or wearer obtain the optimum fit and performance of the product by performing steps for the caregiver or wearer during the application or removal of the product. The article optionally includes elements which work in conjunction with elements of the change aid.



WO 01/60214 A3



(88) Date of publication of the international search report:
2 May 2002

For two-letter codes and other abbreviations, refer to the "Guidance Notes on Codes and Abbreviations" appearing at the beginning of each regular issue of the PCT Gazette.

INTERNATIONAL SEARCH REPORT

International Application No

PCT/US 01/04613

A. CLASSIFICATION OF SUBJECT MATTER
IPC 7 A47D5/00

According to International Patent Classification (IPC) or to both national classification and IPC.

B. FIELDS SEARCHED

Minimum documentation searched (classification system followed by classification symbols)

IPC 7 A47D A61F A47G A61G A47C

Documentation searched other than minimum documentation to the extent that such documents are included in the fields searched

Electronic data base consulted during the international search (name of data base and, where practical, search terms used)

EPO-Internal, WPI Data, PAJ

C. DOCUMENTS CONSIDERED TO BE RELEVANT

Category	Citation of document, with indication, where appropriate, of the relevant passages	Relevant to claim No
X	GB 2 263 232 A (RALSTON SEBASTIAN WINDEYER) 21 July 1993 (1993-07-21) claims 1,2; figures ---	1,9 2-4,7,10
A	US 5 299 336 A (MARTEENY JEAN) 5 April 1994 (1994-04-05) claim 1; figures 1-3 ---	1
X	FR 2 620 323 A (MAGNEN PHILIPPE ;PELLARD GUY (FR)) 17 March 1989 (1989-03-17) claims 1,4; figures ---	1-3,6,9 7,8
A	FR 2 136 191 A (HEUSER HELMUT) 22 December 1972 (1972-12-22) claims; figures ---	1
X		

-/--

Further documents are listed in the continuation of box C.

Patent family members are listed in annex.

* Special categories of cited documents

A document defining the general state of the art which is not considered to be of particular relevance

E earlier document but published on or after the international filing date

L document which may throw doubts on priority claim(s) or which is cited to establish the publication date of another citation or other special reason (as specified)

O document referring to an oral disclosure, use, exhibition or other means

P document published prior to the international filing date but later than the priority date claimed

T later document published after the international filing date or priority date and not in conflict with the application but cited to understand the principle or theory underlying the invention

X document of particular relevance; the claimed invention cannot be considered novel or cannot be considered to involve an inventive step when the document is taken alone

Y document of particular relevance; the claimed invention cannot be considered to involve an inventive step when the document is combined with one or more other such documents, such combination being obvious to a person skilled in the art.

Z document member of the same patent family

Date of the actual completion of the international search

17 September 2001

Date of mailing of the international search report

25/09/2001

Name and mailing address of the ISA

European Patent Office, P.B. 5818 Patentlaan 2
NL - 2280 HV Rijswijk
Tel. (+31-70) 340-2040, Tx. 31 651 epo nl.
Fax: (+31-70) 340-3016

Authorized officer

Amghar, N

1

INTERNATIONAL SEARCH REPORT

International Application No
PCT/US 01/04613

C.(Continuation) DOCUMENTS CONSIDERED TO BE RELEVANT		
Category	Citation of document, with indication, where appropriate, of the relevant passages	Relevant to claim No.
A	US 3 305 878 A (H. W. HELLBAUM) 28 February 1967 (1967-02-28) claim: figures -----	

1

INTERNATIONAL SEARCH REPORT

Information on patent family members

International Application No
PCT/US 01/04613

Patent document cited in search report	Publication date	Patent family member(s)	Publication date
GB 2263232	A	21-07-1993	NONE
US 5299336	A	05-04-1994	NONE
FR 2620323	A	17-03-1989	FR 2620323 A1 17-03-1989
FR 2136191	A	22-12-1972	DE 2117080 A1 12-10-1972 CH 532928 A 31-01-1973 FR 2136191 A7 22-12-1972
US 3305878	A	28-02-1967	NONE