

[54] COSMETIC BOX OR THE LIKE

[75] Inventor: Alain Chevassus, Sceaux, France

[73] Assignee: Lefebure Isolants Reunis, Chevilly Larue, France

[**] Term: 14 Years

[21] Appl. No.: 721,861

[22] Filed: Apr. 9, 1985

[52] U.S. Cl. D28/78; D28/83

[58] Field of Search D28/4, 76-78, D28/91, 82-86; D3/39; D9/414, 420-423, 430, 432; 220/DIG. 26; 206/235, 385, 587, 823; 362/136, 137; 132/DIG. 21, 79 R, 79 A, 79 S, 79 F, 79 G, 83 R, 83 B, 83 S, 83 G, 82 R-82 D

[56] References Cited

U.S. PATENT DOCUMENTS

- D. 93,318 9/1934 Zell D28/78
- D. 245,762 9/1977 Takacs D9/420
- D. 286,212 10/1986 Campello et al. D28/83
- 3,911,936 10/1975 Kingsford D28/76 X

FOREIGN PATENT DOCUMENTS

483228 2/1970 Switzerland 220/DIG. 26

Primary Examiner—Louis S. Zarfes

Attorney, Agent, or Firm—Fleit, Jacobson, Cohn & Price

[57] CLAIM

The ornamental design for a cosmetic box or the like, as shown and described.

DESCRIPTION

FIG. 1 is a perspective view of a cosmetic box, showing my new design in an open condition;

FIG. 2 is a perspective view of the cosmetic box, showing my new design in a closed condition;

FIG. 3 is a front view thereof;

FIG. 4 is a rear view thereof;

FIG. 5 is a left side view thereof, the right side view being identical;

FIG. 6 is a plan view thereof;

FIG. 7 is a bottom plan view thereof;

FIG. 8 is a sectional view of FIG. 5, taken along the line 8-8; and

FIG. 9 is a sectional view of FIG. 3, taken along the line 9-9.

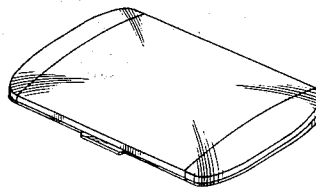
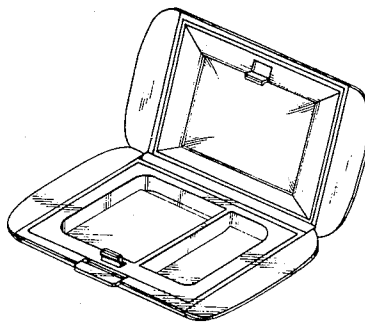


FIG. 1

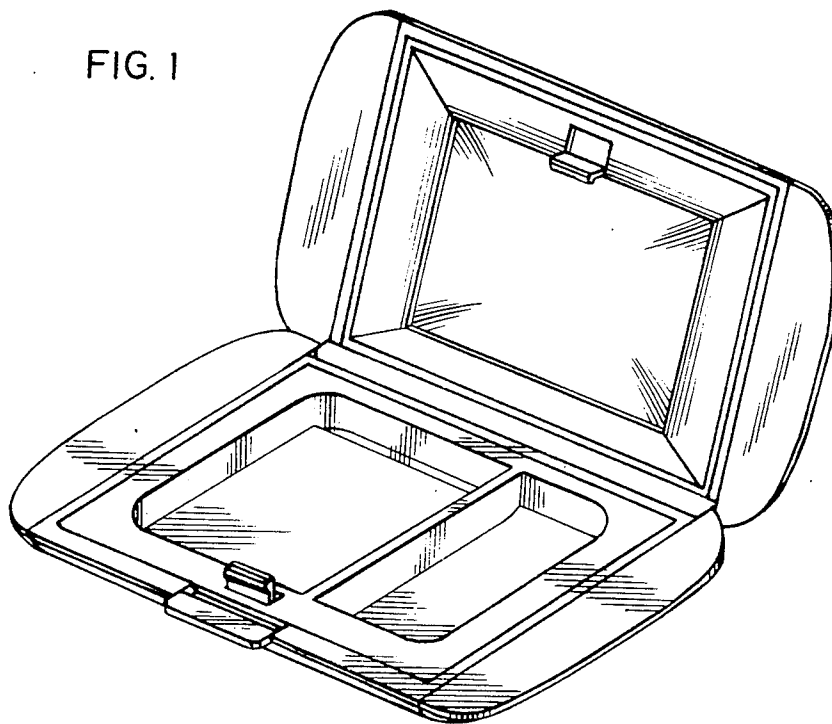
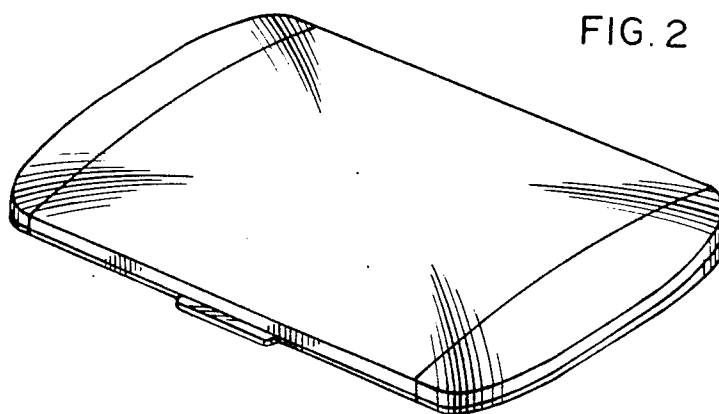


FIG. 2



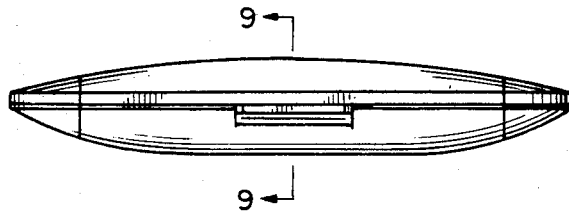


FIG. 3

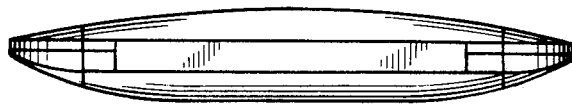


FIG. 4

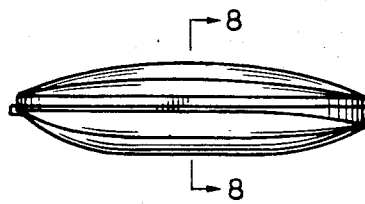


FIG. 5

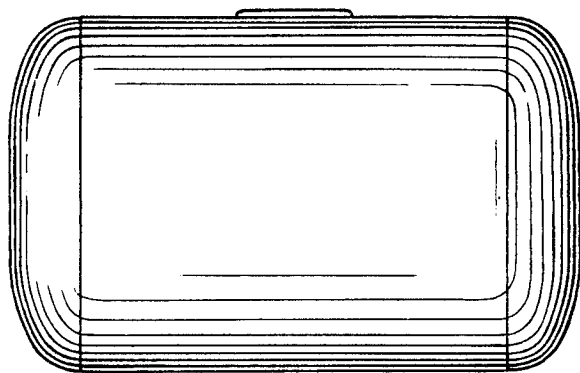


FIG. 6

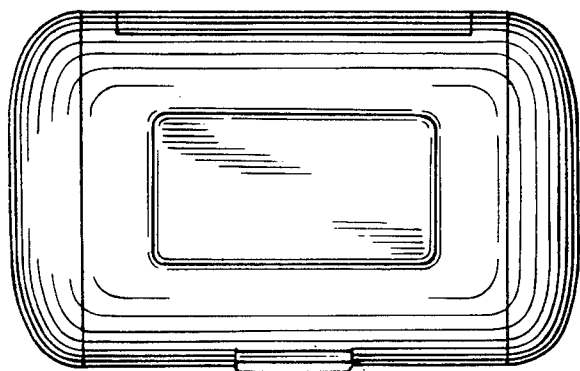


FIG. 7

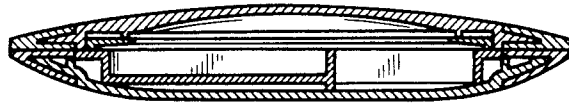


FIG. 8



FIG. 9