



US00D487197S

(12) **United States Design Patent** (10) **Patent No.:** **US D487,197 S**  
**Edwards et al.** (45) **Date of Patent:** **\*\* Mar. 2, 2004**

(54) **CHAIR**  
(75) Inventors: **Thomas M. Edwards**, Spring Lake, MI (US); **Errol Pearsons**, Grand Haven, MI (US); **Bruce Gezon**, Caledonia, MI (US)  
(73) Assignee: **First Source Furniture Group**, Nashville, TN (US)  
(\*\*) Term: **14 Years**  
(21) Appl. No.: **29/176,000**  
(22) Filed: **Feb. 13, 2003**  
(51) **LOC (7) Cl.** ..... **06-01**  
(52) **U.S. Cl.** ..... **D6/366**  
(58) **Field of Search** ..... D6/334, 335, 364, D6/365, 366, 367, 500, 501, 502; 297/411.2, 411.27, 411.28, 411.29, 411.36

D417,101 S \* 11/1999 DeSanta et al. .... D6/500  
D418,316 S \* 1/2000 Vogtherr ..... D6/366  
D436,768 S \* 1/2001 Jenkins et al. .... D6/500  
D437,701 S \* 2/2001 Bellini et al. .... D6/366  
D444,309 S \* 7/2001 Nagamitsu ..... D6/366  
D445,579 S \* 7/2001 Olson ..... D6/366  
D445,613 S \* 7/2001 Ginat ..... D6/500  
D446,033 S \* 8/2001 Koepke et al. .... D6/366  
D449,172 S 10/2001 Van De Riet et al.  
D449,938 S 11/2001 Van De Riet et al.  
D455,571 S 4/2002 Van De Riet et al.  
D456,160 S 4/2002 Van De Riet et al.  
D456,164 S 4/2002 Van De Riet et al.  
D460,870 S 7/2002 Van De Riet et al.  
D468,121 S \* 1/2003 Lepper et al. .... D6/366  
D476,834 S \* 7/2003 Bartlmae ..... D6/500  
D477,469 S \* 7/2003 Brooks ..... D6/366  
D469,618 S \* 8/2003 Nagamitsu ..... D6/366

\* cited by examiner

*Primary Examiner*—Doris V. Coles  
*Assistant Examiner*—T. Chase Nelson  
(74) *Attorney, Agent, or Firm*—Flynn, Thiel, Boutell & Tanis, P.C.

(56) **References Cited**

**U.S. PATENT DOCUMENTS**

D233,712 S 11/1974 Koepke  
D233,720 S 11/1974 Koepke  
4,240,663 A 12/1980 Locher  
D259,598 S 6/1981 Locher  
D297,600 S 9/1988 Wilson  
D307,837 S 5/1990 Grant  
5,048,894 A 9/1991 Miyajima et al.  
D383,322 S 9/1997 Dammermann et al.  
D383,323 S 9/1997 Dammermann et al.  
D390,385 S 2/1998 Dammermann et al.  
D390,712 S \* 2/1998 Koepke et al. .... D6/366  
5,782,536 A 7/1998 Heidmann et al.  
D396,975 S 8/1998 Dammermann et al.  
D398,163 S \* 9/1998 Desanta ..... D6/366  
D407,911 S \* 4/1999 Brauning ..... D6/366  
D410,342 S 6/1999 Dammermann et al.

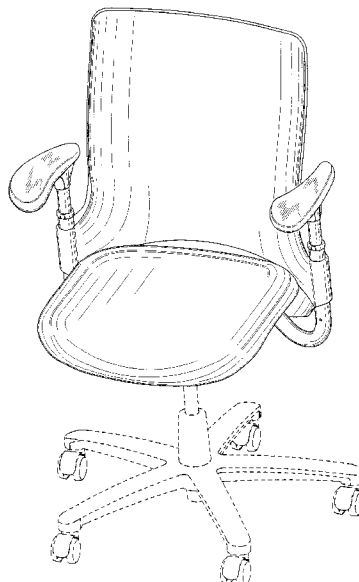
(57) **CLAIM**

The ornamental design for a chair, as shown and described.

**DESCRIPTION**

FIG. 1 is a perspective front view of the chair of the invention;  
FIG. 2 is a front view thereof;  
FIG. 3 is a side view thereof;  
FIG. 4 is a rear view thereof; and,  
FIG. 5 is a top view thereof.  
The broken line showings of the chair pedestal are solely for the purpose of illustrating environmental structure, and form no part of the inventive design.

**1 Claim, 5 Drawing Sheets**



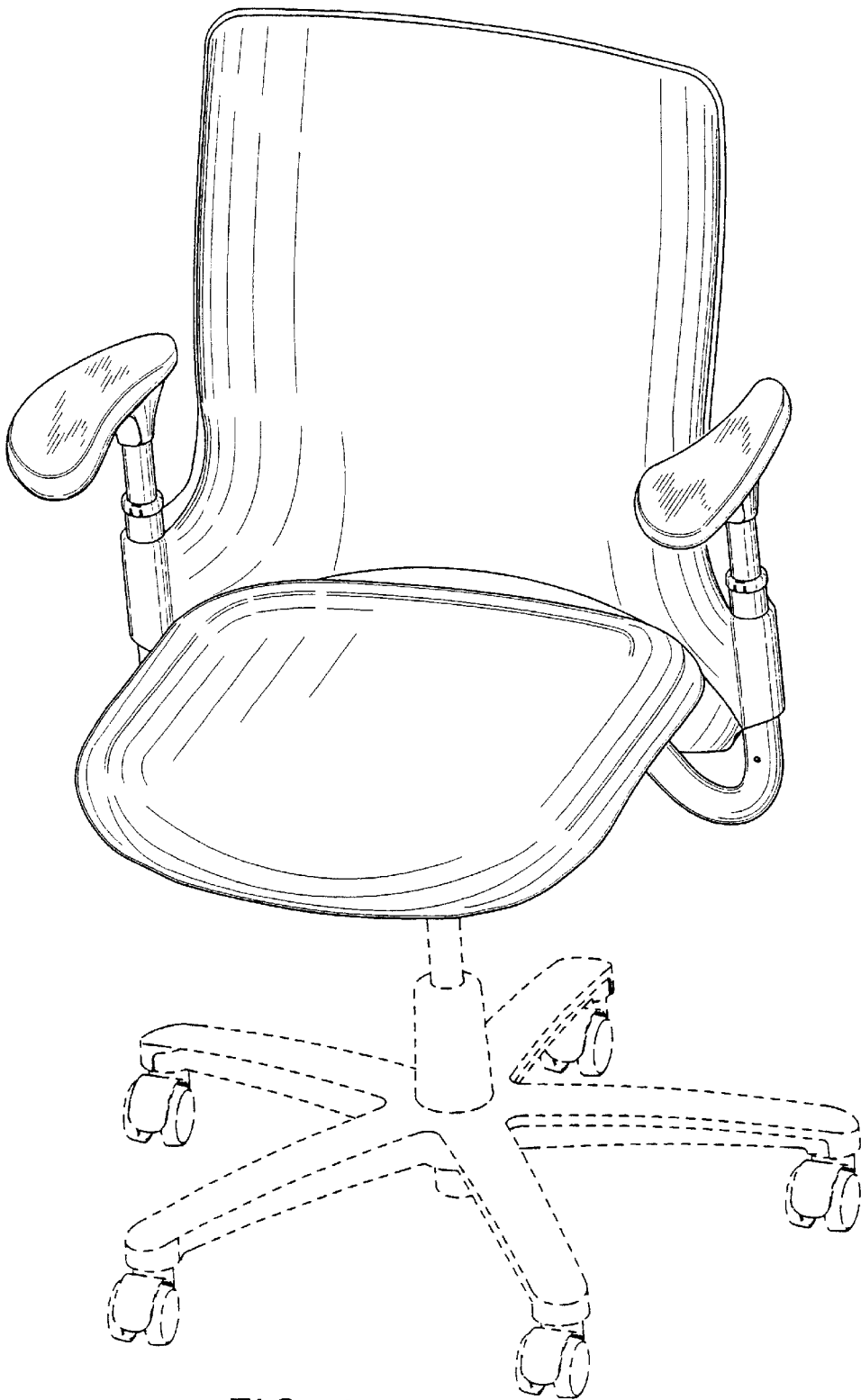


FIG. 1

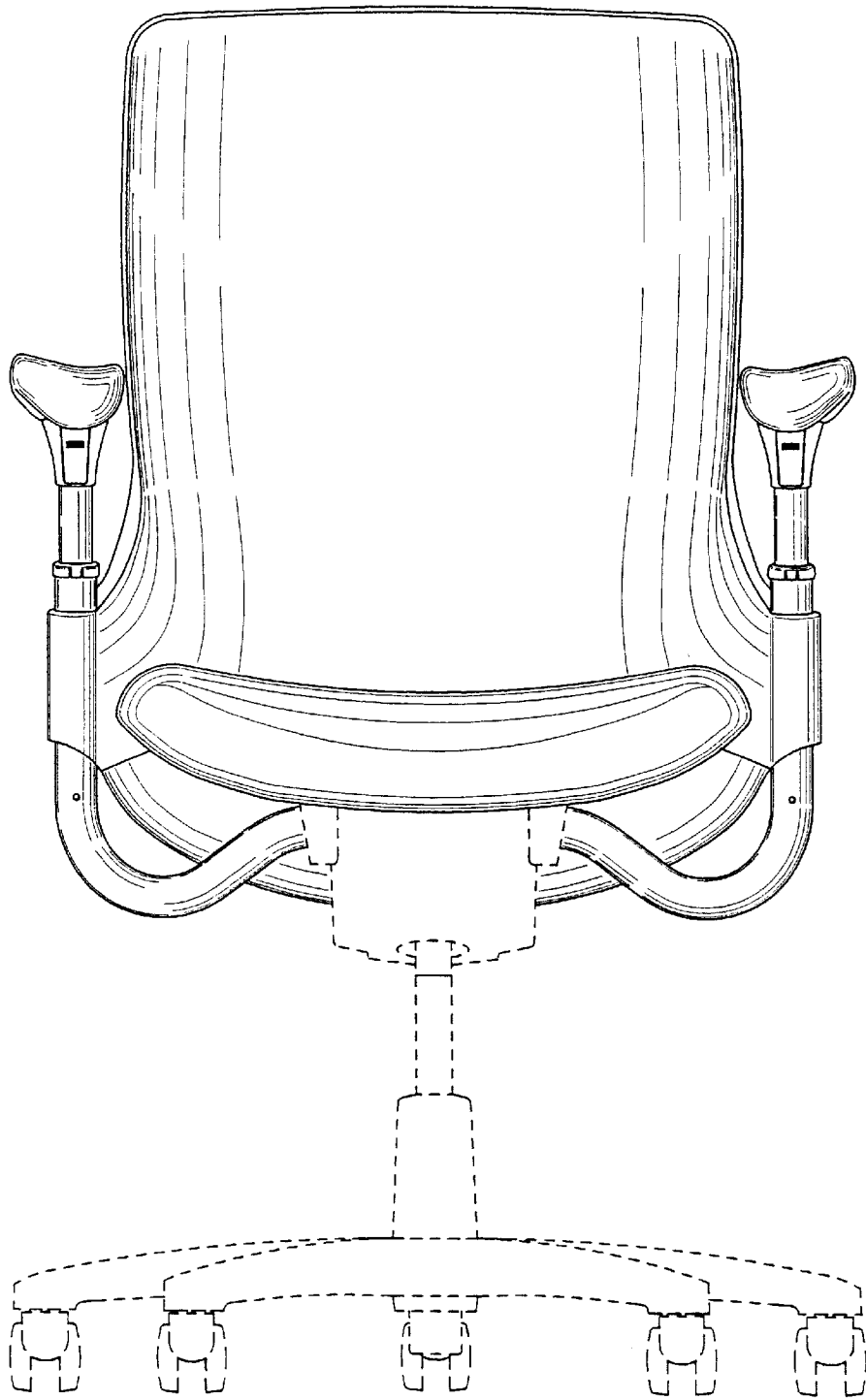


FIG. 2

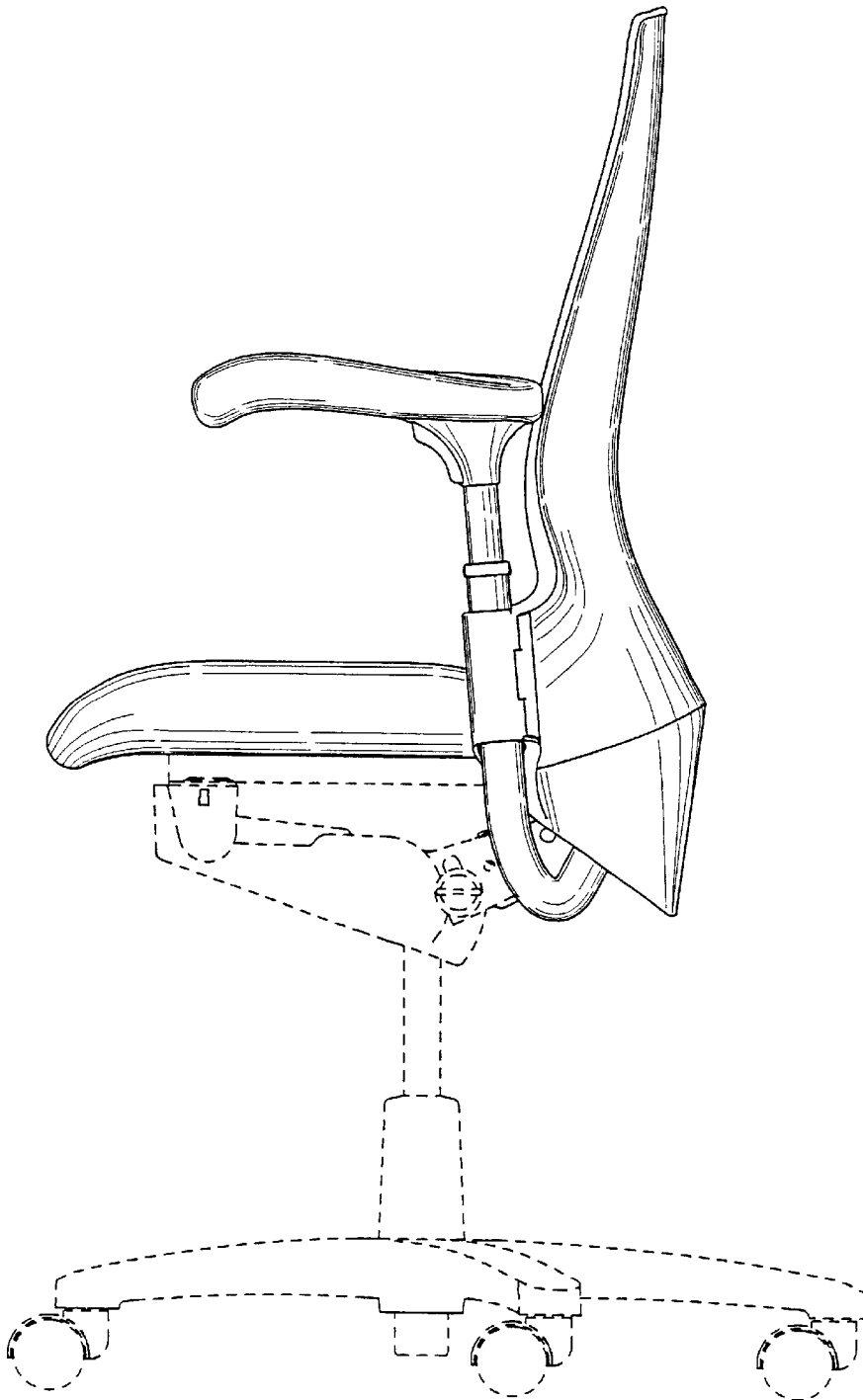


FIG. 3

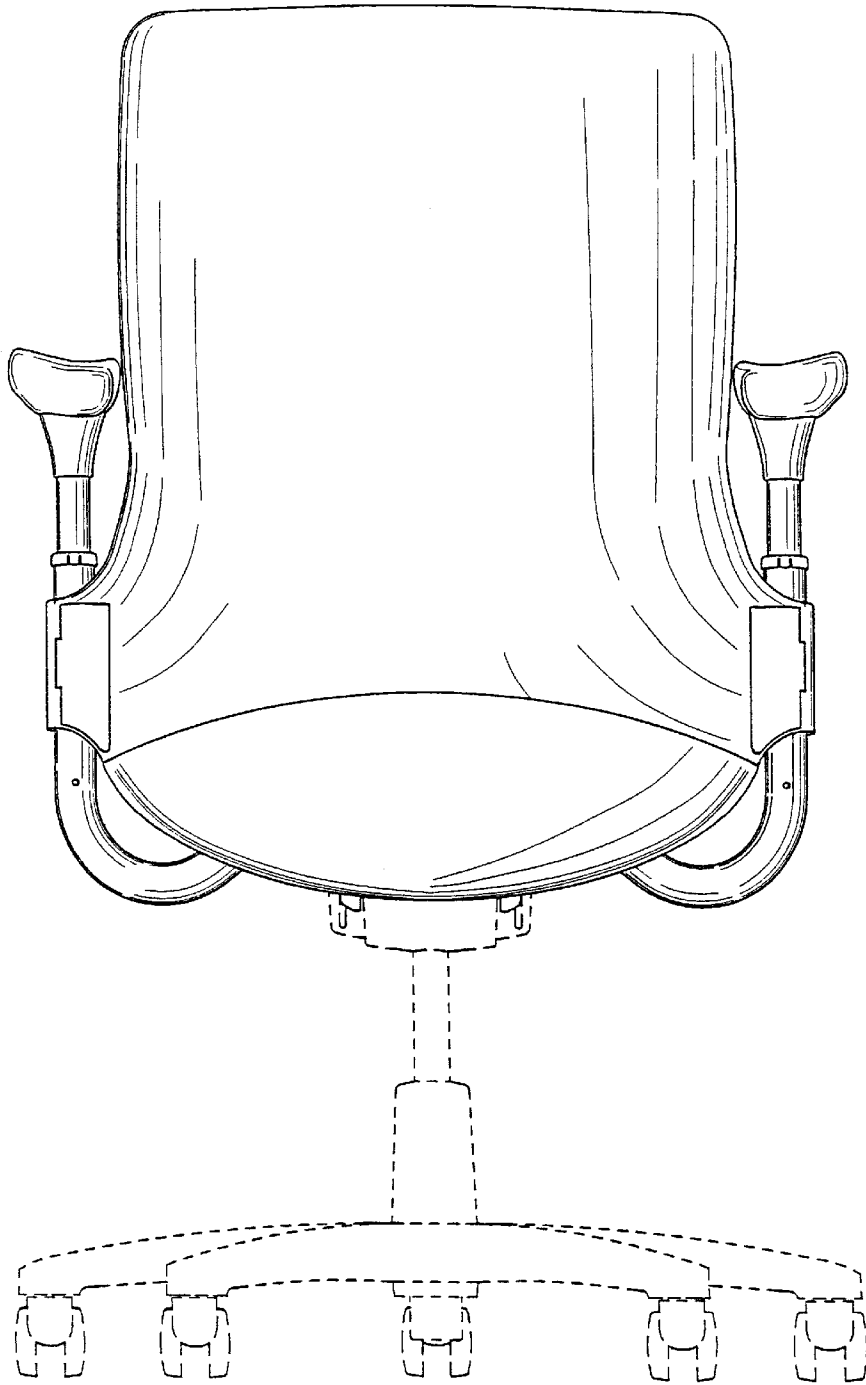


FIG. 4

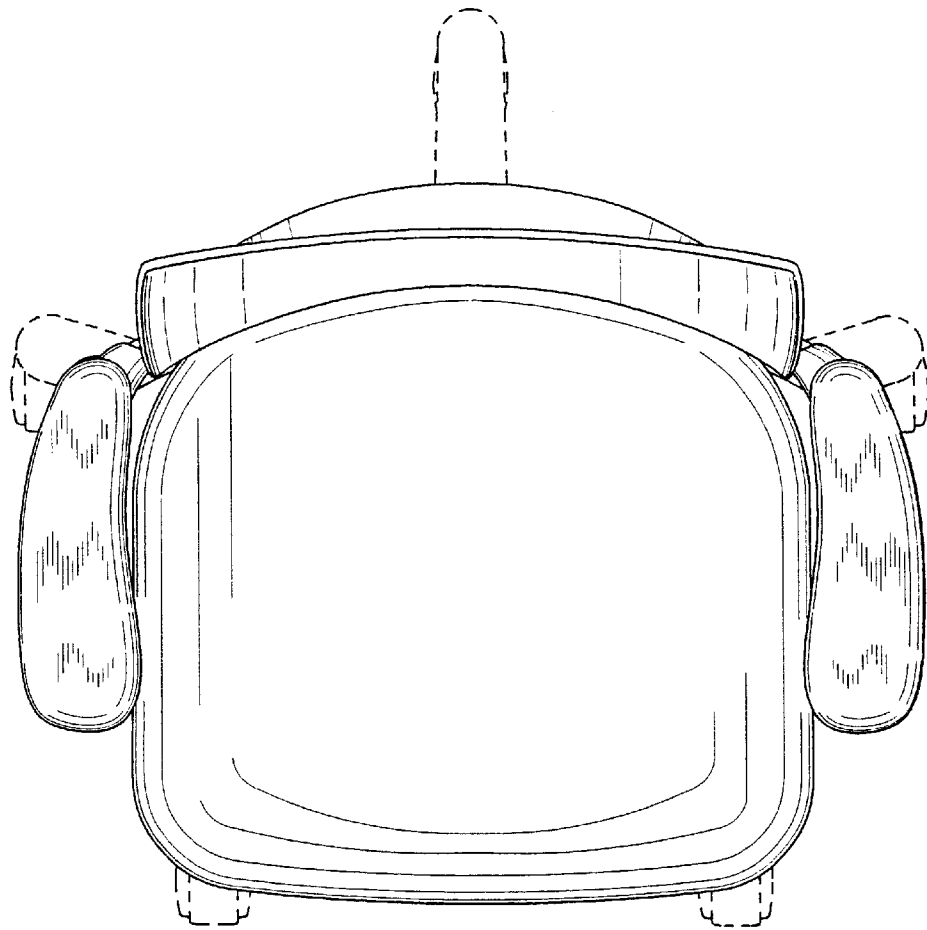


FIG. 5