



US00D691110S

(12) **United States Design Patent**
Ham et al.

(10) **Patent No.:** **US D691,110 S**

(45) **Date of Patent:** **** Oct. 8, 2013**

(54) **COMMUNICATIONS HEADSET**

(71) Applicant: **Plantronics Inc.**, Santa Cruz, CA (US)

(72) Inventors: **Soonyun Ham**, San Francisco, CA (US);
Stefan Gougherty, Oakland, CA (US)

(73) Assignee: **Plantronics, Inc.**, Santa Cruz, CA (US)

(**) Term: **14 Years**

(21) Appl. No.: **29/443,484**

(22) Filed: **Jan. 17, 2013**

Related U.S. Application Data

(62) Division of application No. 29/427,487, filed on Jul. 18, 2012.

(51) **LOC (9) Cl.** **14-01**

(52) **U.S. Cl.**
USPC **D14/205**

(58) **Field of Classification Search**
USPC D14/205, 206, 223, 188, 192; 181/129,
181/130, 135; 379/430, 431; 381/380, 381;
455/90.3, 575.1; 370/430, 431; D29/112;
2/209

See application file for complete search history.

(56) **References Cited**

U.S. PATENT DOCUMENTS

2,782,423	A *	2/1957	Simon et al.	2/209
4,472,607	A *	9/1984	Houng	181/18
4,597,469	A *	7/1986	Nagashima	181/129
4,689,822	A *	8/1987	Houng	381/379
D300,133	S *	3/1989	Daidoh et al.	D14/205
5,033,094	A *	7/1991	Hung	381/379
D337,116	S *	7/1993	Hattori	D14/206
5,369,857	A *	12/1994	Sacherman et al.	29/594
D365,559	S *	12/1995	Fathi	D14/142
D377,020	S *	12/1996	Bungardt et al.	D14/205

D381,336	S *	7/1997	Bungardt et al.	D14/205
D394,437	S *	5/1998	Landreth et al.	D14/206
6,154,539	A *	11/2000	Pitel	379/430
D436,348	S *	1/2001	McGugan	D14/142
D458,247	S *	6/2002	Davies et al.	D14/206
D482,019	S *	11/2003	Petersen et al.	D14/206
D488,146	S *	4/2004	Minto	D14/206
D494,957	S *	8/2004	Rath et al.	D14/206
D498,470	S *	11/2004	Skulley et al.	D14/206
D514,086	S *	1/2006	Skulley	D14/206
D517,053	S *	3/2006	Ham	D14/223
D517,528	S *	3/2006	Skulley	D14/206
D519,106	S *	4/2006	Polito et al.	D14/223
D530,702	S *	10/2006	Pritchard et al.	D14/206
D531,165	S *	10/2006	Rath	D14/206
D538,785	S *	3/2007	Skulley	D14/206
D539,267	S *	3/2007	Komiyama	D14/205
D540,302	S *	4/2007	Hagiwara et al.	D14/205
D540,778	S *	4/2007	Thompson et al.	D14/206
D571,354	S *	6/2008	Ng	D14/205
D587,683	S *	3/2009	Ham et al.	D14/205
D587,684	S *	3/2009	Ham et al.	D14/205
D598,895	S *	8/2009	Bentley et al.	D14/206

(Continued)

Primary Examiner — Paula Greene

(57) **CLAIM**

The ornamental design for a communications headset, as shown and described described.

DESCRIPTION

FIG. 1 is a front top left perspective view of a communications headset showing our new design;

FIG. 2 is a front view thereof;

FIG. 3 is a back view thereof;

FIG. 4 is a left side view thereof;

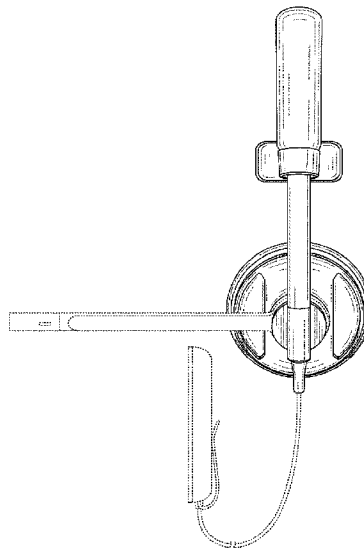
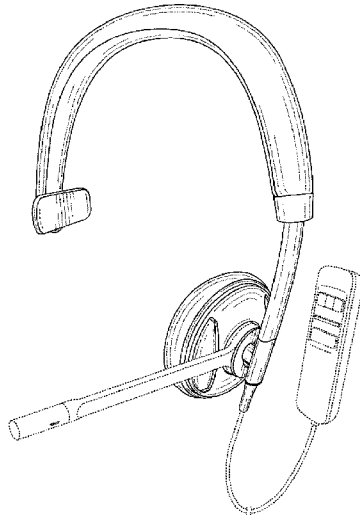
FIG. 5 is a right side view thereof;

FIG. 6 is a bottom view thereof; and,

FIG. 7 is a top view thereof.

The broken lines showing of the unclaimed environment forms no part of the claimed design.

1 Claim, 7 Drawing Sheets



(56)

References Cited

U.S. PATENT DOCUMENTS

D601,543 S * 10/2009 Bentley D14/206
D602,001 S * 10/2009 Bentley D14/206
7,766,120 B2 * 8/2010 Hansson et al. 181/129
D625,709 S * 10/2010 Yamamoto D14/223

D634,298 S * 3/2011 Shimizu et al. D14/205
D654,472 S * 2/2012 Fischer D14/206
D663,717 S * 7/2012 Hutchieson D14/206
D667,388 S * 9/2012 Kelley D14/206
D673,521 S * 1/2013 Yoneyama et al. D14/205
D677,241 S * 3/2013 Kelly et al. D14/205

* cited by examiner

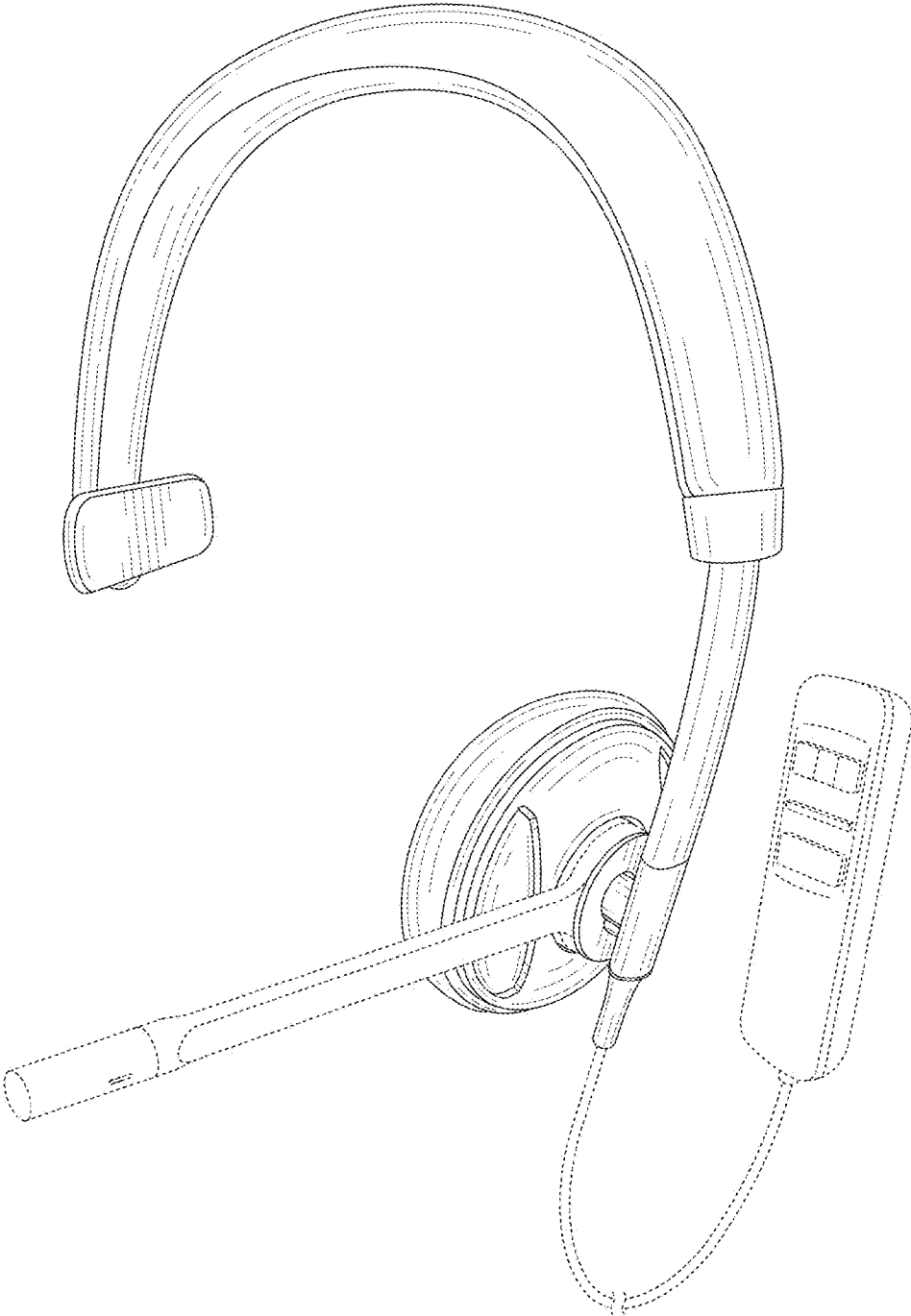


FIG. 1

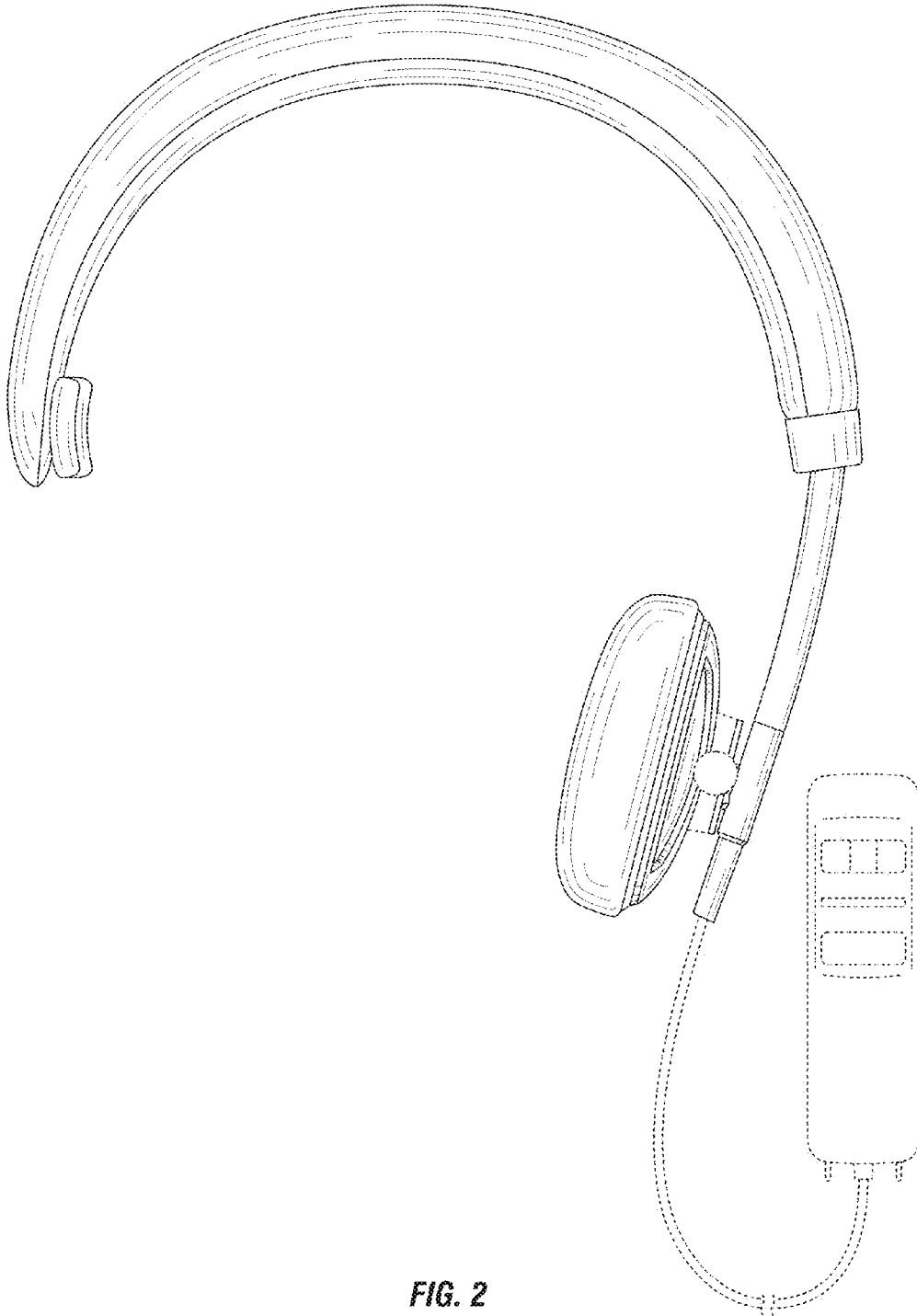


FIG. 2

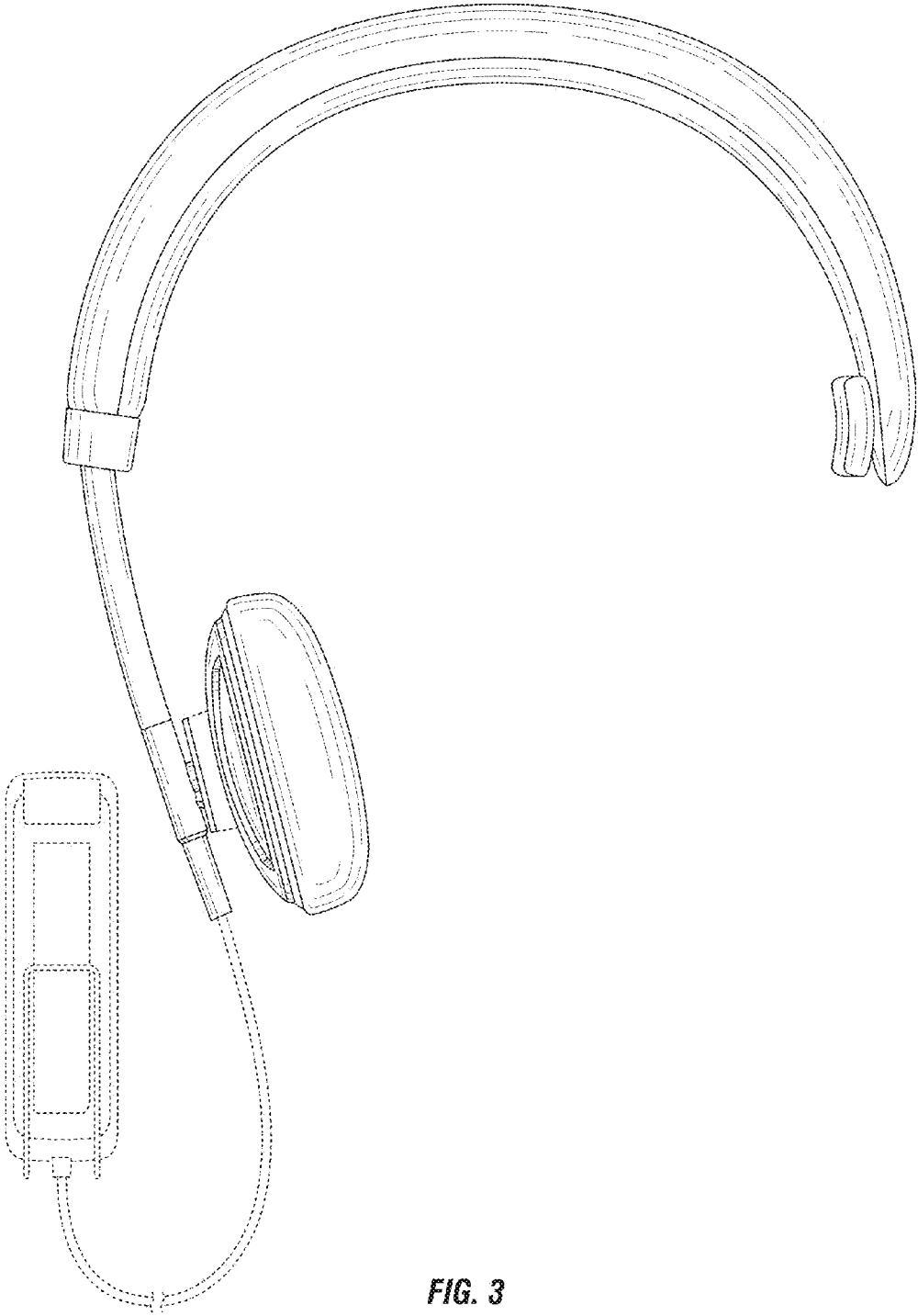


FIG. 3

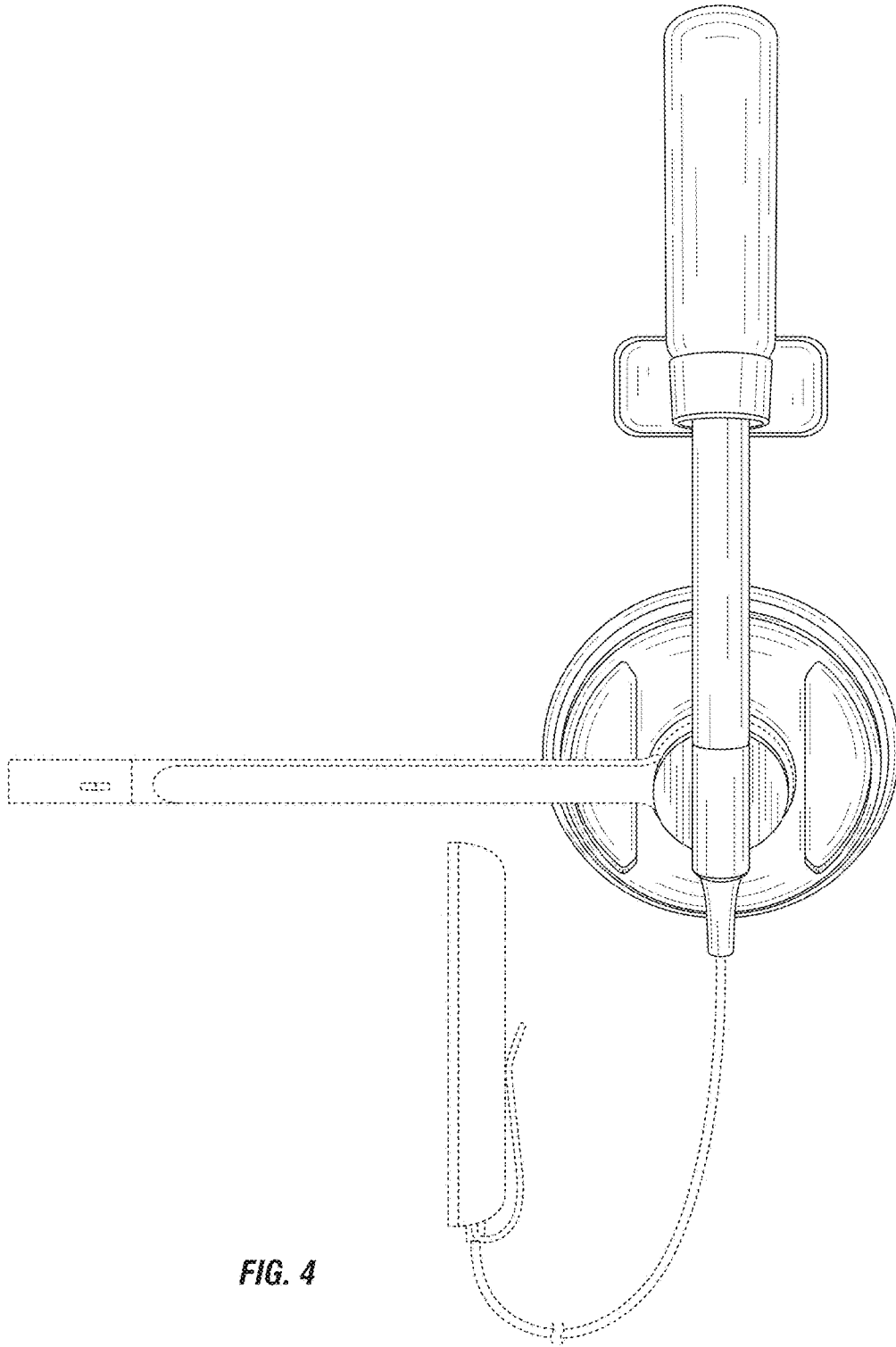


FIG. 4

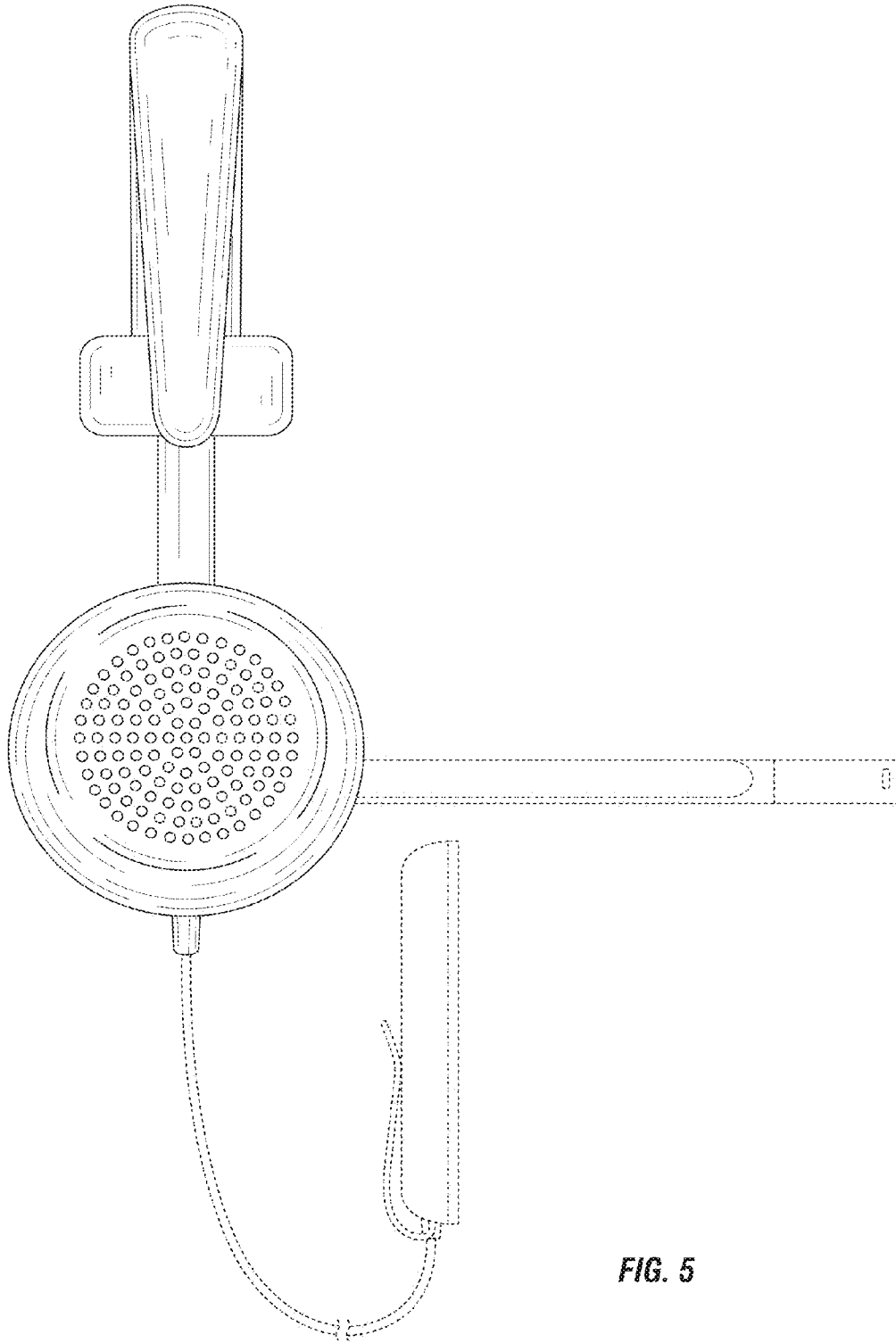


FIG. 5

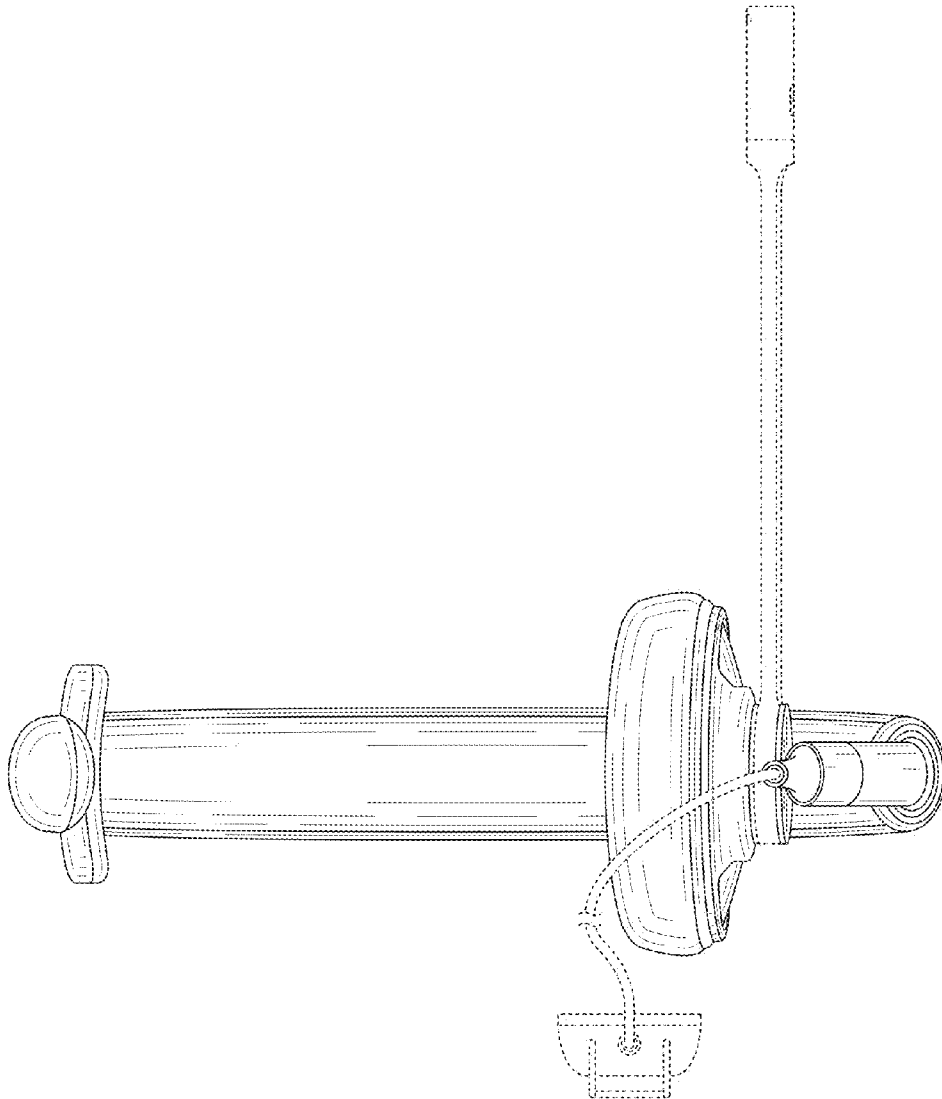


FIG. 6

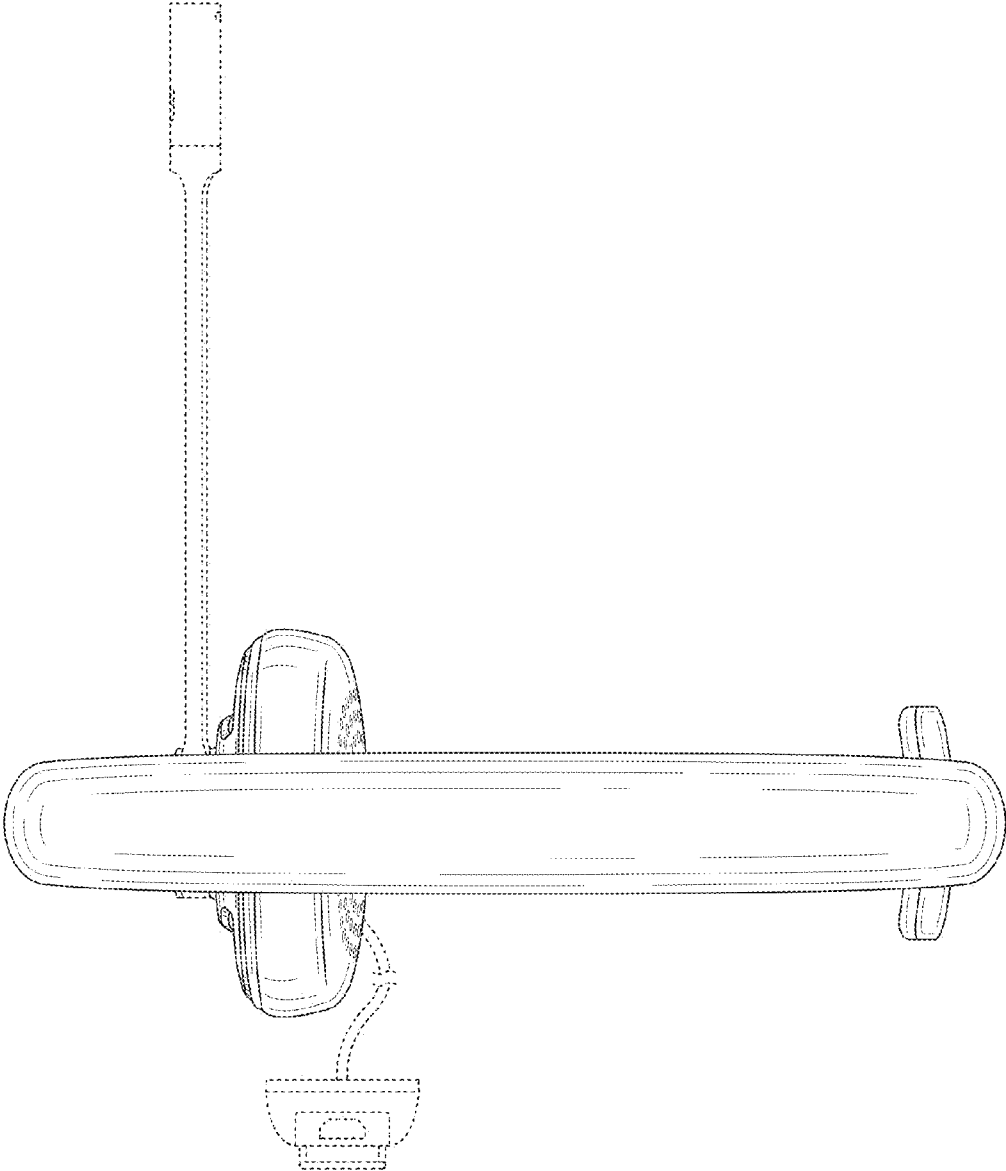


FIG. 7