

[54] NETWORK INTERFACE JACK

D. 273,104 3/1984 Cousins D13/156

[75] Inventor: David H. Dowler, Raymond, Me.

Primary Examiner—Susan J. Lucas

[73] Assignee: GTE Products Corporation, Stamford, Conn.

Assistant Examiner—Joel Sincavage

Attorney, Agent, or Firm—James Theodosopoulos

[**] Term: 14 Years

[57] CLAIM

[21] Appl. No.: 82,623

The ornamental design for network interface jack, as shown.

[22] Filed: Aug. 7, 1987

DESCRIPTION

[52] U.S. Cl. D13/133; D13/158; D13/175

FIG. 1 is a front and upper left perspective view of a network interface jack showing my new design;

[58] Field of Search D13/133, 147, 154; 439/63, 76, 78; 350/96.2

FIG. 2 is a left side elevational view thereof;

FIG. 3 is a right side elevational view thereof;

FIG. 4 is a top plan view thereof;

FIG. 5 is a bottom plan view thereof;

FIG. 6 is a front elevational view thereof; and

FIG. 7 is a rear elevational view thereof.

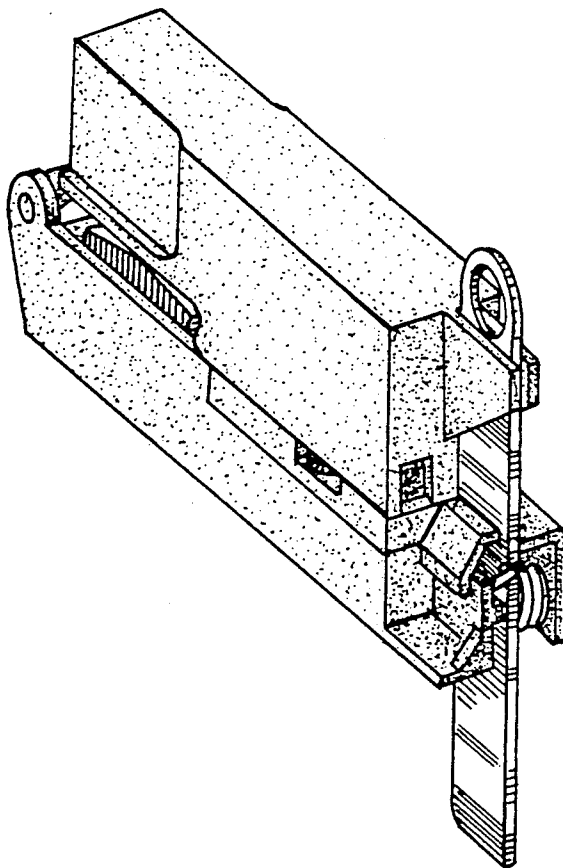
[56] References Cited

U.S. PATENT DOCUMENTS

D. 233,667 11/1974 Knute D13/133

D. 261,505 10/1981 Miller D13/123

FIG. 8 is a front and upper right perspective view thereof.



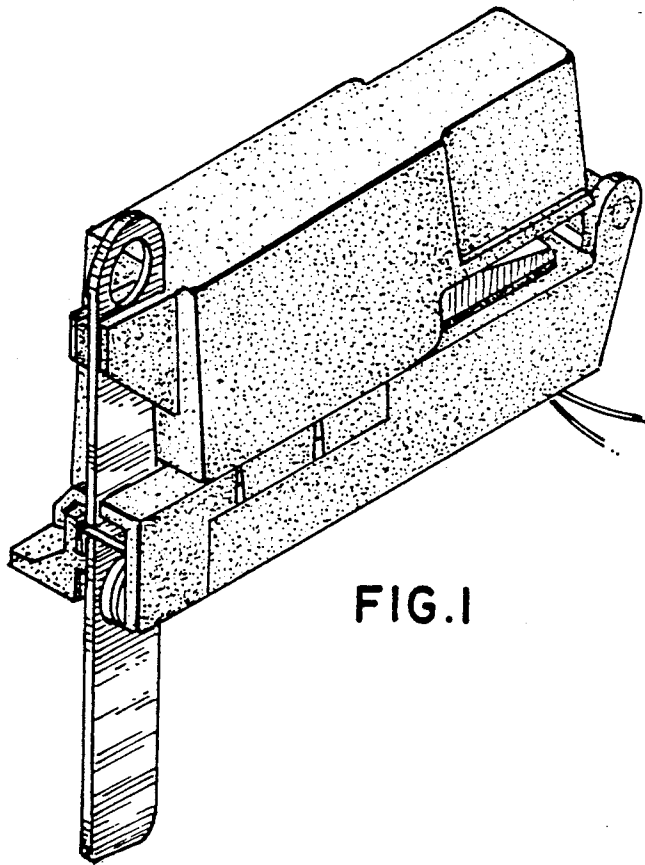


FIG. 1

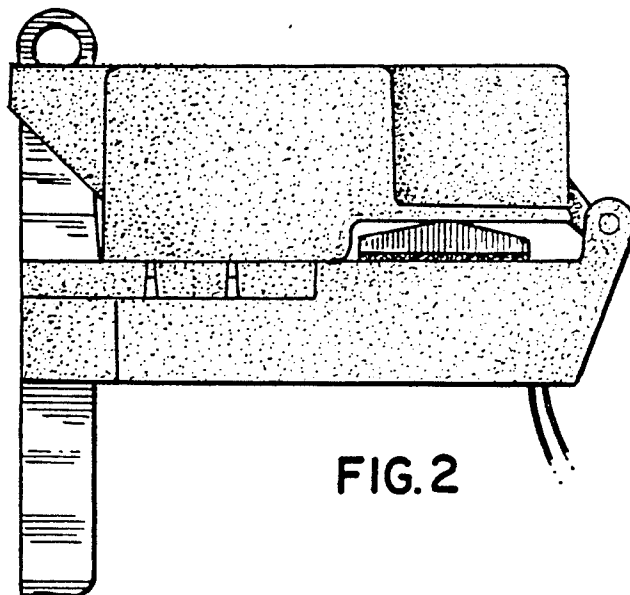


FIG. 2

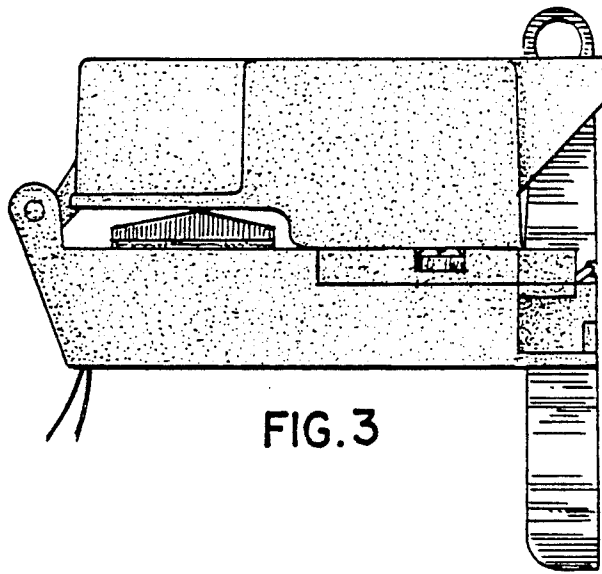


FIG. 3

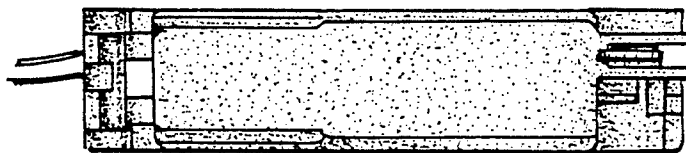


FIG. 4

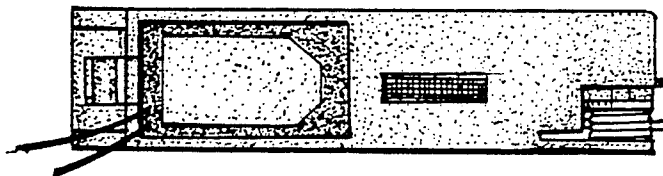


FIG. 5

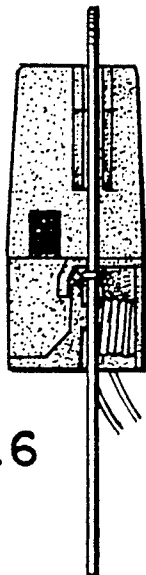


FIG. 6

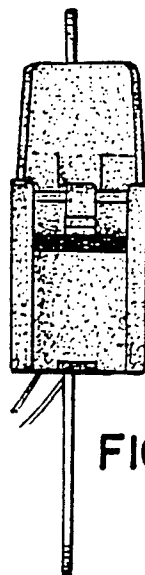


FIG. 7

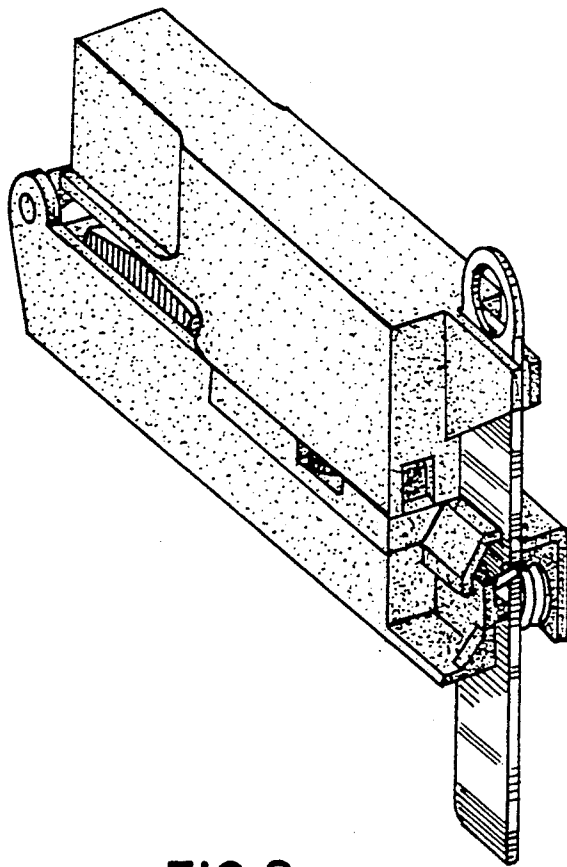


FIG. 8