



US00D594742S

(12) **United States Design Patent**  
**Meier et al.**

(10) **Patent No.:** **US D594,742 S**

(45) **Date of Patent:** **\*\* Jun. 23, 2009**

(54) **PACKAGE**

214,639 A 2/1879 Emery

(Continued)

(75) Inventors: **Lucien Meier**, La Neuveville (CH);  
**Marcel Leenderd Rodolphe van Rijssel**, Gorgier (CH); **Guylann Collet**,  
Chavornay (CH); **Julia Christina Andersen**, Gilching (DE); **Stephanie Irmgard Pauline Tiling**, Krailling (DE)

FOREIGN PATENT DOCUMENTS

DE 269 876 2/1914

(Continued)

OTHER PUBLICATIONS

(73) Assignee: **Philip Morris USA Inc.**, Richmond, VA (US)

English translation of European Search Report issued in EP 05 11 1339, dated Jun. 22, 2006.

(Continued)

(\*\*) Term: **14 Years**

*Primary Examiner*—Catherine Tuttle

(21) Appl. No.: **29/264,293**

(74) *Attorney, Agent, or Firm*—Buchanan Ingersoll & Rooney PC

(22) Filed: **Aug. 8, 2006**

(30) **Foreign Application Priority Data**

(57) **CLAIM**

Feb. 8, 2006 (EM) ..... 000477443

The ornamental design for a package, as shown and described.

(51) **LOC (9) Cl.** ..... **09-03**

**DESCRIPTION**

(52) **U.S. Cl.** ..... **D9/432**

(58) **Field of Classification Search** ..... D9/700,  
D9/701, 711, 715, 721, 734, 414, 418, 432;  
D3/201, 247, 297, 298, 302; D27/100, 101,  
D27/172, 715, 183, 186-191, 184; 229/100,  
229/103.2, 118, 122.32, 122.33, 122.34,  
229/125.01, 125.125, 125.12, 87.14, 87.13,  
229/92.8, 933, 937; 206/96, 104, 111, 122,  
206/131, 215, 236, 237, 240, 241, 242, 245,  
206/250, 254, 255, 259, 265, 267, 269, 270,  
206/271, 273, 274, 275, 276, 387.1, 424,  
206/472, 524.1, 525, 525.1, 39.5-39.7; 131/105,  
131/111-113, 347-368

FIG. 1 is a top, front, side perspective view of a package showing our new design in a closed position.

FIG. 2 is a top, front, side perspective view thereof in a partially opened position.

FIG. 3 is a perspective view thereof in a fully opened position.

FIG. 4 is a front elevational view in the closed position, the rear elevational view being a mirror image thereof.

FIG. 5 is a top plan view, the bottom plan view being a mirror image thereof; and,

FIG. 6 is a right side elevational view; the left side elevational view being a mirror image thereof.

See application file for complete search history.

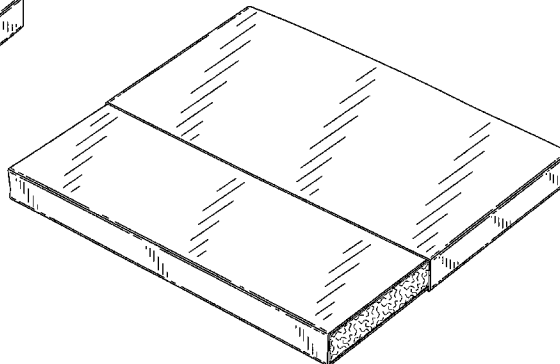
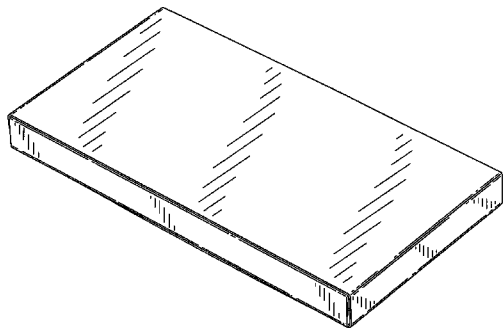
The broken lines are included for the purpose of illustrating an associated tobacco product that forms no part of the claimed design.

(56) **References Cited**

U.S. PATENT DOCUMENTS

45,489 A 12/1864 Green

**1 Claim, 6 Drawing Sheets**



U.S. PATENT DOCUMENTS

234,608	A *	11/1880	Painter .....	131/368
385,924	A *	7/1888	Griswold .....	229/122
414,077	A *	10/1889	Pike .....	229/103.2
695,201	A *	3/1902	Ferres .....	229/125.125
1,144,824	A	6/1915	Duda	
1,365,969	A	1/1921	Dula	
1,718,678	A	6/1929	Alland	
2,193,439	A *	3/1940	Van Doren .....	131/365
2,329,866	A *	9/1943	Van Sickels .....	206/256
2,479,453	A *	8/1949	Amatel .....	206/723
2,551,095	A	5/1951	Chaze	
3,491,768	A	1/1970	Paynter	
D222,402	S *	10/1971	Burnhill .....	D9/737
3,881,599	A *	5/1975	Flaherty .....	206/273
4,155,367	A	5/1979	Rudszinat et al.	
4,167,091	A	9/1979	Ruppert et al.	
4,303,082	A	12/1981	Thompson et al.	
4,453,631	A *	6/1984	Mark .....	206/313
4,609,104	A *	9/1986	Kasper et al. ....	206/524.2
4,620,551	A	11/1986	Ruppert et al.	
4,627,223	A *	12/1986	Janhonen .....	53/449
4,658,837	A	4/1987	Ruppert et al.	
4,887,617	A	12/1989	Ruppert et al.	
5,009,237	A	4/1991	Ruppert et al.	
5,072,740	A	12/1991	Gatschmann et al.	
5,141,000	A	8/1992	Ruppert et al.	
5,167,241	A	12/1992	Ruppert et al.	
5,197,495	A	3/1993	Ruppert et al.	
5,526,825	A	6/1996	Ruppert et al.	
5,615,692	A	4/1997	Ruppert et al.	
5,749,378	A	5/1998	Ruppert et al.	
6,491,211	B1 *	12/2002	Evans et al. ....	229/102

FOREIGN PATENT DOCUMENTS

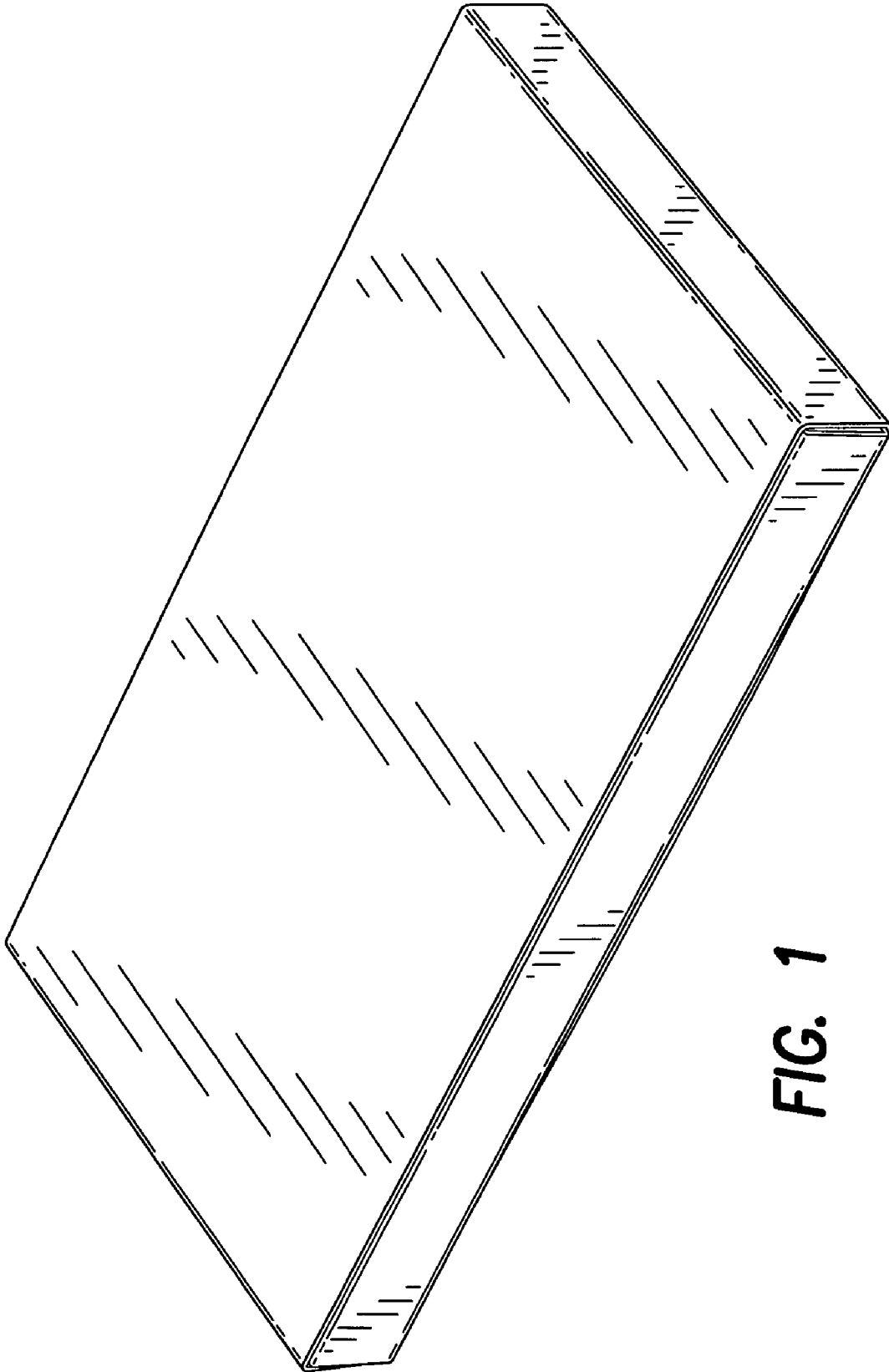
DE	338800	C1	7/1921
DE	471 253		2/1932
DE	2 049 587		5/1972
DE	2 139 242		3/1973
DE	26 24 493	A1	12/1977
DE	28 49 920	A1	5/1979
DE	31 49 584	A1	6/1983
DE	32 44 906	A1	6/1984
DE	37 06 504	A1	9/1988
DE	37 06 960	A1	9/1988
DE	37 11 061	A1	10/1988

DE	41 10 830	C1	5/1992
DE	41 07 027	A1	9/1992
DE	43 39 039	A1	5/1995
DE	44 47 794	C2	11/2002
DE	195 28 581	B4	5/2004
DE	103 46 649	A1	5/2005
DE	44 47 795	B4	4/2006
DE	10 2005 015	849 A1	10/2006
DE	20 2006 009	386 U1	10/2006
DE	20 2006 018	957 U1	6/2007
EP	0 144 060	A2	6/1985
EP	38 31 420	A1	3/1990
EP	0 399 143	A1	11/1990
EP	0 584 805	A1	3/1994
EP	0 532 728	B1	11/1994
EP	0 647 411	A1	4/1995
EP	0 378 774	A3	7/1999
EP	0 970 626	A1	1/2000
EP	1 138 214	A2	10/2001
EP	1 177 731	A2	2/2002
EP	1 604 577	A2	12/2005
EP	1 772 068	A1	4/2007
FR	981 912		6/1951
WO	WO 03/082030	A1	10/2003
WO	WO 2004/047569	A2	6/2004
WO	2005/104881	A1	11/2005
WO	2006/102763	A1	10/2006
WO	2006/130367	A2	12/2006
WO	2007/058811	A1	5/2007
WO	2007/060226	A1	5/2007
WO	2007/076349	A1	7/2007

OTHER PUBLICATIONS

European Search Report issued in EP 06 10 0613, dated Jun. 20, 2006.  
 International Search Report and Written Opinion of Jan. 29, 2007 (issued by the EPO for PCT/EP2006/068905).  
 Reynald Aeschlimann et al., U.S. Appl. No. 11/603,096, filed Nov. 22, 2006, entitled "Tobacco Slab".  
 Julia C. Andersen et al., U.S. Appl. No. 11/603,249, filed Nov. 22, 2006 "Device for Filling Cigarette Tubes with Tobacco".  
 Andre Feldmann, et al., U.S. Appl. No. 29/269,145, filed Nov. 22, 2006, entitled "Cigarette Forming Machine".  
 Lucien Meier et al., U.S. Appl. No. 29/264,284, filed Aug. 8, 2006, entitled "Tobacco Block".

\* cited by examiner



**FIG. 1**

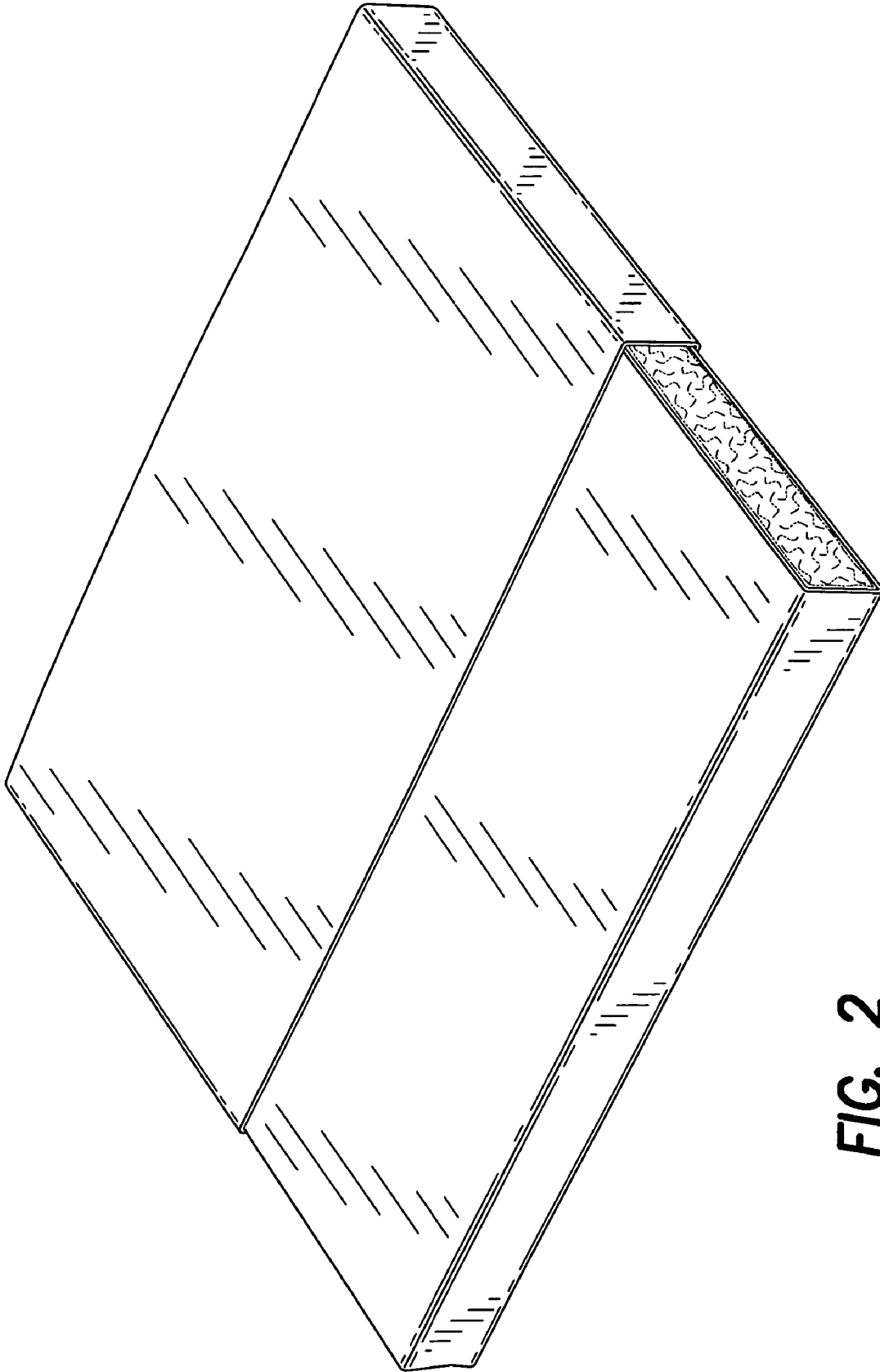


FIG. 2

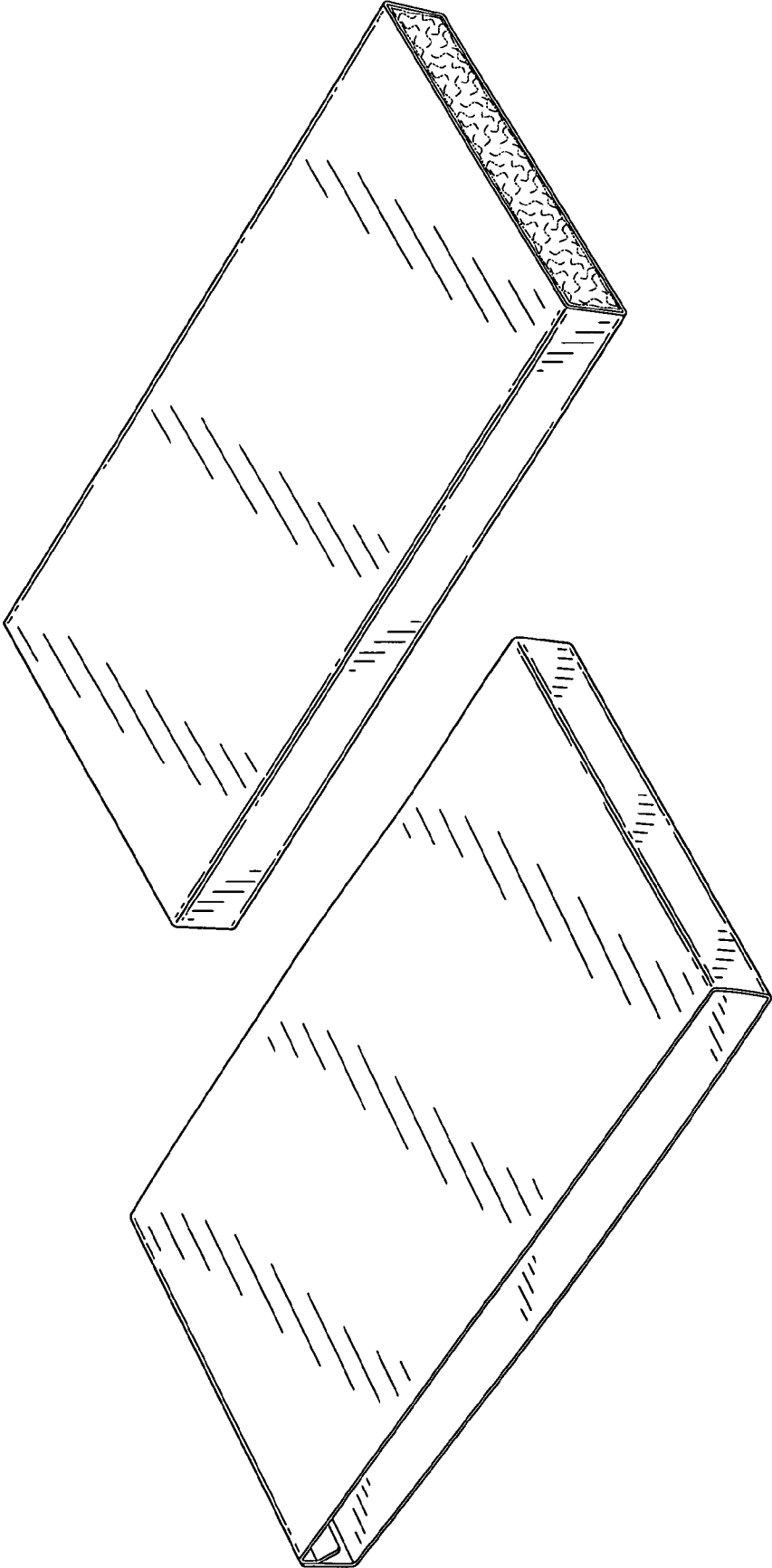
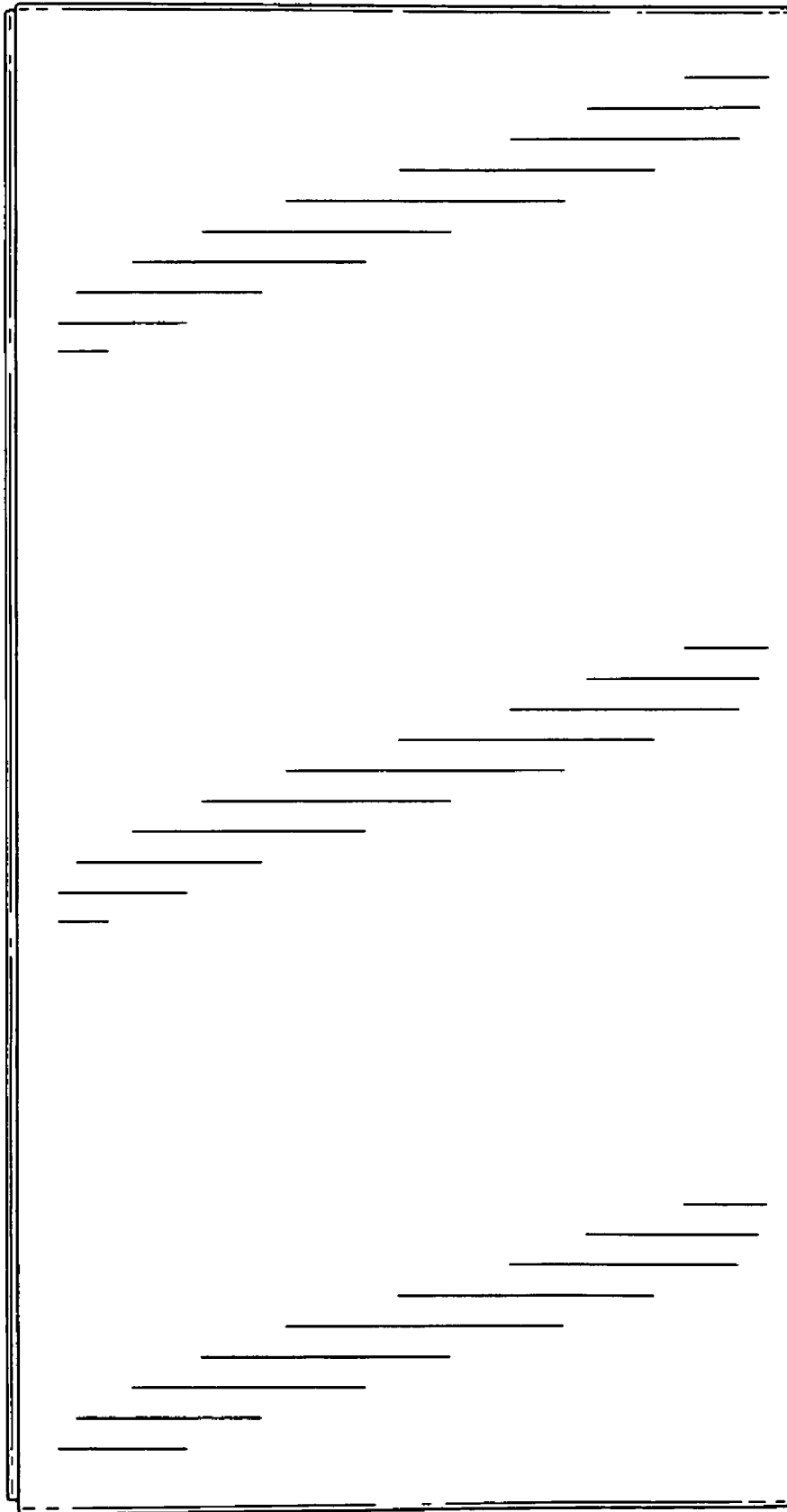


FIG. 3



**FIG. 4**



**FIG. 5**



**FIG. 6**