



US00D749919S

(12) **United States Design Patent**
Cianciolo

(10) **Patent No.:** **US D749,919 S**

(45) **Date of Patent:** **** Feb. 23, 2016**

(54) **COMBINED DIPPER, SPOON, AND SPREADER**

(71) Applicant: **David D Cianciolo**, Sandown, NH (US)

(72) Inventor: **David D Cianciolo**, Sandown, NH (US)

(**) Term: **14 Years**

(21) Appl. No.: **29/491,202**

(22) Filed: **May 19, 2014**

(51) **LOC (10) Cl.** **07-06**

(52) **U.S. Cl.**
USPC **D7/688**

(58) **Field of Classification Search**

USPC D7/680–690, 393, 395, 300.2;
30/324–328, 147; 15/236.01; 366/317

CPC A47J 43/28; A47G 21/02

See application file for complete search history.

(56) **References Cited**

U.S. PATENT DOCUMENTS

2,637,537	A *	5/1953	Arthur	A47J 43/0711
					366/317
3,411,723	A *	11/1968	Kohn	A61C 19/00
					15/236.01
D235,307	S	6/1975	Shoemaker		
D291,956	S *	9/1987	Fenner	D7/300.2
D376,514	S *	12/1996	Torkelson	D7/643
7,514,618	B2	4/2009	Calato		
D604,567	S *	11/2009	Lane	D7/649
D631,306	S *	1/2011	Capaul	D7/688
D686,045	S	7/2013	Stewart et al.		

D695,081	S	12/2013	Graham
D696,084	S	12/2013	Frei
2007/0210593	A1	9/2007	Stewart et al.
2008/0213437	A1	9/2008	Leonhardt

* cited by examiner

Primary Examiner — Terry Wallace

(74) *Attorney, Agent, or Firm* — Grossman, Tucker, Perreault & Pfleger, PLLC

(57) **CLAIM**

The ornamental design for a combined dipper, spoon, and spreader, as shown and described.

DESCRIPTION

FIG. 1 is a top perspective view of a combined dipper, spoon and spreader showing my new design.

FIG. 2 is a bottom perspective view of the combined dipper, spoon, and spreader of FIG. 1;

FIG. 3 is a top view of the combined dipper, spoon, and spreader of FIG. 1;

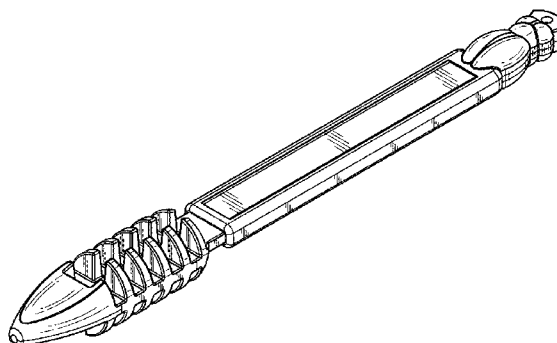
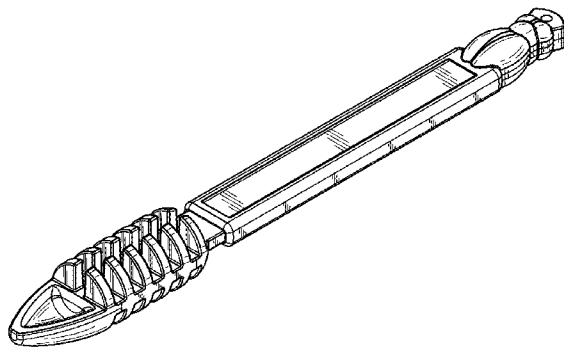
FIG. 4 is a bottom view of the combined dipper, spoon, and spreader of FIG. 1;

FIG. 5 is a front view of the combined dipper, spoon, and spreader of FIG. 1;

FIG. 6 is a back view of the combined dipper, spoon, and spreader of FIG. 1; and,

FIG. 7 is a left side view, the opposite side being a mirror image, of the combined dipper, spoon, and spreader of FIG. 1.

1 Claim, 4 Drawing Sheets



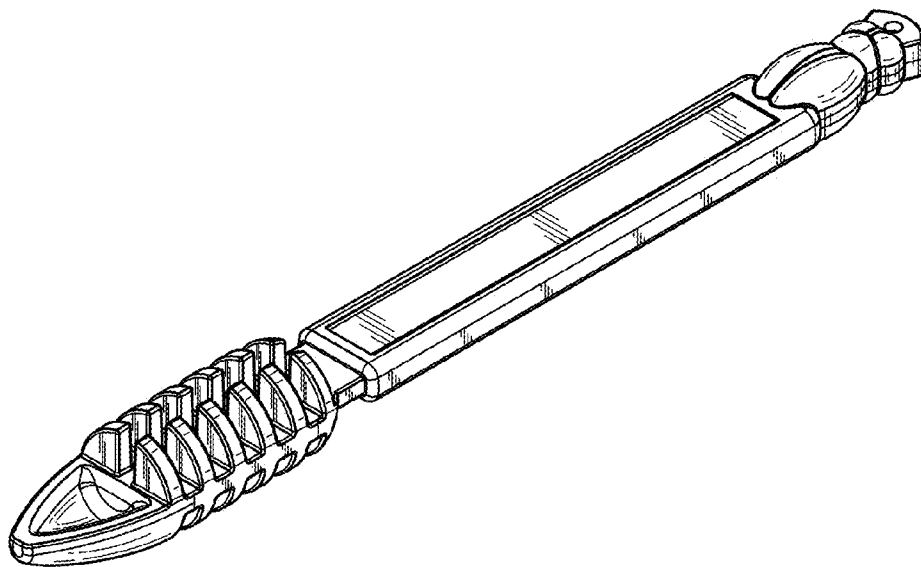


FIG. 1

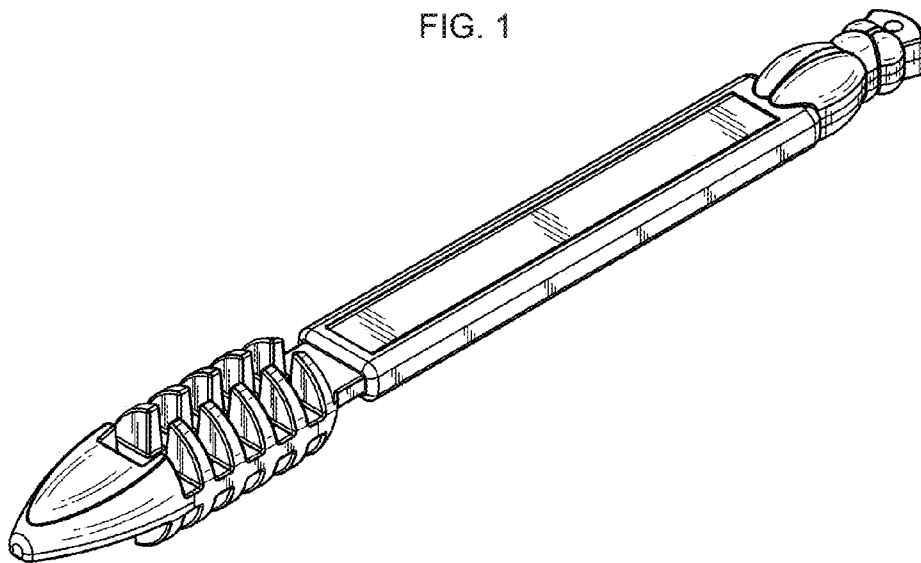


FIG. 2

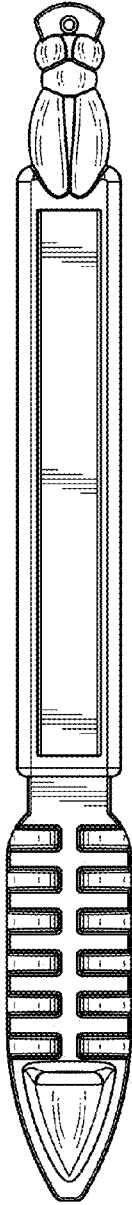


FIG. 3

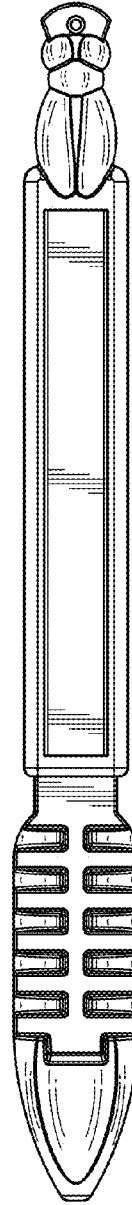


FIG. 4

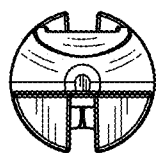


FIG. 5

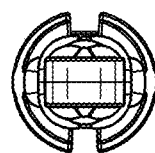


FIG. 6

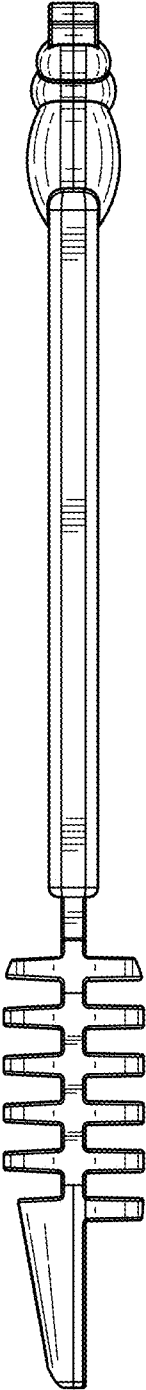


FIG. 7