



US00D667649S

(12) **United States Design Patent**
Waite et al.

(10) **Patent No.:** **US D667,649 S**

(45) **Date of Patent:** **** Sep. 25, 2012**

(54) **CHAIR**

(75) Inventors: **Donald Waite**, North Ogden, UT (US);
Ed VanNimwegen, North Ogden, UT
(US); **Rich Howe**, Pleasant View, UT
(US)

(73) Assignee: **Lifetime Products, Inc.**, Clearfield, UT
(US)

(**) Term: **14 Years**

(21) Appl. No.: **29/410,145**

(22) Filed: **Jan. 4, 2012**

Related U.S. Application Data

(63) Continuation of application No. 12/327,678, filed on
Dec. 3, 2008.

(51) **LOC (9) Cl.** **06-01**

(52) **U.S. Cl.** **D6/368**

(58) **Field of Classification Search** D6/334-336,
D6/368, 371-373, 374, 376, 379, 380, 500-502;
297/16.1, 40, 41, 55, 56, 58, 183.7, 452.1,
297/452.21, 542.29, 452.36, 452.64
See application file for complete search history.

(56) **References Cited**

U.S. PATENT DOCUMENTS

| | | |
|-------------|---------|-------------------|
| D107,545 S | 12/1937 | O'Connor |
| 2,294,340 A | 8/1942 | Irven |
| 2,458,095 A | 1/1949 | O'Connor |
| 3,431,022 A | 3/1969 | Poppe et al. |
| D214,267 S | 5/1969 | Moore et al. |
| 6,027,171 A | 2/2000 | Partington et al. |
| 6,036,272 A | 3/2000 | Samples et al. |
| D435,977 S | 1/2001 | Ambasz |
| D436,457 S | 1/2001 | Ambasz |
| D443,429 S | 6/2001 | Mower et al. |
| D452,619 S | 1/2002 | Piretti |

| | | |
|--------------|---------|----------------|
| D465,665 S | 11/2002 | Ritchie et al. |
| D466,712 S | 12/2002 | Haney et al. |
| D472,064 S | 3/2003 | Haney et al. |
| D472,723 S | 4/2003 | Haney et al. |
| D472,745 S | 4/2003 | Haney et al. |
| D473,059 S | 4/2003 | Haney et al. |
| 6,543,842 B2 | 4/2003 | Haney |
| D476,162 S | 6/2003 | Finazzi |
| D477,470 S | 7/2003 | Haney et al. |
| D477,926 S | 8/2003 | Haney et al. |
| D477,939 S | 8/2003 | Haney et al. |
| D481,550 S | 11/2003 | Astle |
| D482,540 S | 11/2003 | Ashby |
| D482,543 S | 11/2003 | Haney et al. |
| D489,192 S | 5/2004 | Jin et al. |

(Continued)

OTHER PUBLICATIONS

U.S. Appl. No. 29/394,086, filed Jun. 13, 2011, Ashby et al.

(Continued)

Primary Examiner — Susan Bennett Hattan

Assistant Examiner — Barbara B Lohr

(74) *Attorney, Agent, or Firm* — Maschoff Gilmore & Israelsen

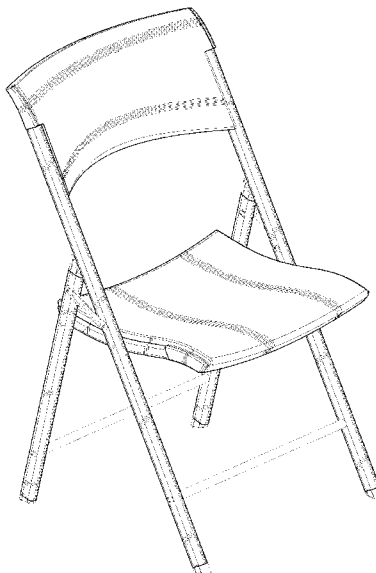
(57) **CLAIM**

The ornamental design for a chair, as shown and described.

DESCRIPTION

FIG. 1 is an upper perspective view of an chair;
FIG. 2 is a front view of the chair;
FIG. 3 is a rear view of the chair;
FIG. 4 is a left side view of the chair;
FIG. 5 is a right side view of the chair;
FIG. 6 is a top view of the chair; and,
FIG. 7 is a bottom view of the chair.
The broken lines shown in the figures depict environmental
subject matter only and form no part of the claimed design.

1 Claim, 7 Drawing Sheets



US D667,649 S

Page 2

U.S. PATENT DOCUMENTS

| | | | | |
|-----------|----|-----------|-------------------|--------|
| D498,071 | S | 11/2004 | Ashby et al. | |
| 6,871,906 | B2 | 3/2005 | Haney | |
| D506,325 | S | 6/2005 | Farber et al. | |
| D507,425 | S | 7/2005 | Ashby et al. | |
| D508,339 | S | 8/2005 | Astle | |
| 7,014,261 | B2 | 3/2006 | Haney | |
| 7,017,986 | B2 | 3/2006 | Degen et al. | |
| D519,292 | S | 4/2006 | Ashby | |
| D523,254 | S | 6/2006 | Nye et al. | |
| D544,225 | S | 6/2007 | Cantarutti | |
| 7,452,035 | B2 | 11/2008 | Astle et al. | |
| D647,718 | S | * 11/2011 | Chen | D6/368 |
| D648,554 | S | * 11/2011 | Smith | D6/368 |
| D653,471 | S | * 2/2012 | Chan | D6/368 |
| D655,932 | S | * 3/2012 | Ashby et al. | D6/368 |

| | | | |
|--------------|----|---------|--------------|
| 2003/0168894 | A1 | 9/2003 | Lin |
| 2005/0104421 | A1 | 5/2005 | Astle et al. |
| 2005/0121947 | A1 | 6/2005 | Haney |
| 2007/0257524 | A1 | 11/2007 | Huang |

OTHER PUBLICATIONS

U.S. Appl. No. 29/327,678, filed Dec. 3, 2008, Waite et al.
U.S. Appl. No. 60/975,788, filed Sep. 27, 2007, van Nimwegen et al.
U.S. Appl. No. 61/094,759, filed Sep. 5, 2008, van Nimwegen et al.
U.S. Appl. No. 61/239,736, filed Sep. 3, 2010, van Nimwegen et al.
International Search Report and Written Opinion from PCT International Application No. PCT/US2008/085564, date Aug. 19, 2009, 8 pages.

* cited by examiner

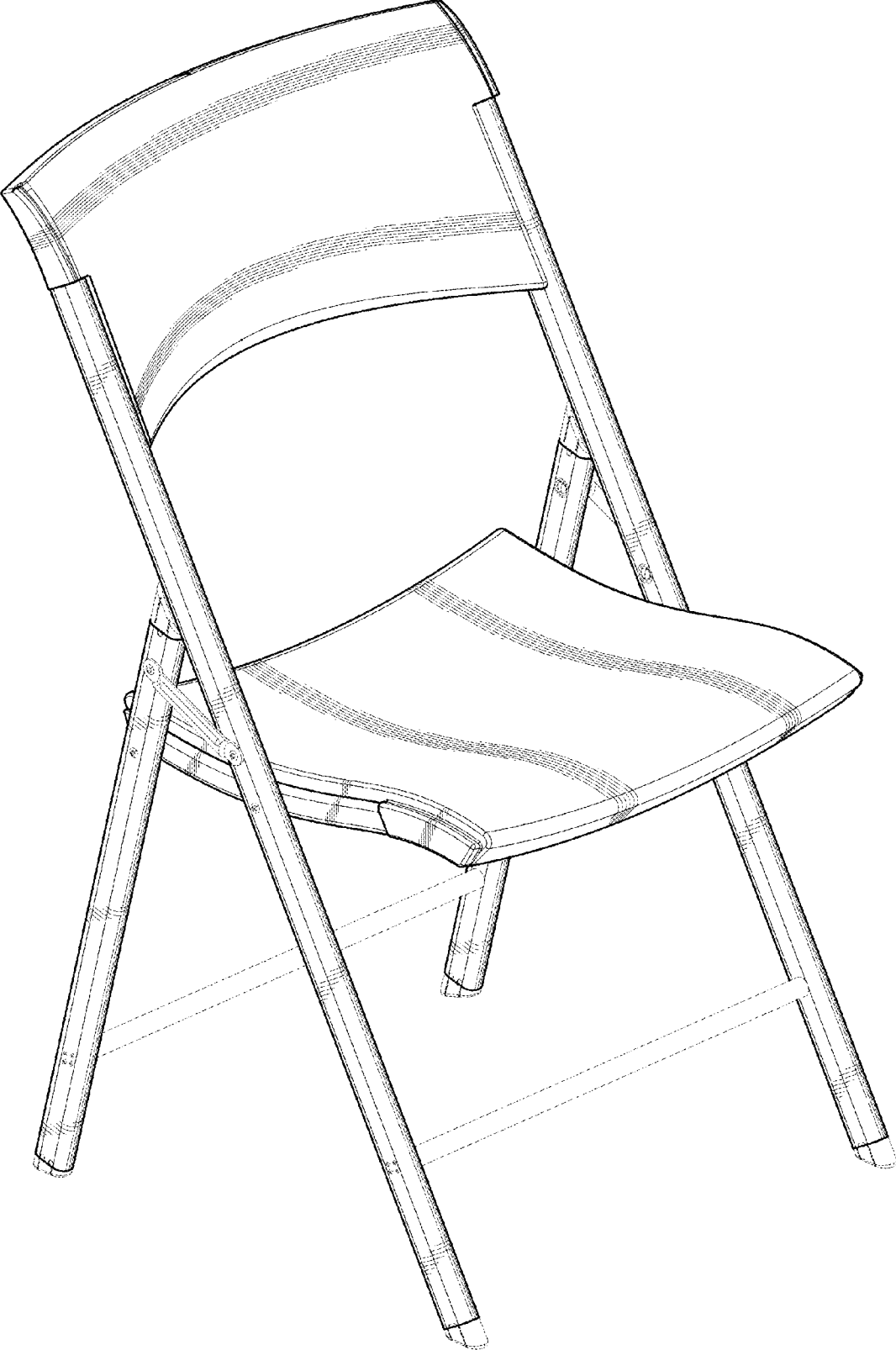


Fig. 1

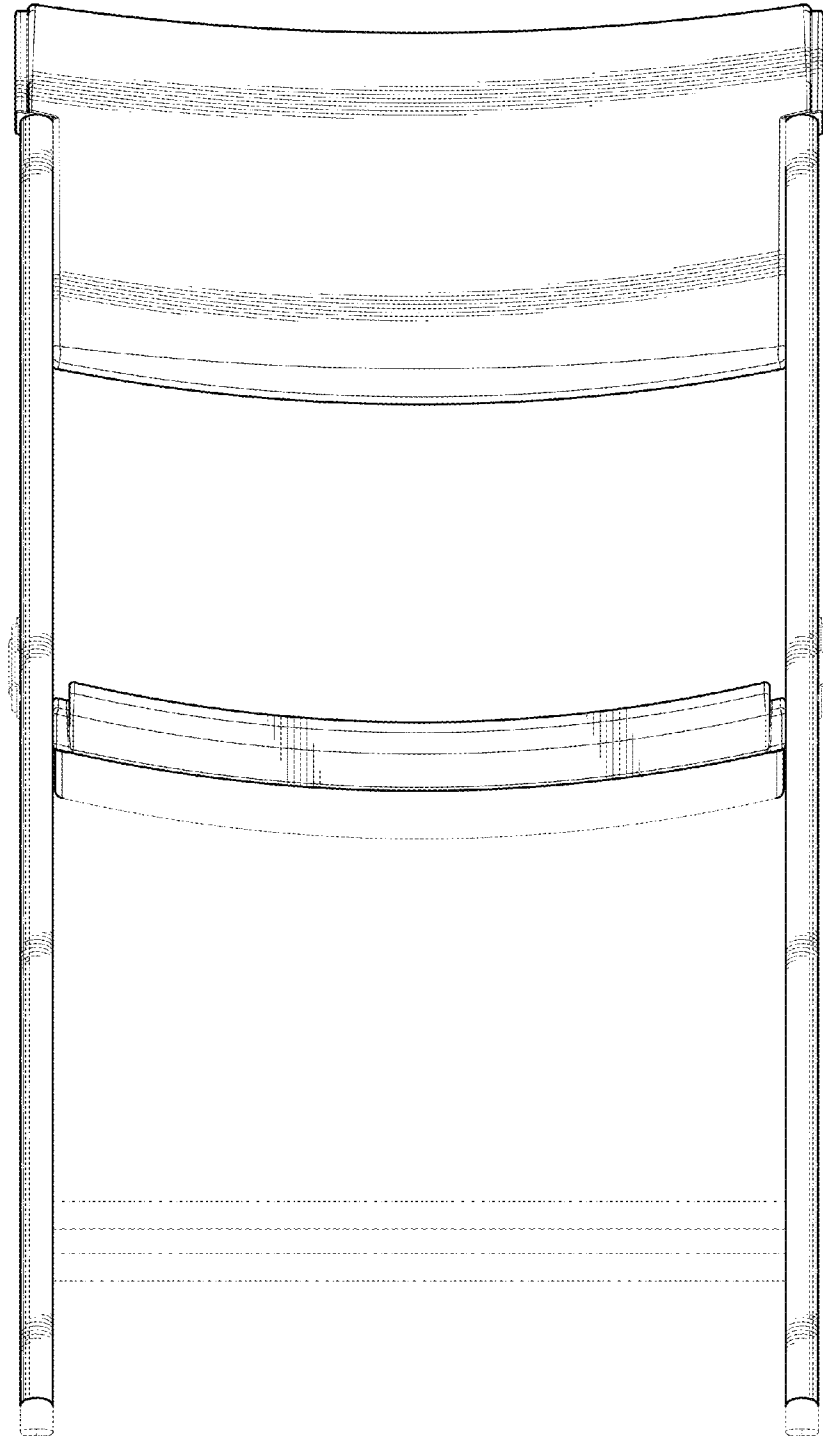


Fig. 2

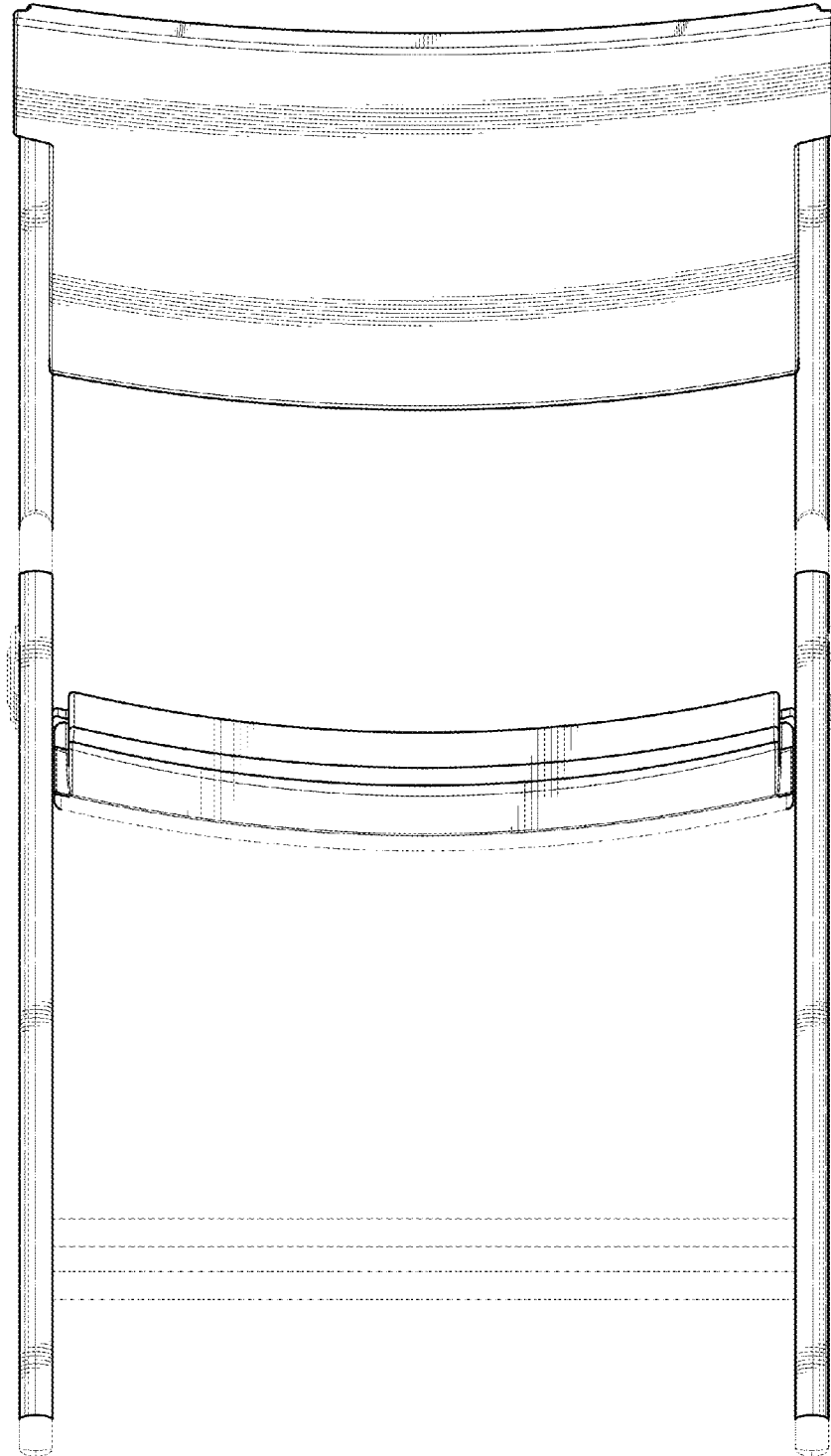


Fig. 3

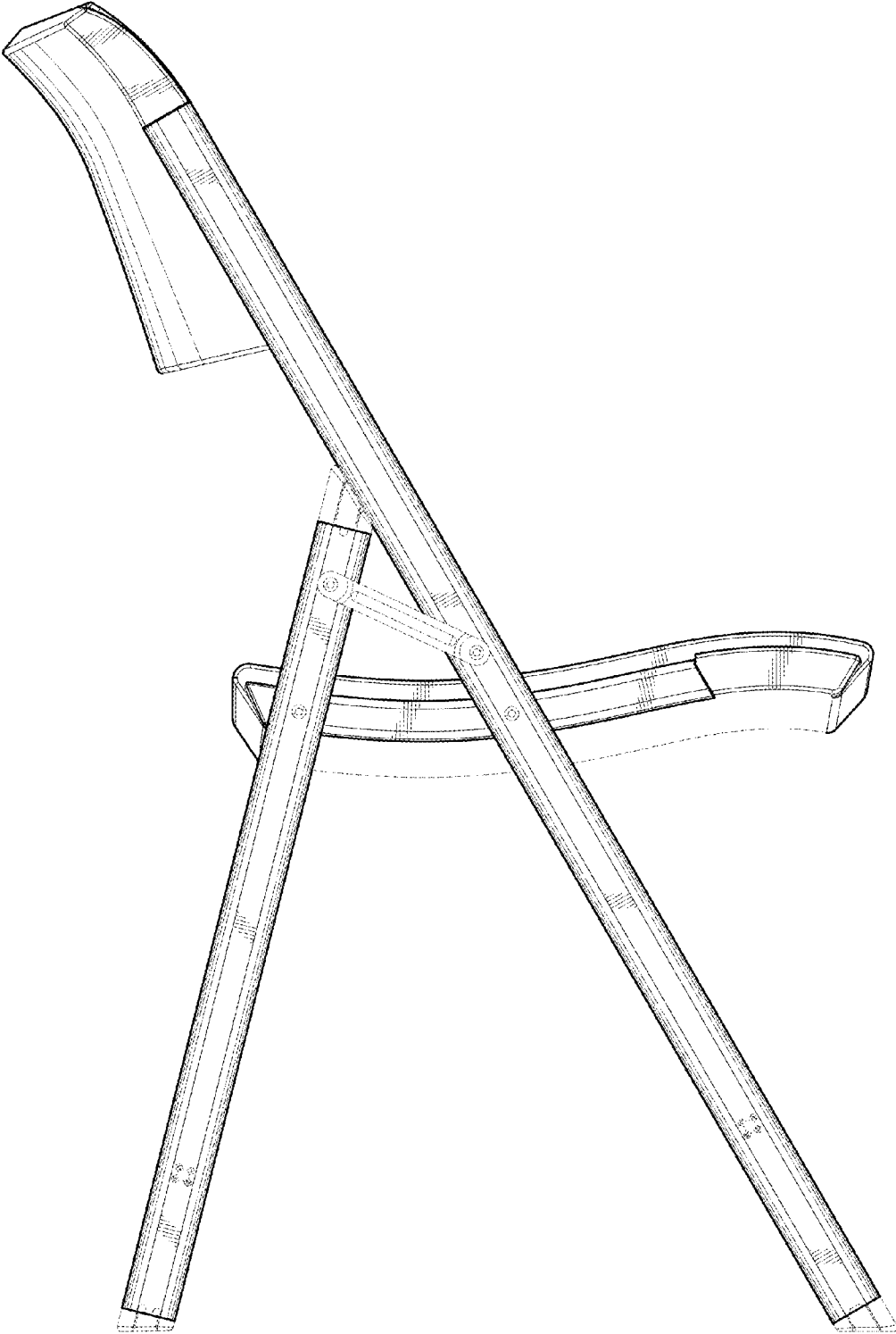


Fig. 4

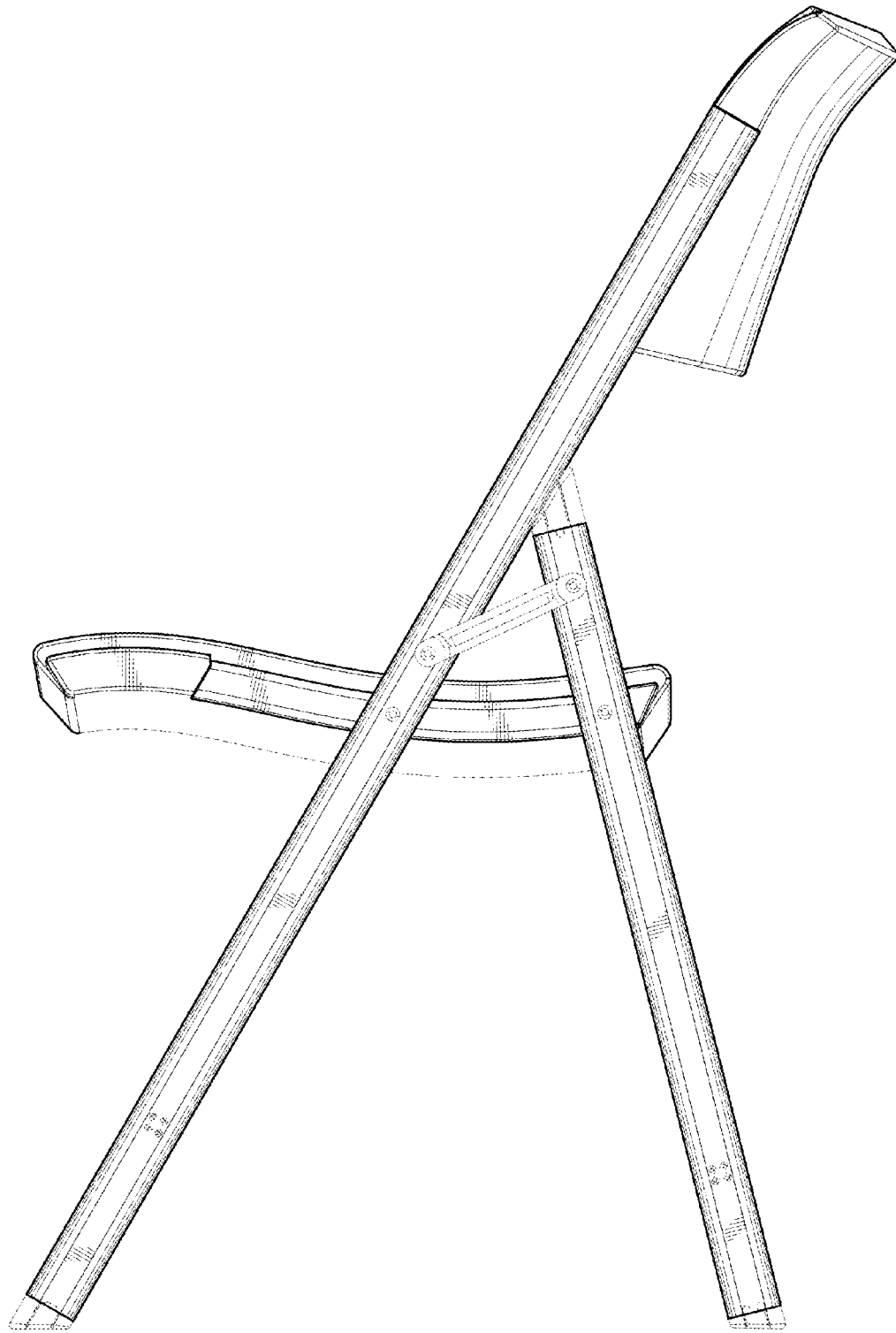


Fig. 5

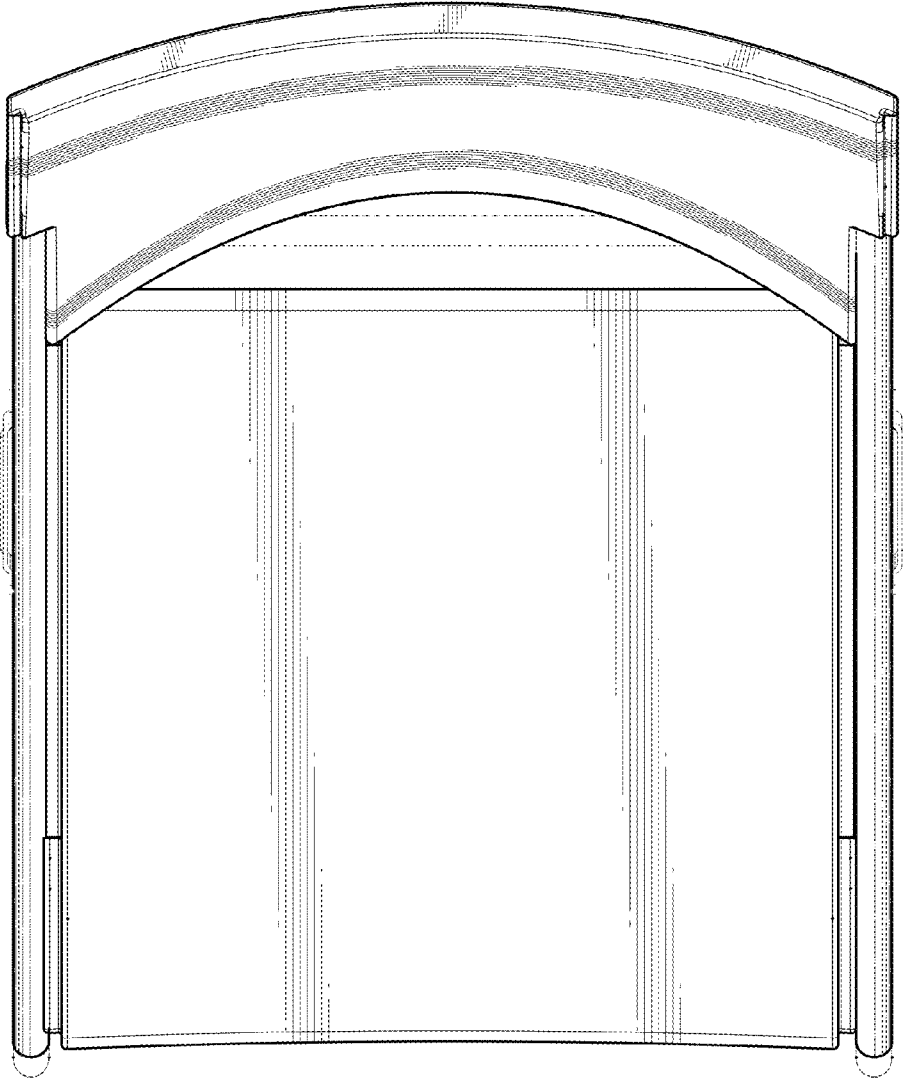


Fig. 6

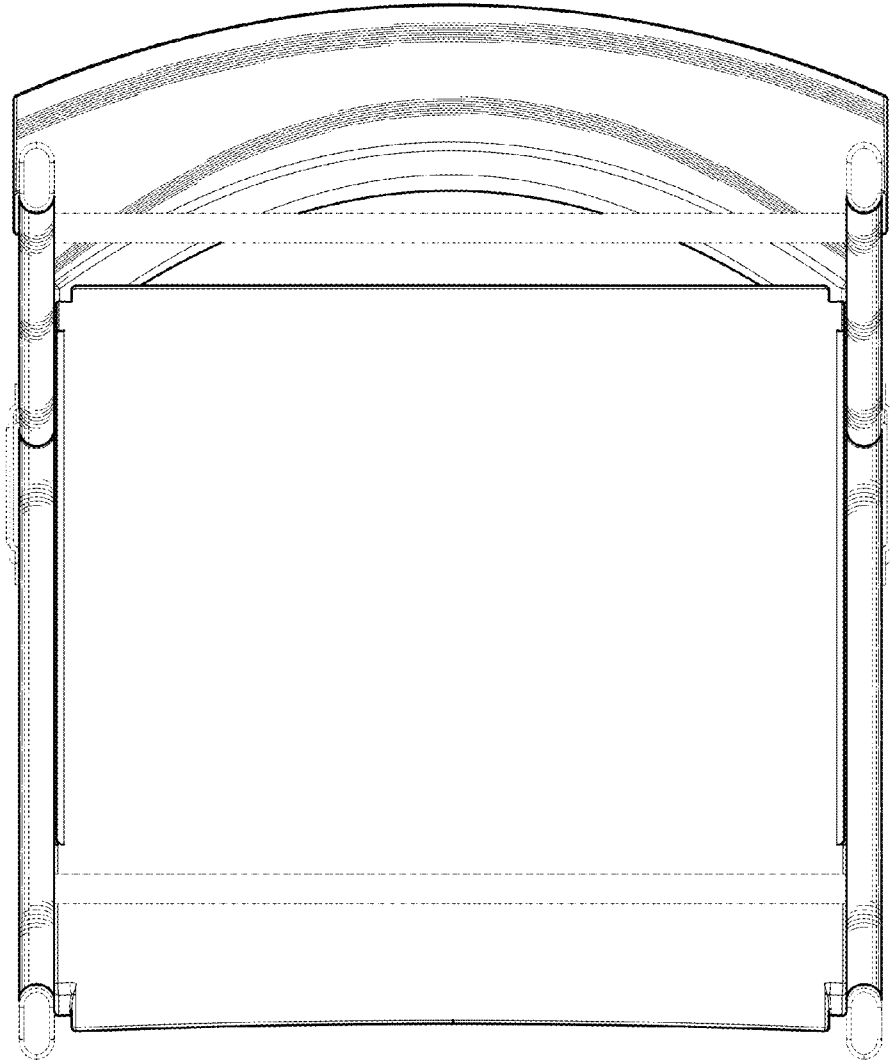


Fig. 7

UNITED STATES PATENT AND TRADEMARK OFFICE
CERTIFICATE OF CORRECTION

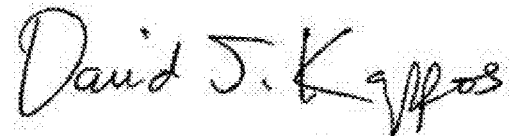
PATENT NO. : D667,649 S
APPLICATION NO. : 29/410145
DATED : September 25, 2012
INVENTOR(S) : Donald Waite et al.

Page 1 of 1

It is certified that error appears in the above-identified patent and that said Letters Patent is hereby corrected as shown below:

1. On the Face Page, in Field (57), under "DESCRIPTION", in Column 2, Line 1, delete "of an" and insert -- of a --, therefor.

Signed and Sealed this
Twenty-fifth Day of December, 2012

A handwritten signature in black ink that reads "David J. Kappos". The signature is written in a cursive style with a large initial 'D' and 'K'.

David J. Kappos
Director of the United States Patent and Trademark Office