

[54] LOUDSPEAKER

[76] Inventor: Ronald Olsen, P.O. Box 616, Union Station, Endicott, N.Y. 13760

[**] Term: 14 Years

[21] Appl. No.: 559,727

[22] Filed: Dec. 9, 1983

[52] U.S. Cl. D14/30; D14/33

[58] Field of Search D14/30, 32-34; 181/150, 153, 199; 381/88, 90

[56] References Cited

U.S. PATENT DOCUMENTS

2,955,669	10/1960	Rice	181/199
4,083,426	4/1978	Peugh	181/199 X
4,299,304	11/1981	Rebsch	181/199 X

FOREIGN PATENT DOCUMENTS

913655	9/1946	France	181/199
--------	--------	--------	---------

Primary Examiner—Charles A. Rademaker

Assistant Examiner—Theodore M. Shooman
Attorney, Agent, or Firm—Ralph R. Barnard; Michael F. Brown

[57] CLAIM

The ornamental design for a loudspeaker, as shown.

DESCRIPTION

FIG. 1 is a front elevational view of a loudspeaker showing my new design, shown with additional speakers mounted on the face;

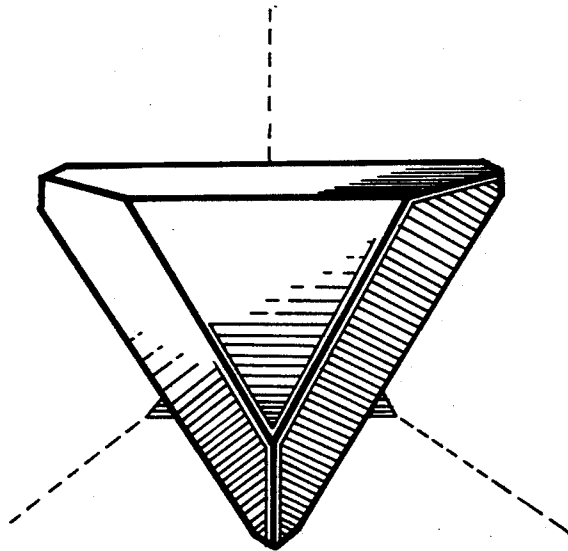
FIG. 2 is a front elevational view thereof;

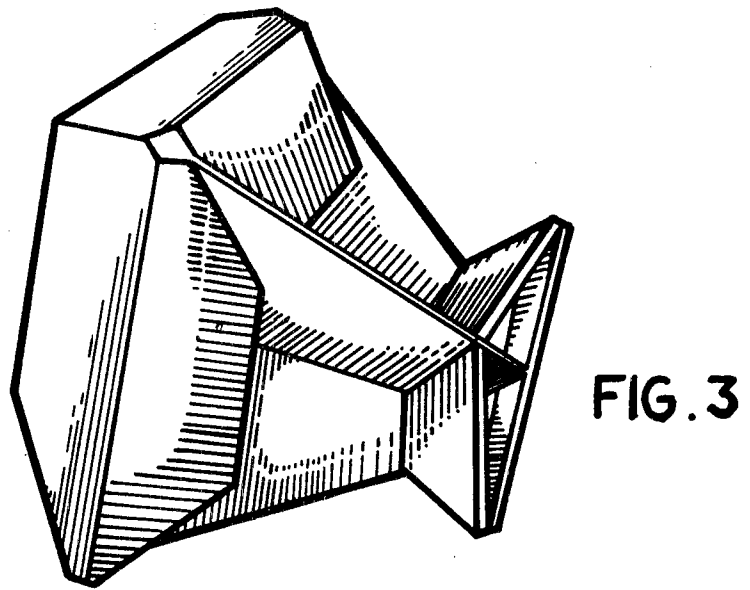
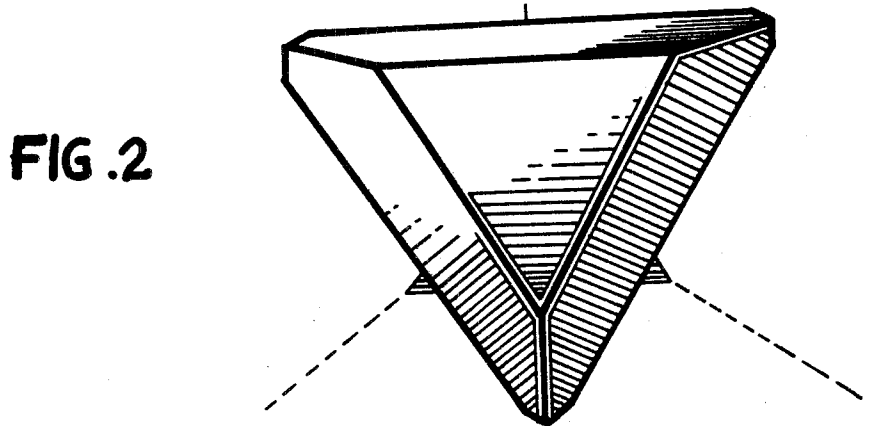
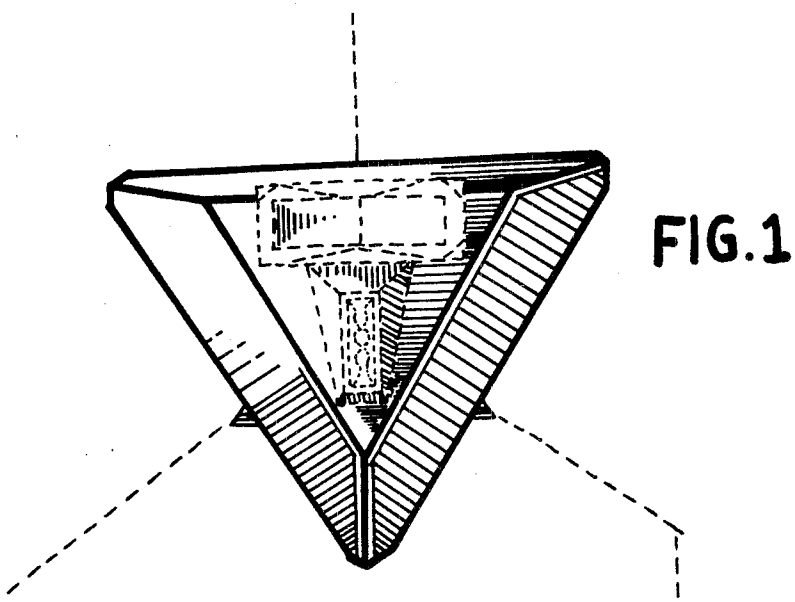
FIG. 3 is a side elevational view thereof, the opposite side being identical;

FIG. 4 is a top, front and side isometric view thereof; and

FIG. 5 is a bottom, front and side isometric view thereof.

The broken line showing of additional speakers on top of the claimed loudspeaker in FIG. 1 and the corner of the room in FIGS. 1 and 2 is for illustrative purposes only and forms no part of the claimed design.





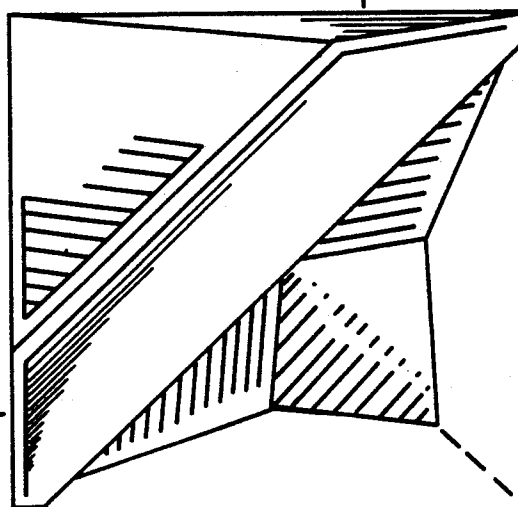


Fig. 4

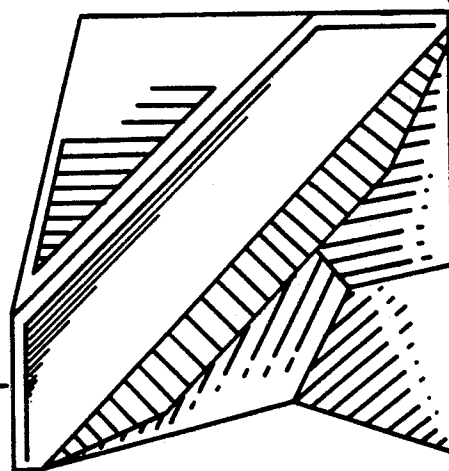


Fig. 5