



US00D868073S

(12) **United States Design Patent**
Smith

(10) **Patent No.:** **US D868,073 S**

(45) **Date of Patent:** **** Nov. 26, 2019**

- (54) **ADJUSTABLE VIEWING STAND**
- (71) Applicant: **R.D.S INDUSTRIES, INC.**, Torrance, CA (US)
- (72) Inventor: **Richard D. Smith**, Fountain Hills, AZ (US)
- (73) Assignee: **R.D.S. INDUSTRIES, INC.**, Torrance, CA (US)

- 8,328,008 B2 12/2012 Diebel et al.
- D676,853 S 2/2013 Gengler
- D693,824 S 11/2013 Erdfarb
- D703,676 S * 4/2014 Smith D14/447
- D705,785 S 5/2014 Wang
- D712,412 S 9/2014 Bleau et al.
- 8,887,903 B2 11/2014 Diebel et al.
- D728,581 S 5/2015 Feinberg et al.
- D733,155 S 6/2015 van Hooft et al.
- D737,837 S 9/2015 Bae et al.
- D741,867 S 10/2015 Liu

(Continued)

(**) Term: **15 Years**

Primary Examiner — Angela J Lee

(21) Appl. No.: **29/675,202**

(74) *Attorney, Agent, or Firm* — Marshall A. Lerner; Marvin H. Kleinberg; Kleinberg & Lerner, LLP

(22) Filed: **Dec. 28, 2018**

(51) **LOC (12) Cl.** **08-07**

(52) **U.S. Cl.**
USPC **D14/447**

(58) **Field of Classification Search**
 USPC D14/447, 432, 434, 439, 440, 451, 452, D14/457, 239; D8/363, 373, 380; D6/406.3, 406.4, 406.5, 406.6; D12/415; D21/330, 331
 CPC A47B 21/04; A47B 2097/006; A47B 2097/005; A47B 2023/049; A45C 2011/002; A45C 2011/003; F16M 2200/00; F16M 13/00
 See application file for complete search history.

(57) **CLAIM**

The ornamental design for an adjustable viewing stand, as shown and described.

DESCRIPTION

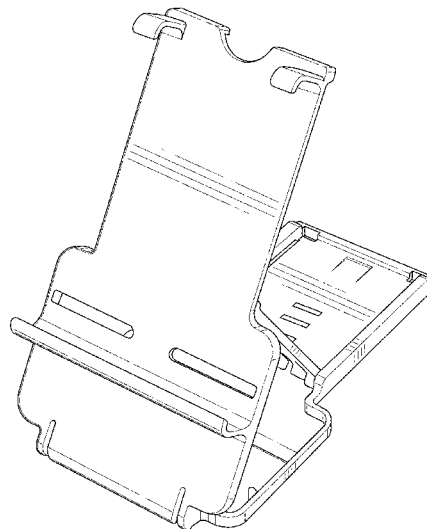
FIG. 1 is a front perspective view of the adjustable viewing stand in the open position showing my new design;
 FIG. 2 a front perspective view thereof adapted for holding a device;
 FIG. 3 is a rear perspective view thereof;
 FIG. 4 is a rear perspective view thereof in the closed position;
 FIG. 5 is a front elevation view thereof in the closed position;
 FIG. 6 is a rear elevation view thereof in the closed position;
 FIG. 7 is a right elevation view thereof the closed position;
 FIG. 8 is a left elevation view thereof in the closed position;
 FIG. 9 is a top plan view thereof in the closed position; and
 FIG. 10 is a bottom plan view in the closed position.
 The broken lines are included for illustrative purposes only and form no part of the claim.

(56) **References Cited**

U.S. PATENT DOCUMENTS

- 5,927,673 A 7/1999 Kurokawa et al.
- D513,008 S 12/2005 Takizawa et al.
- D594,849 S 6/2009 Ko
- 7,561,415 B2 7/2009 Liou et al.
- D639,816 S 6/2011 Bau
- D644,428 S 9/2011 Feng
- D658,168 S * 4/2012 Werth D14/253

1 Claim, 10 Drawing Sheets



(56)

References Cited

U.S. PATENT DOCUMENTS

| | | | | |
|-----------|-----|---------|---------------|---------|
| D750,634 | S | 3/2016 | Langhein | |
| D756,367 | S * | 5/2016 | Kim | D14/447 |
| D763,855 | S | 8/2016 | Poon et al. | |
| D784,355 | S * | 4/2017 | Hsu | D14/447 |
| 9,661,906 | B2 | 5/2017 | Diebel et al. | |
| D808,973 | S | 1/2018 | Chen | |
| D822,996 | S | 7/2018 | Ehara et al. | |
| D825,575 | S * | 8/2018 | Gao | D14/447 |
| D829,725 | S * | 10/2018 | Luo | D14/447 |
| D833,446 | S * | 11/2018 | Elder | D14/447 |
| D833,447 | S | 11/2018 | Zhang et al. | |
| D839,869 | S * | 2/2019 | Wang | D14/253 |
| D840,407 | S * | 2/2019 | Hsu | D14/447 |
| D842,305 | S * | 3/2019 | Gao | D14/447 |

* cited by examiner

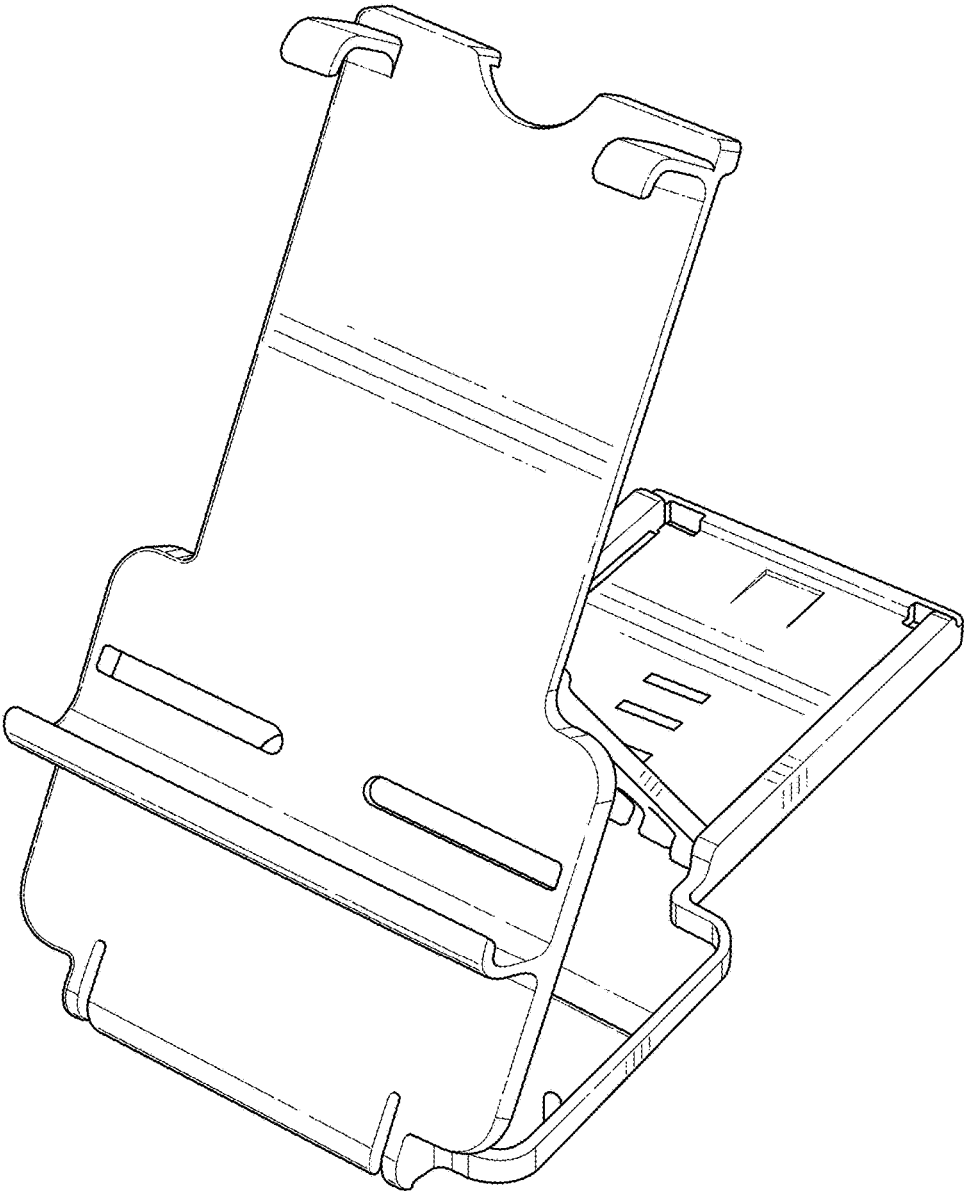


FIG. 1

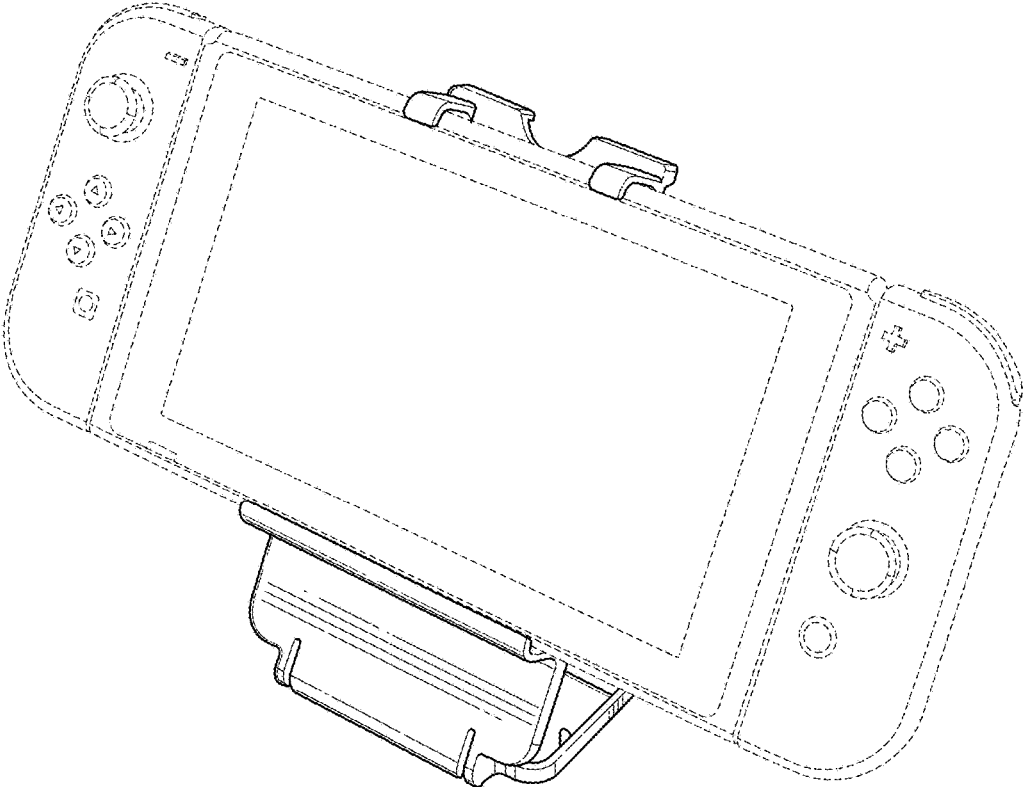


FIG. 2

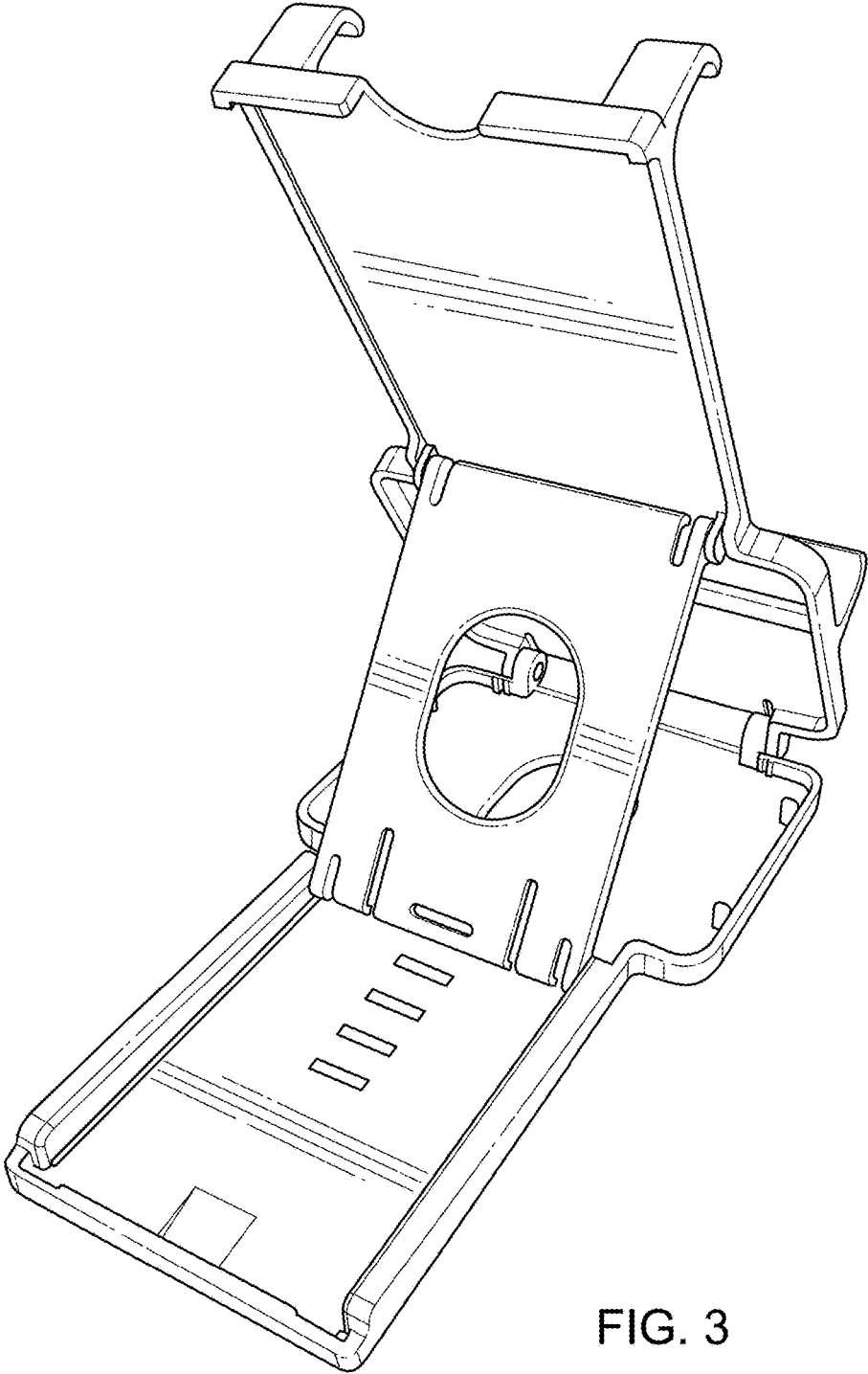


FIG. 3

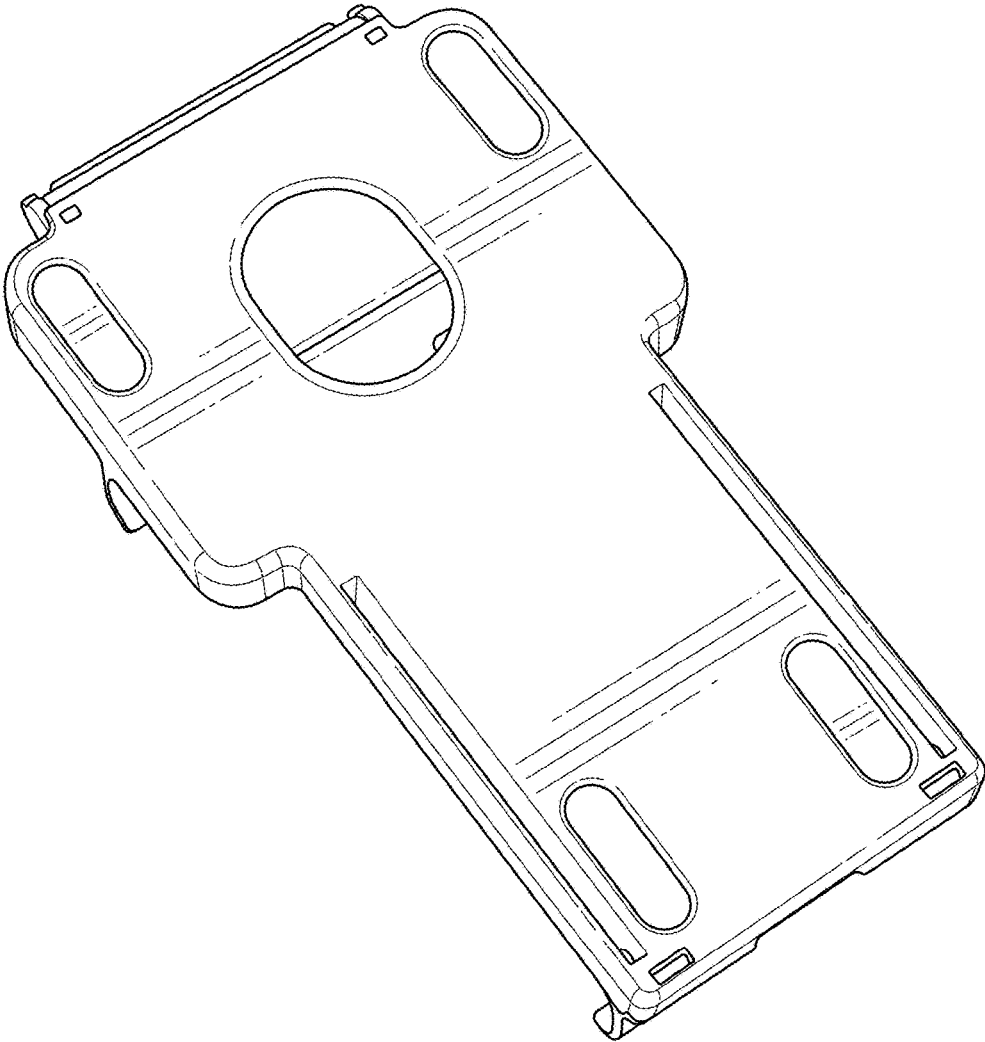


FIG. 4

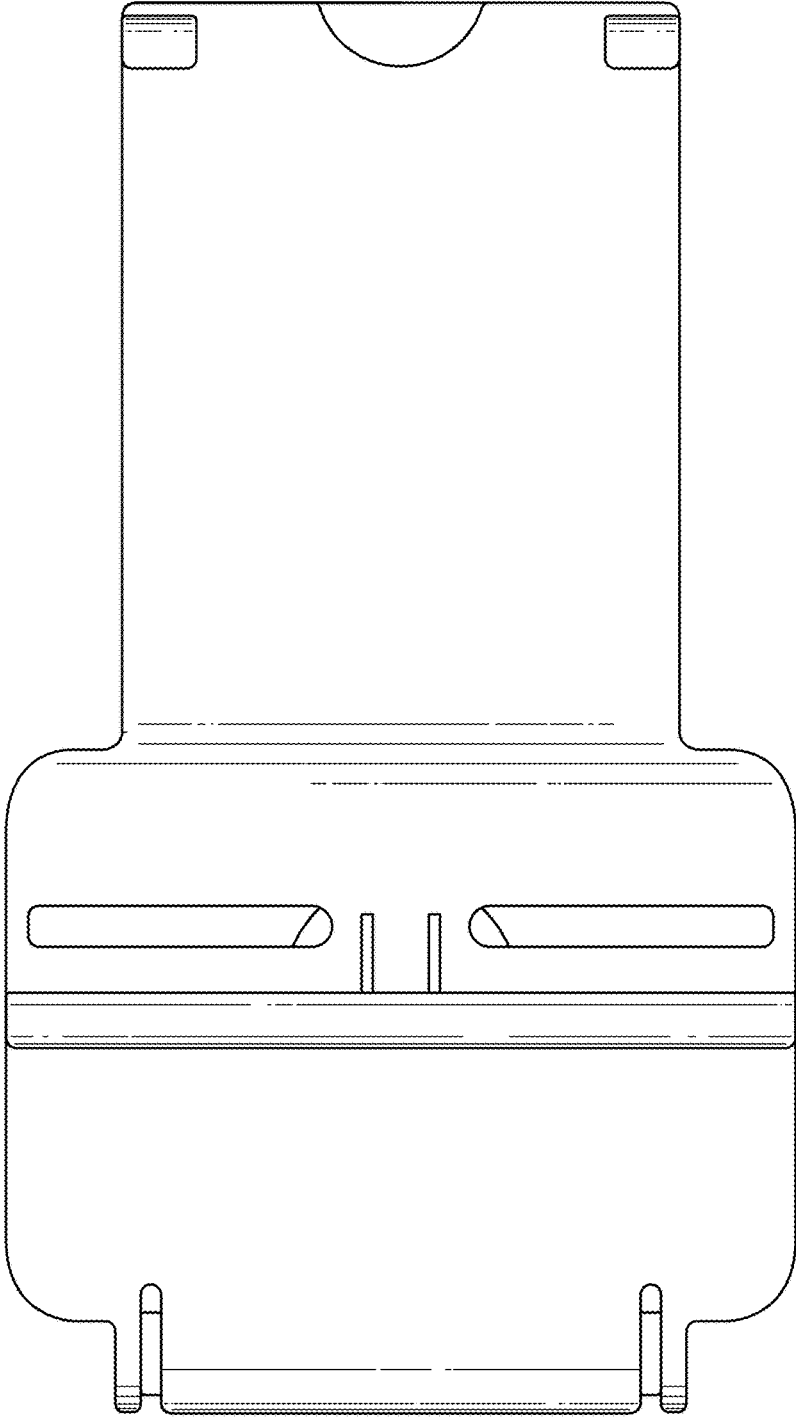


FIG. 5

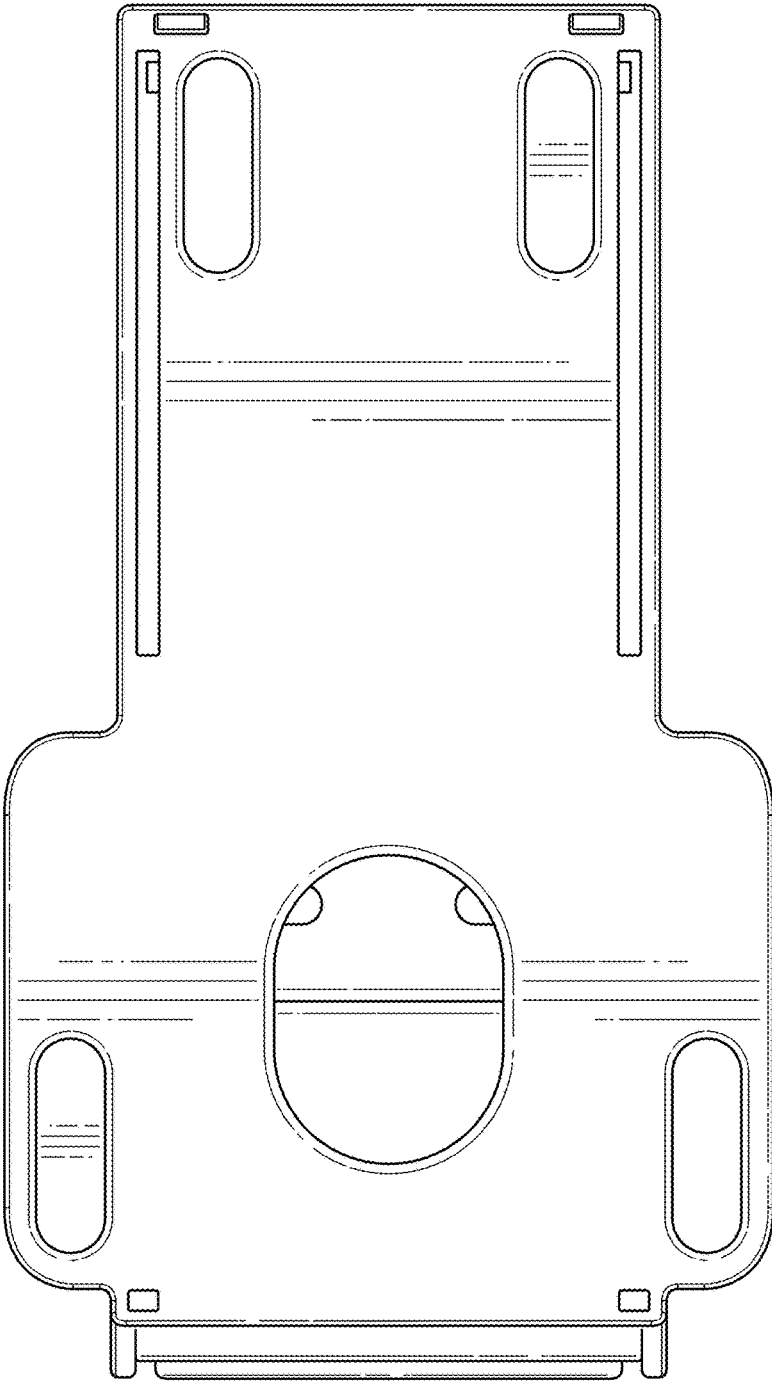


FIG. 6

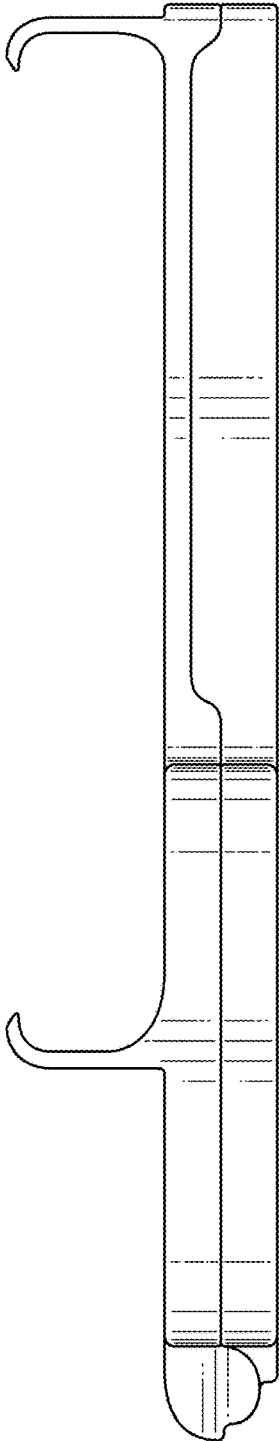


FIG. 7

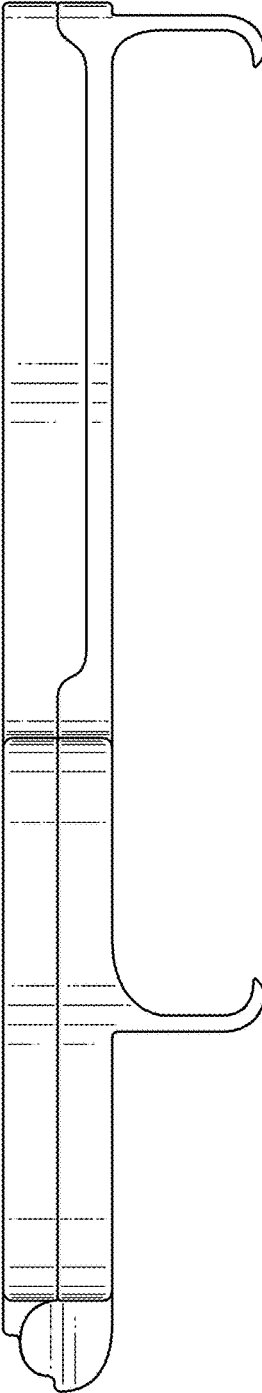


FIG. 8

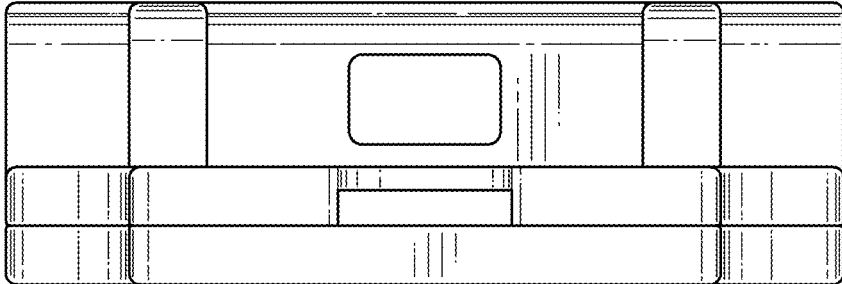


FIG. 9

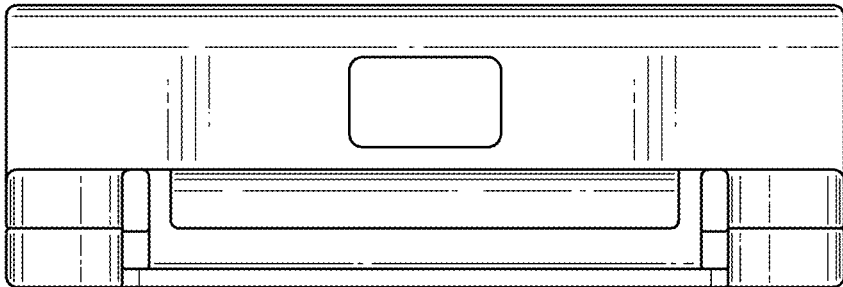


FIG. 10