



US00D900812S

(12) **United States Design Patent**
Friedman et al.

(10) **Patent No.:** **US D900,812 S**

(45) **Date of Patent:** **** Nov. 3, 2020**

(54) **USER INTERFACE DEVICE**

(71) Applicant: **Flint Rehabilitation Devices, LLC**,
Irvine, CA (US)

(72) Inventors: **Nizan Friedman**, Irvine, CA (US);
Daniel K. Zondervan, Long Beach,
CA (US)

(73) Assignee: **FLINT REHABILITATION
DEVICES, LLC**, Irvine, CA (US)

(**) Term: **15 Years**

(21) Appl. No.: **29/646,463**

(22) Filed: **May 4, 2018**

(51) **LOC (12) Cl.** **14-02**

(52) **U.S. Cl.**
USPC **D14/357**; D24/188; D21/662

(58) **Field of Classification Search**
USPC D14/356–358, 388, 389, 400, 402, 405,
D14/408, 411, 432, 454, 460, 496, 217,
D14/218, 299; D21/324–333, 566, 662,
D21/684, 694, 696; D13/123, 162, 162.1,
D13/168, 171–174; D24/184–186, 107,
D24/188, 234, 192; D10/46, 104.1,
D10/106.1, 106.95, 83; 482/4
CPC A63B 21/4027; A63B 21/4033; A63B
21/4034; A63B 21/4035; A63B 21/4043;
A63B 71/0622; A63B 23/0221; A63B
23/0355; A63B 23/0482; A63B 23/085;
A63B 23/10; A63B 23/1254; A63B
23/1263; A63B 23/1272; A63B 23/1281;
A63B 23/14; A63B 24/4035; A63B
24/0003; A63B 24/0062; A63B 24/0075;
A63B 24/0087; A63B 2022/0094; A63B
2220/00

See application file for complete search history.

(56) **References Cited**

U.S. PATENT DOCUMENTS

D347,584	S	*	6/1994	Vogelpohl	D10/49
D358,380	S	*	5/1995	Sakaguchi	D14/357
D382,255	S	*	8/1997	Moffatt	D13/147
D391,943	S	*	3/1998	Han	D14/356
D391,944	S	*	3/1998	Han	D14/356
D414,476	S	*	9/1999	Hibino	D13/101
D437,243	S	*	2/2001	Cessac	D10/104.1
D438,132	S	*	2/2001	Givings	D10/104.1
D438,847	S	*	3/2001	Hasegawa	D14/412
D446,740	S	*	8/2001	Cruitt	D10/104.1
D451,417	S	*	12/2001	Simu-Brown	D10/106.1
D481,392	S	*	10/2003	Dyer	D14/433

(Continued)

OTHER PUBLICATIONS

FitMi Testimonial: Brad Thomas. [online] 1 pg. Published May 31, 2017. [Retrieved on Sep. 12, 2019] <https://www.youtube.com/watch?v=LmMEtiwVqiE>.*

Primary Examiner — Marie D. Fast Horse

(74) *Attorney, Agent, or Firm* — Thomas | Horstemeyer, LLP

(57) **CLAIM**

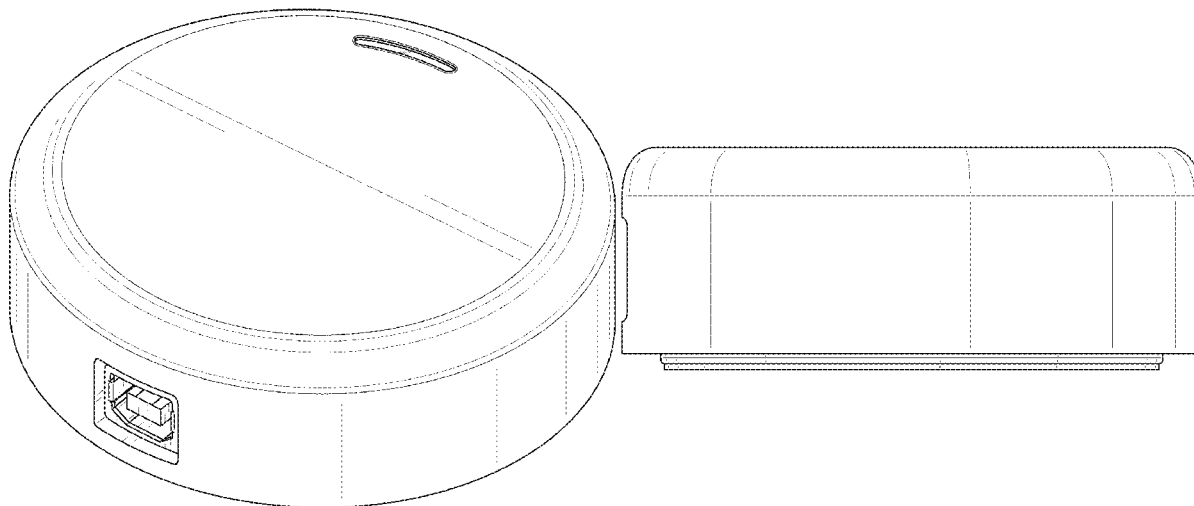
The ornamental design for a user interface device, as shown and described.

DESCRIPTION

FIG. 1 is a top perspective view of a user interface device showing our new design;
FIG. 2 is a first lateral side view thereof;
FIG. 3 is a second lateral side view thereof;
FIG. 4 is a third lateral side view thereof;
FIG. 5 is a fourth lateral side view thereof;
FIG. 6 is a top view thereof; and,
FIG. 7 is a bottom view thereof.

The broken lines in the drawings depict portions of the user interface device that form no part of the claimed design.

1 Claim, 5 Drawing Sheets



(56)

References Cited

U.S. PATENT DOCUMENTS

6,659,924	B1 *	12/2003	Hsu	A63B 22/14					
				482/121					
D506,404	S *	6/2005	Kaczmarek	D10/104.1					
D506,693	S *	6/2005	Kaczmarek	D10/104.1					
D507,569	S *	7/2005	Tagliabue	D14/356					
D507,657	S *	7/2005	Neel	D10/102					
D525,517	S *	7/2006	Baldwin	D8/310					
D530,523	S *	10/2006	Pitot	D6/308					
D552,607	S *	10/2007	Cleland	D14/358					
D555,605	S *	11/2007	Parnell	D13/171					
D555,651	S *	11/2007	Pascucci	D14/408					
D561,904	S *	2/2008	Neel	D24/216					
D569,750	S *	5/2008	Semersky	D10/83					
D569,866	S *	5/2008	Turpault	D14/385					
D570,348	S *	6/2008	Turpault	D14/385					
D589,046	S *	3/2009	Pascucci	D14/408					
D619,117	S *	7/2010	Unruh	D14/203.6					
D620,884	S *	8/2010	Lee	D13/108					
D624,518	S *	9/2010	Li	D14/138 AB					
D624,543	S *	9/2010	Kettula	D14/388					
D627,306	S *	11/2010	Charleux	D13/168					
D643,412	S *	8/2011	Brady	D14/218					
D669,894	S *	10/2012	Cobbett	D14/358					
D677,239	S *	3/2013	Todorovitch	D14/131					
D694,182	S *	11/2013	Lee	D13/108					
D697,475	S *	1/2014	Regole	D13/108					
D702,685	S *	4/2014	Pascucci	D14/408					
D705,103	S *	5/2014	Leasure	D10/101					
D718,234	S *	11/2014	Rautiainen	D13/108					
D720,289	S *	12/2014	Chiang	D13/108					
D724,060	S *	3/2015	Ahn	D14/218					
D726,161	S *	4/2015	Howard	D14/218					
D726,672	S *	4/2015	Olodort	D14/138 G					
D729,773	S *	5/2015	Salojarvi	D14/218					
D730,349	S *	5/2015	Burmeister-Brown	D14/240					
D735,131	S *	7/2015	Akana	D13/108					
D736,660	S *	8/2015	Hosoda	D10/83					
D740,750	S *	10/2015	Mayden	D13/108					
D740,896	S *	10/2015	Halper, Jr.	D21/685					
D743,819	S *	11/2015	Golnik	D10/70					
D743,954	S *	11/2015	Chuang	D13/168					
D746,165	S *	12/2015	Li	D13/168					
D746,166	S *	12/2015	Li	D10/104.1					
D749,666	S *	2/2016	Ahdoot	D14/218					
D751,538	S *	3/2016	Koehler	D14/240					
D752,588	S *	3/2016	Li	D14/385					
D753,832	S *	4/2016	Lin	D24/186					
D755,750	S *	5/2016	Chen	D14/172					
D760,221	S *	6/2016	Maruyama	D14/357					
D766,844	S *	9/2016	Turksu	D10/104.1					
D768,626	S *	10/2016	Mikelson	D14/300					
D768,631	S *	10/2016	Epstein	D14/388					
D771,142	S *	11/2016	Langhammer	D14/203.6					
D773,947	S *	12/2016	Scarcella	D10/104.1					
D774,149	S *	12/2016	Estrada, Jr.	D21/685					
D783,422	S *	4/2017	Kashimoto	D10/50					
D784,259	S *	4/2017	Huang	D13/108					
D786,724	S *	5/2017	Seagle, Jr.	D10/106.1					
D787,515	S *	5/2017	Friedman	D14/388					
D789,373	S *	6/2017	King	D14/413					
D789,374	S *	6/2017	King	D14/413					
D792,220	S *	7/2017	Simons	D7/396.2					
D794,810	S *	8/2017	Sorbel	D21/685					
D804,306	S *	12/2017	Simons	D9/454					
D804,531	S *	12/2017	Beck	D14/496					
D804,533	S *	12/2017	Mangum	D14/496					
D806,254	S *	12/2017	Im	D24/186					
D807,867	S *	1/2018	Kato	D14/240					
D810,136	S *	2/2018	Langhammer	D14/496					
D814,324	S *	4/2018	Kalvachev	D10/83					
D815,149	S *	4/2018	Langhammer	D14/496					
D816,046	S *	4/2018	Kiong	D13/162					
D817,501	S *	5/2018	Wei	D24/188					
D820,238	S *	6/2018	Boshernitzan	D14/218					
D820,318	S *	6/2018	Mullins	D14/496					
D827,645	S *	9/2018	Raken	D14/388					
D827,840	S *	9/2018	Sobczyk	D24/186					
D829,242	S *	9/2018	Laine	D14/496					
D830,858	S *	10/2018	Rogers	D10/41					
D833,023	S *	11/2018	Maletic	D24/186					
D848,623	S *	5/2019	Franché	D24/188					
D851,184	S *	6/2019	McConnell	D21/662					
D855,586	S *	8/2019	Bang	D14/218					
D867,185	S *	11/2019	Rahav	D10/83					
D868,067	S *	11/2019	Guarniere	D14/432					
D877,149	S *	3/2020	Johnston	D14/388					
D879,969	S *	3/2020	Sandt	D24/186					
D882,432	S *	4/2020	Yee	A61B 5/002					
				D24/186					
2018/0193700	A1 *	7/2018	Friedman	A63B 21/0004					

* cited by examiner

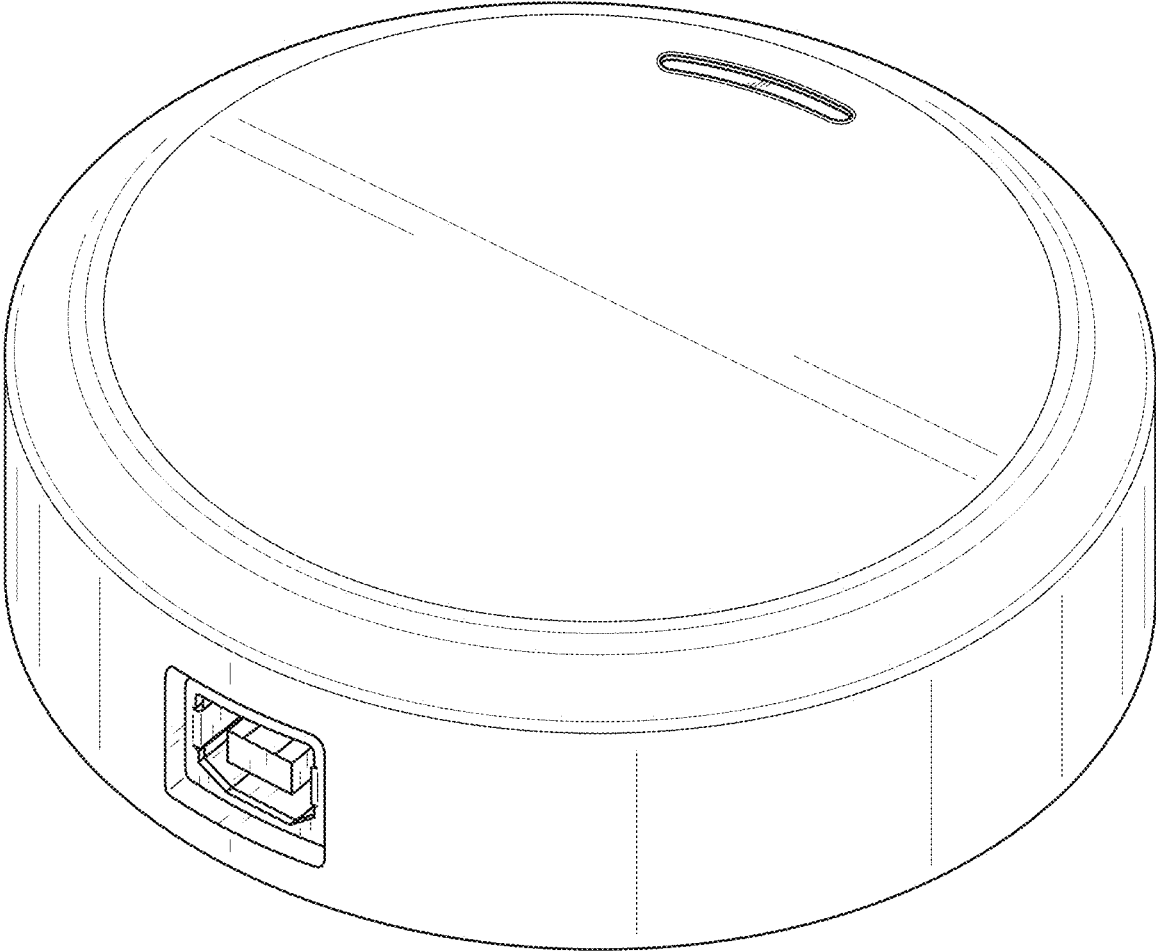


FIG. 1

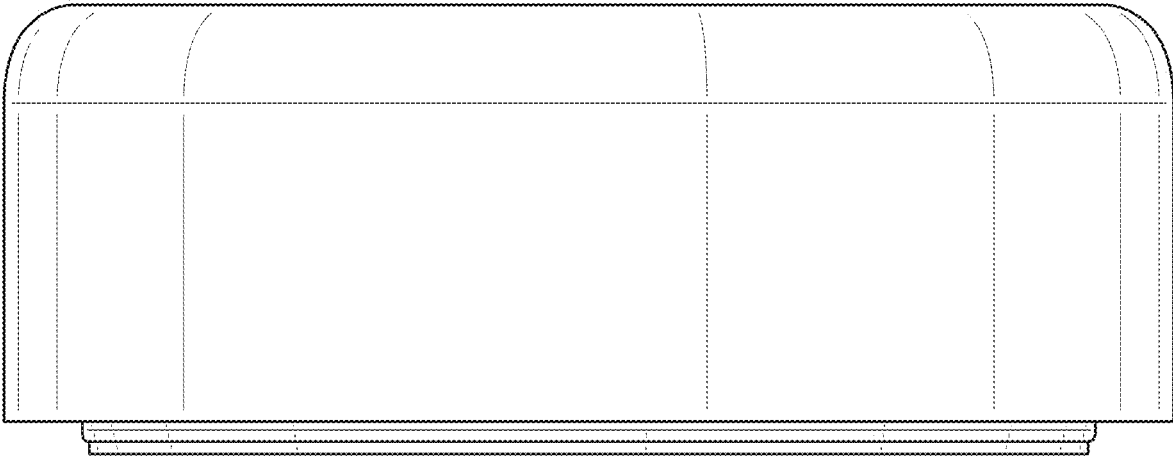


FIG. 2

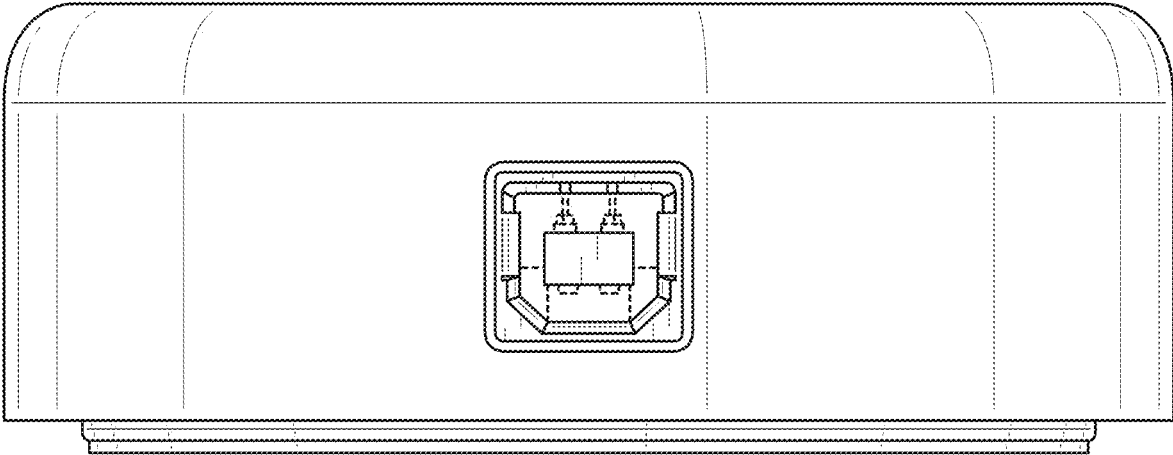


FIG. 3

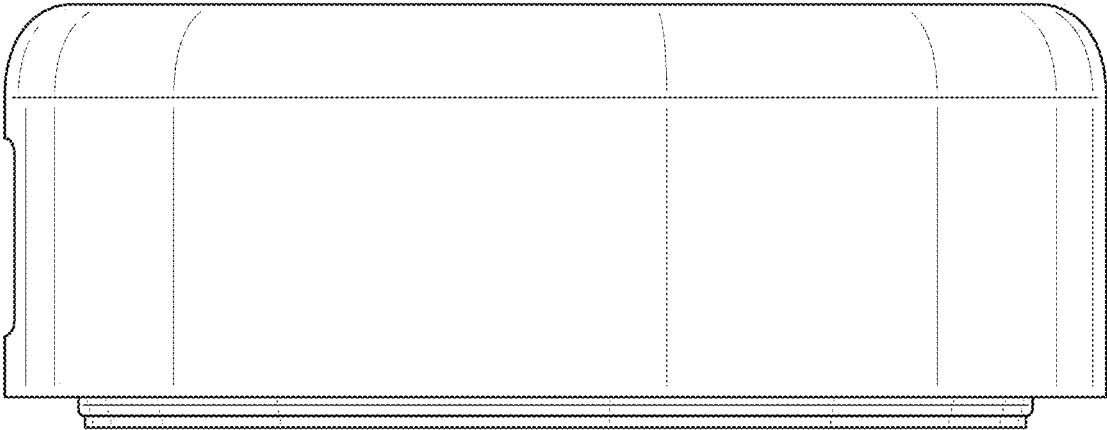


FIG. 4

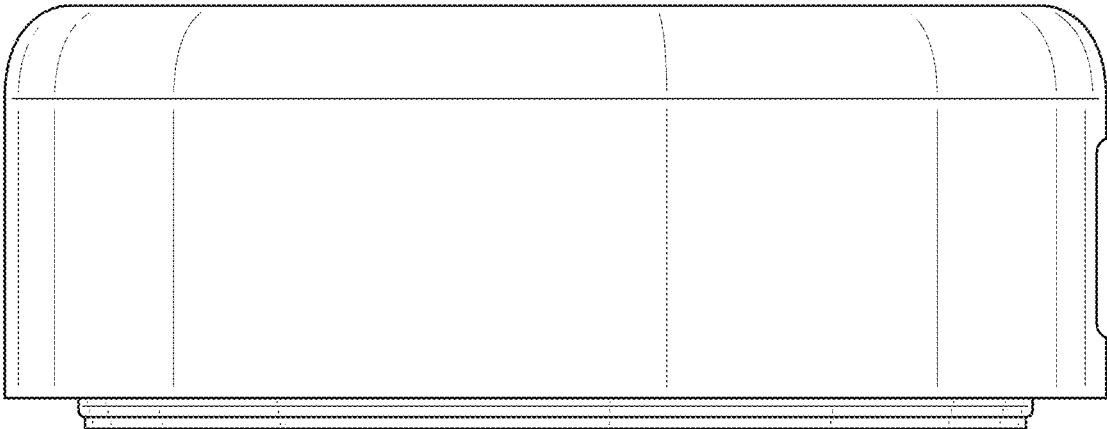


FIG. 5

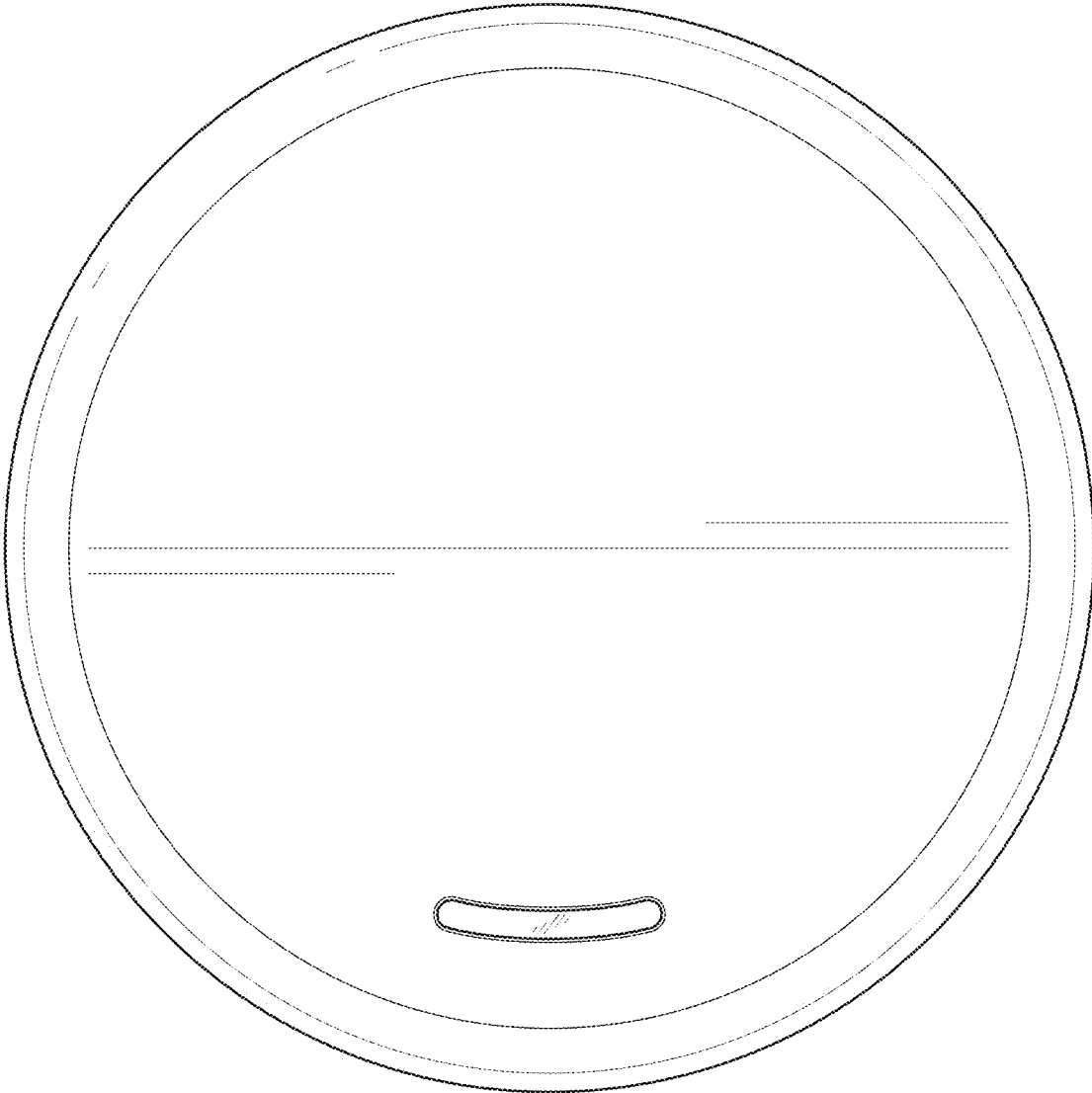


FIG. 6

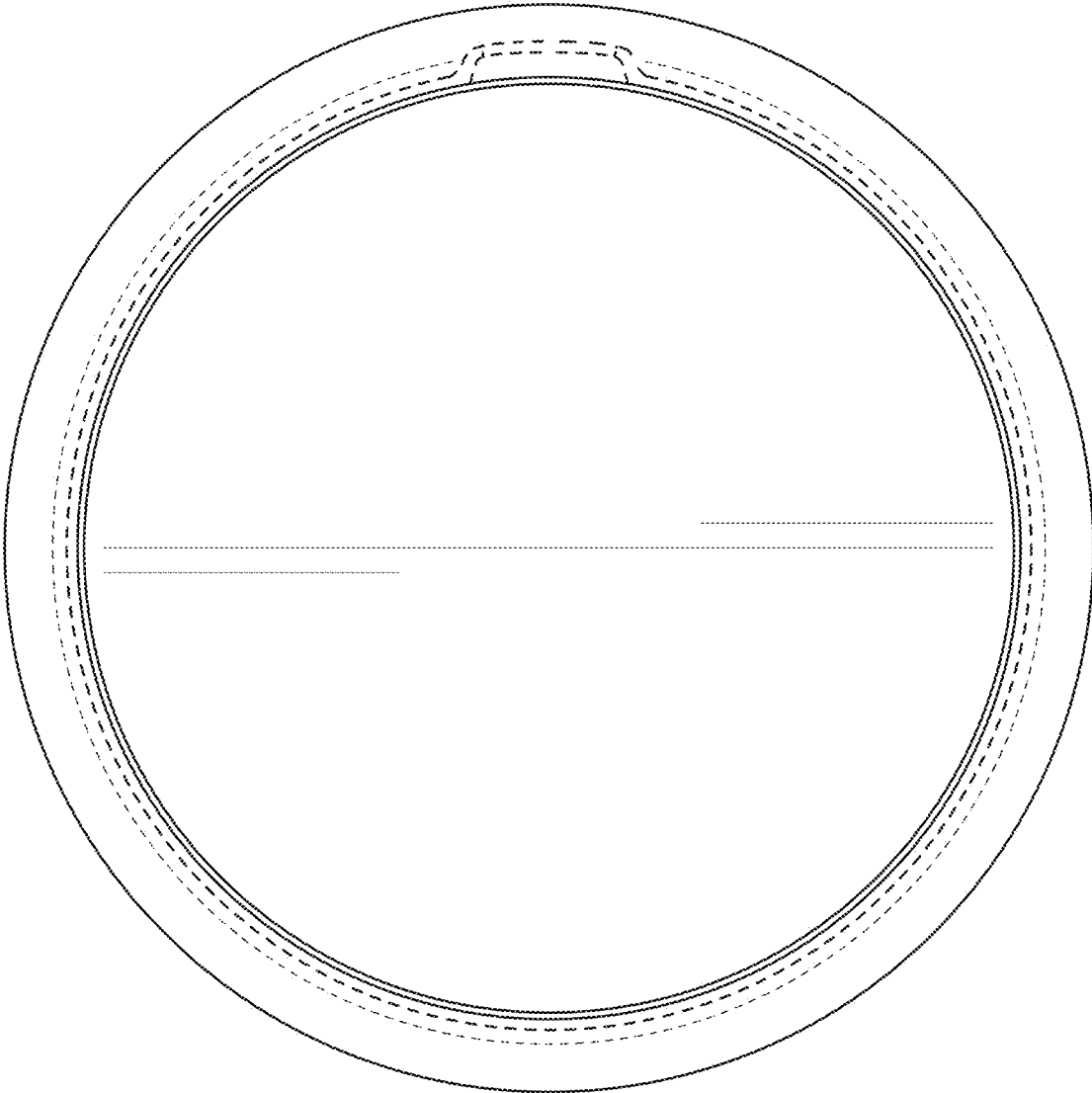


FIG. 7