



US00D940147S

(12) **United States Design Patent**  
**Yang**

(10) **Patent No.:** **US D940,147 S**

(45) **Date of Patent:** **\*\* Jan. 4, 2022**

(54) **NOTEBOOK STAND**

(71) Applicant: **SHENZHEN GREEN GIANT TECHNOLOGY DEVELOPMENT CO., LTD.**, Shenzhen (CN)

(72) Inventor: **Xiaoming Yang**, Shenzhen (CN)

(73) Assignee: **SHENZHEN GREEN GIANT TECHNOLOGY DEVELOPMENT CO., LTD.**, Shenzhen (CN)

(\*\*) Term: **15 Years**

(21) Appl. No.: **29/753,557**

(22) Filed: **Sep. 30, 2020**

(51) **LOC (13) Cl.** ..... **08-07**

(52) **U.S. Cl.**  
USPC ..... **D14/447**

(58) **Field of Classification Search**  
USPC ..... D14/447, 432, 434, 439, 440, 451, 452,  
D14/457, 239, 253; D8/363, 373, 380;  
D6/406.3, 406.4, 406.5, 406.6; D12/415  
CPC ..... A45C 2011/002; A45C 2011/003; F16M  
2200/00; F16M 13/00; A47B 21/04;  
A47B 2097/006; A47B 2097/005; A47B  
2023/049

See application file for complete search history.

(56) **References Cited**

**U.S. PATENT DOCUMENTS**

D589,964 S \* 4/2009 Heggland ..... D14/434  
D788,780 S 6/2017 Chen

D792,417 S \* 7/2017 Xiang ..... D14/447  
D894,195 S 8/2020 Chen .....  
D903,689 S \* 12/2020 Zheng ..... D14/447  
D907,640 S \* 1/2021 Huang ..... D14/447  
D907,644 S \* 1/2021 Li ..... D14/447  
D920,338 S \* 5/2021 Chen ..... D14/447  
D923,631 S \* 6/2021 Chen ..... D14/447  
D923,632 S \* 6/2021 Li ..... D14/447  
D928,790 S \* 8/2021 Hong ..... D14/447

\* cited by examiner

*Primary Examiner* — Angela J Lee

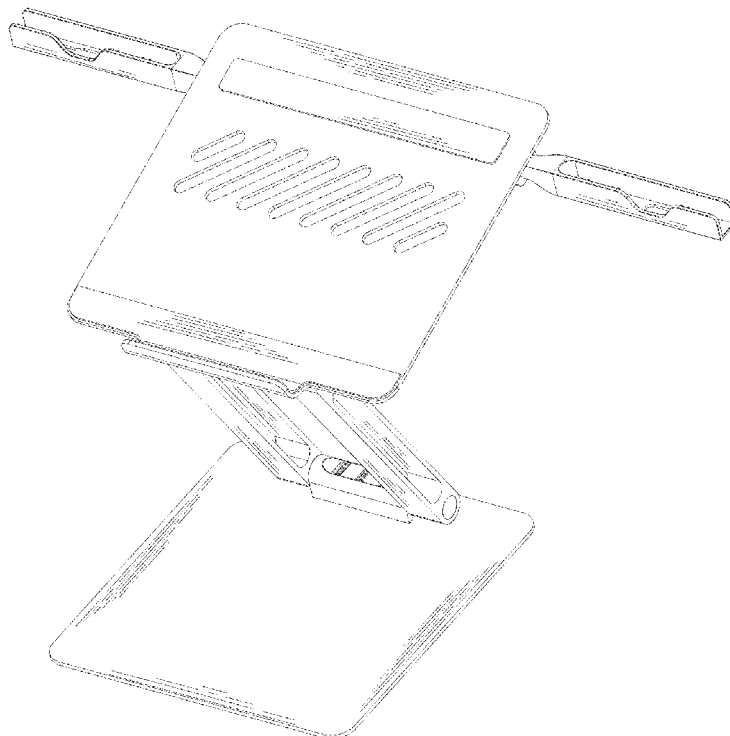
(57) **CLAIM**

The ornamental design for a notebook stand, as shown and described.

**DESCRIPTION**

FIG. 1 is a perspective view of a notebook stand showing my new design;  
FIG. 2 is another perspective view thereof;  
FIG. 3 is a front elevational view thereof;  
FIG. 4 is a rear elevational view thereof;  
FIG. 5 is a left side elevational view thereof;  
FIG. 6 is a right side elevational view thereof;  
FIG. 7 is a top plan view thereof; and,  
FIG. 8 is a bottom plan view thereof.

**1 Claim, 8 Drawing Sheets**



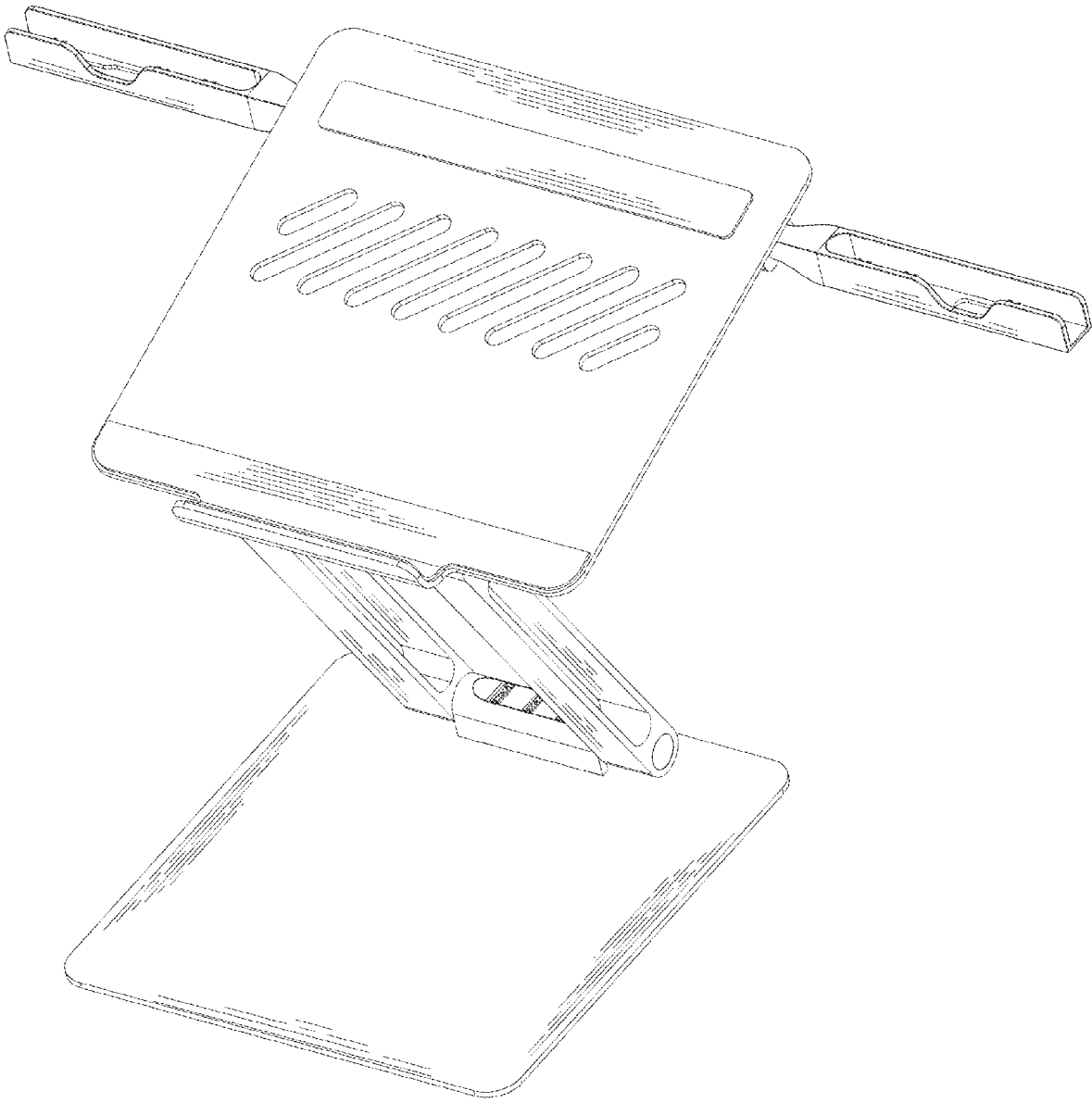


FIG. 1

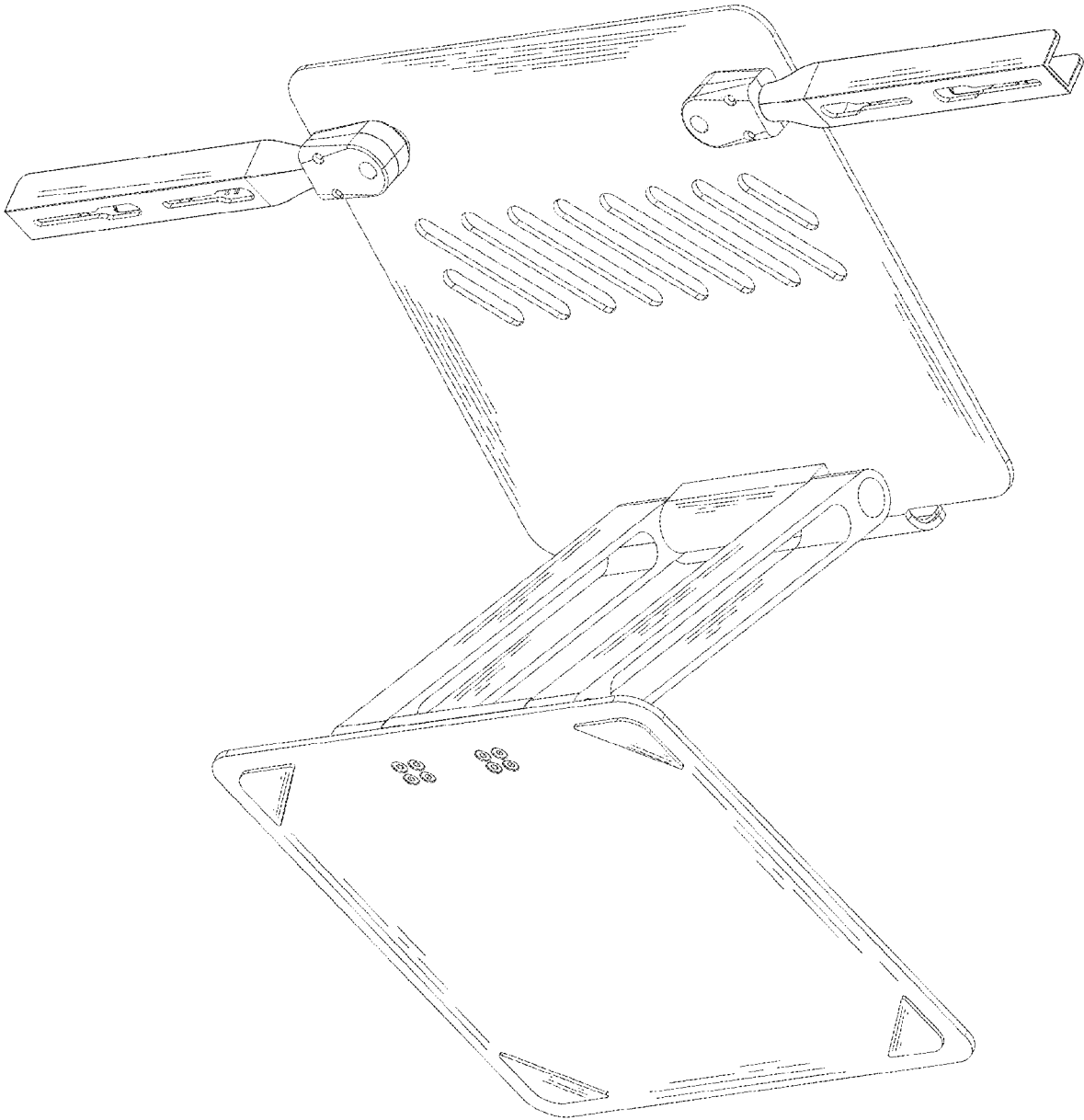


FIG. 2

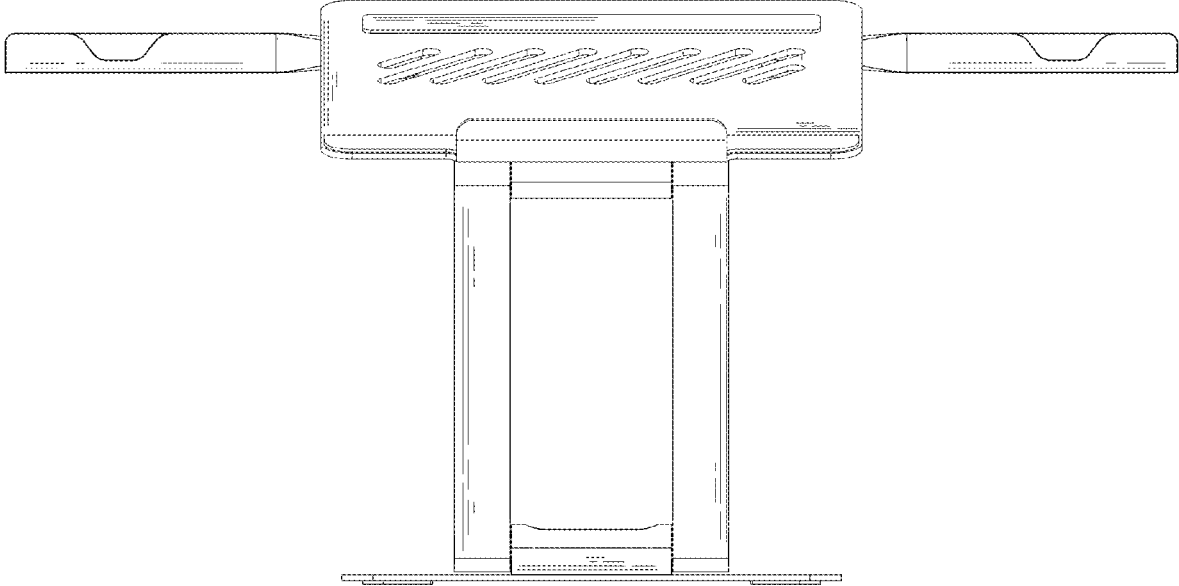


FIG. 3

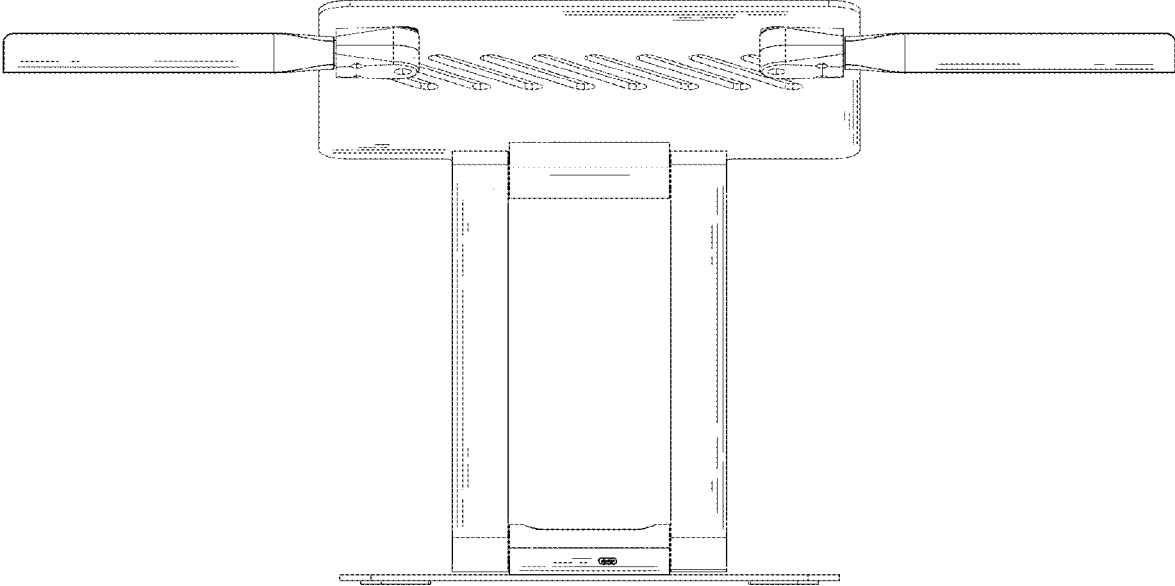


FIG. 4

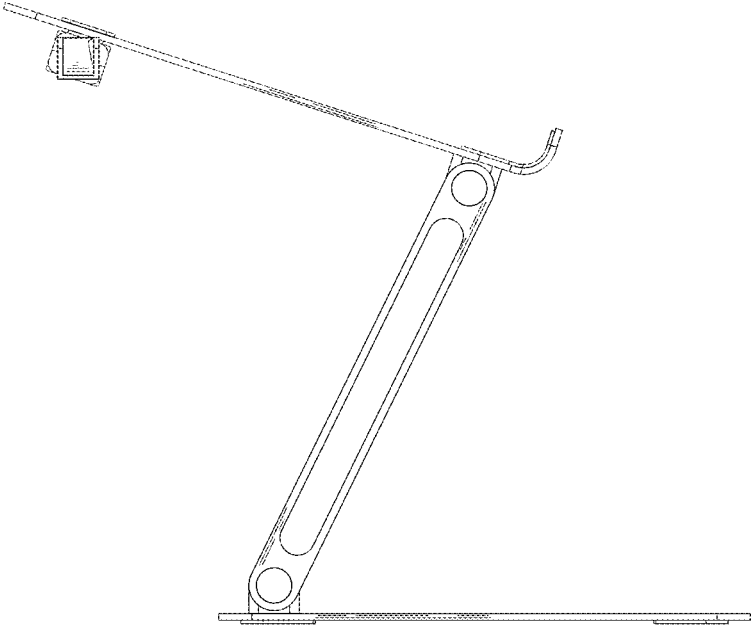


FIG. 5

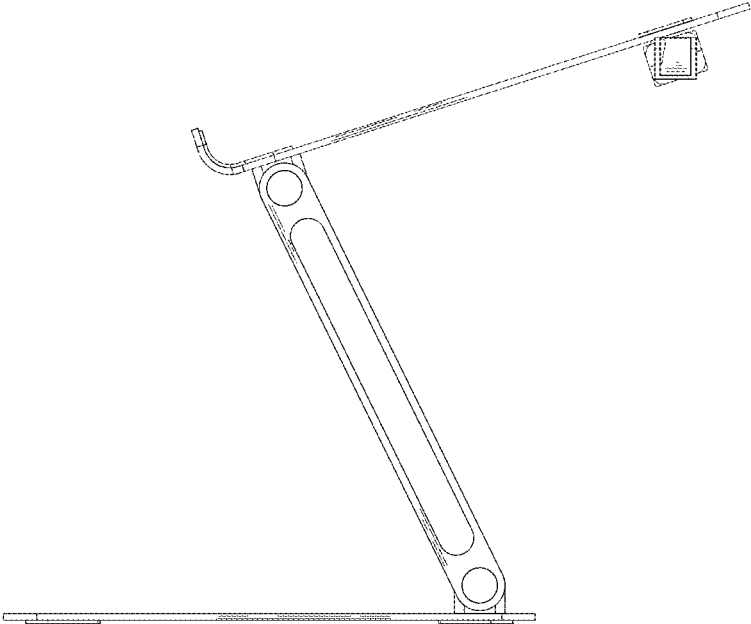


FIG. 6

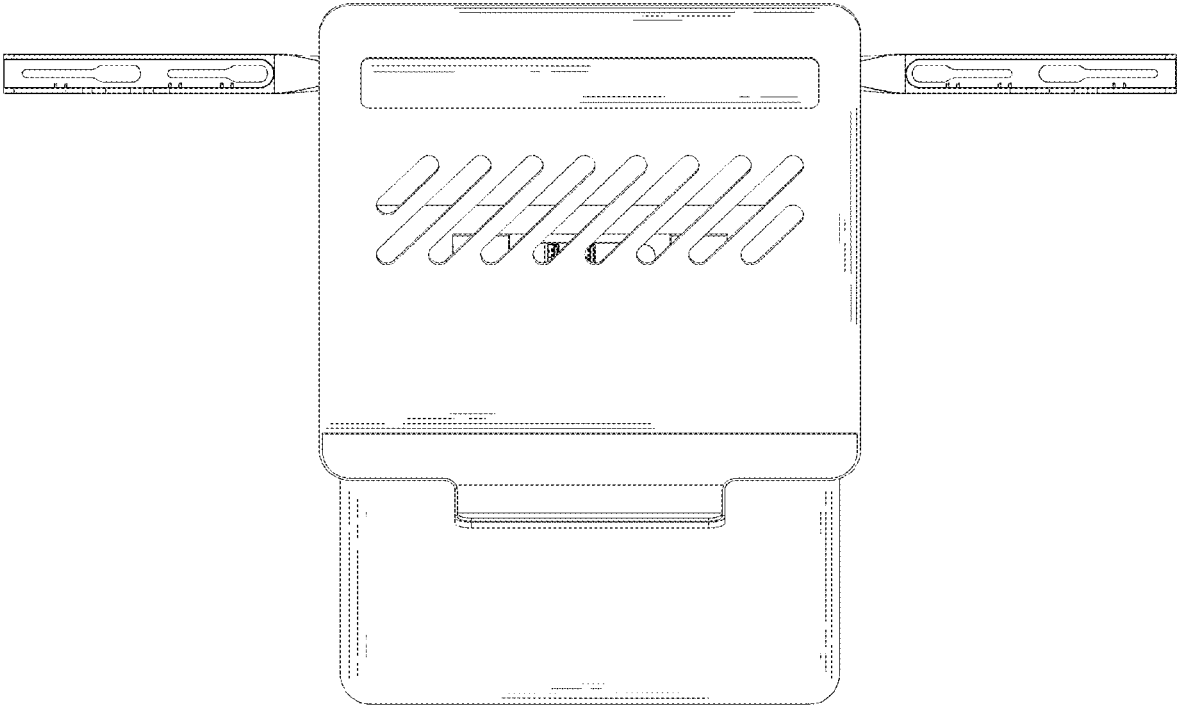


FIG. 7



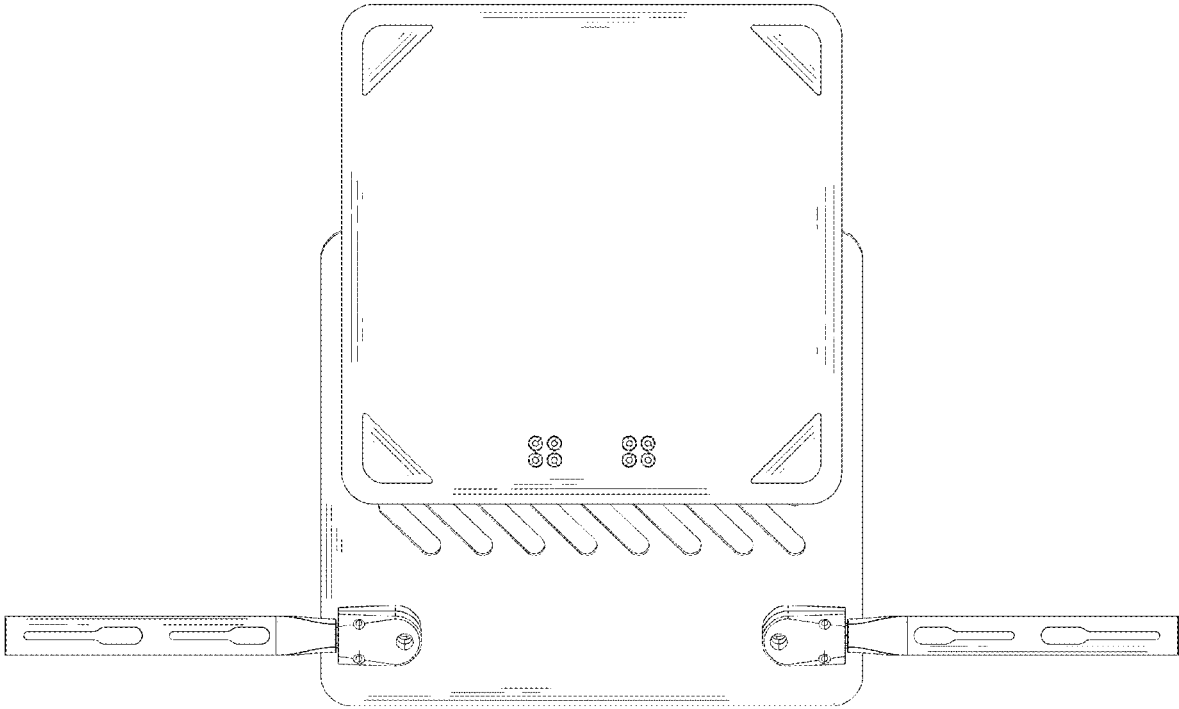


FIG. 8