

[54] CONTAINER FOR A TYPE FONT DISC

3,949,872 4/1976 Paudras 206/310
4,511,034 4/1985 Pan 206/312

[76] Inventor: Alvin J. Weiner, 112 Warren St.,
Randolph, Mass. 02368

Primary Examiner—George P. Word
Attorney, Agent, or Firm—Herbert L. Bello

[**] Term: 14 Years

[57] CLAIM

[21] Appl. No.: 580,065

The ornamental design for a container for a type font disc, as shown and described.

[22] Filed: Feb. 14, 1984

[52] U.S. Cl. D3/35; D18/12

DESCRIPTION

[58] Field of Search D3/35, 66; D18/12;
206/387, 309-313; 400/692; D9/326

FIG. 1 is a perspective view of a container for a type font disc showing my new design;

FIG. 2 is an enlarged scale right side elevational view, the opposite side being a mirror image thereof;

FIG. 3 is a rear elevational view thereof;

FIG. 4 is a front elevational view thereof;

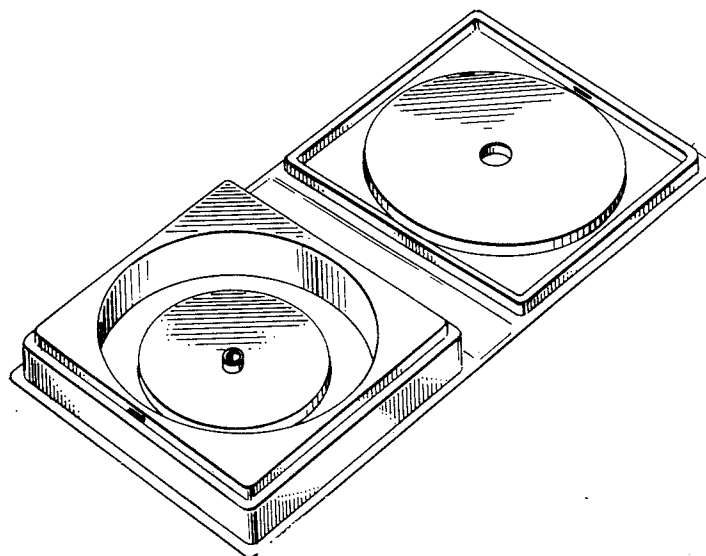
FIG. 5 is a top plan view thereof; and

FIG. 6 is a bottom plan view thereof.

[56] References Cited

U.S. PATENT DOCUMENTS

- D. 260,122 8/1981 Turner D3/35
- D. 277,999 3/1985 Weiner D3/35
- 3,902,598 9/1975 Koob et al. 206/387



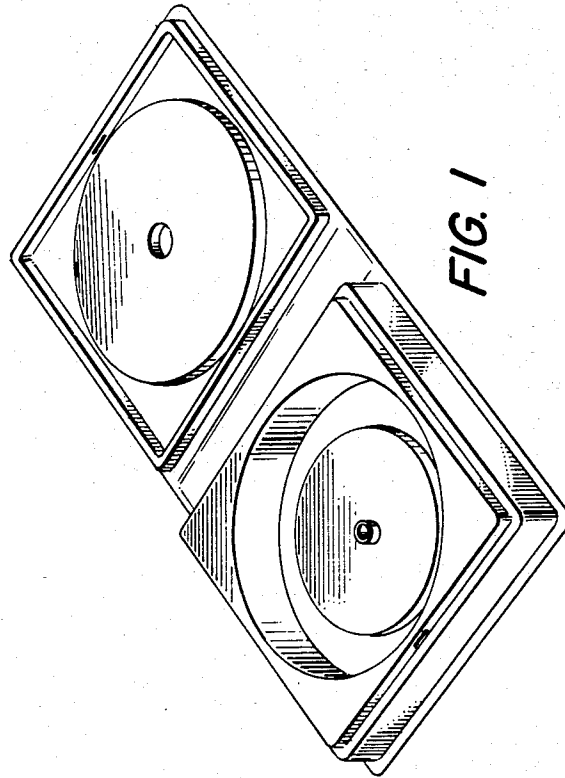


FIG. 1

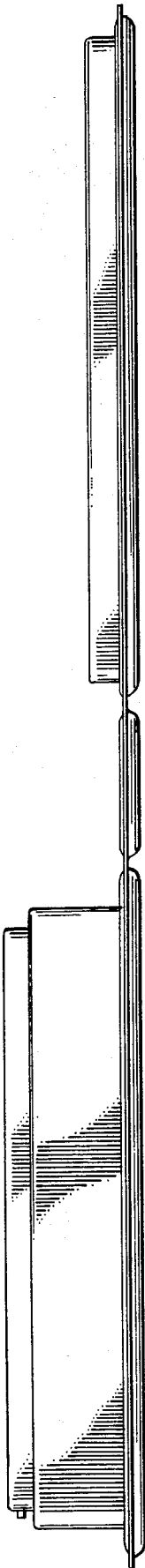


FIG. 2

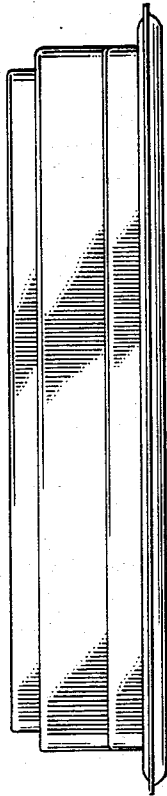


FIG. 3

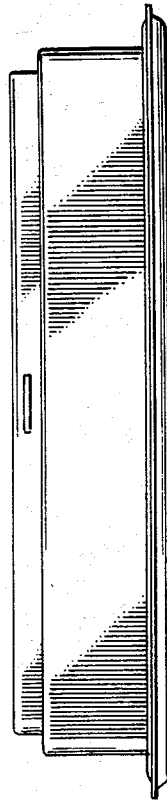


FIG. 4

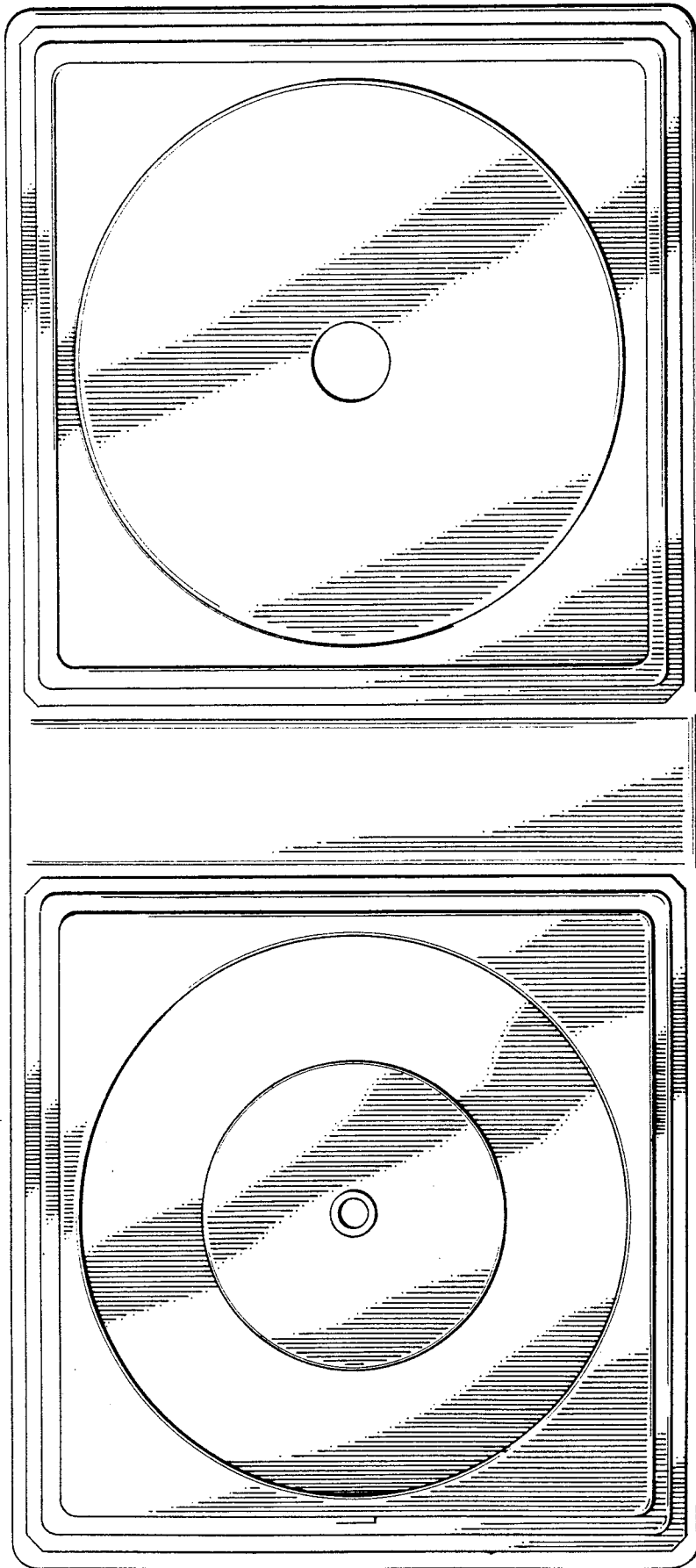


FIG. 5

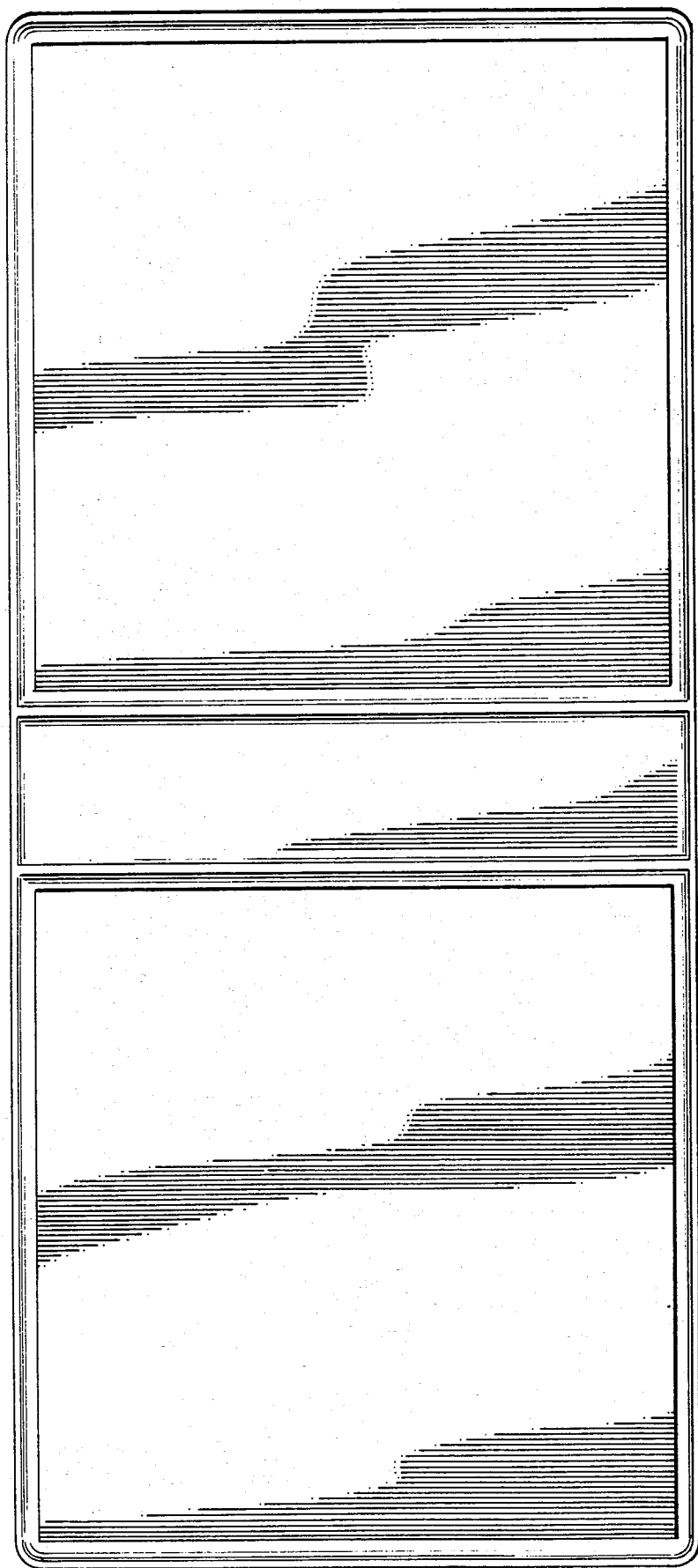


FIG. 6