



US0D1035137S

(12) **United States Design Patent**
Pascal

(10) **Patent No.:** **US D1,035,137 S**

(45) **Date of Patent:** **** Jul. 9, 2024**

(54) **DREADLOCK STYLING DEVICE**

FOREIGN PATENT DOCUMENTS

(71) Applicant: **Majorya Pascal**, Orlando, FL (US)

CN 305205781 * 6/2019
CN 307673218 * 11/2022

(72) Inventor: **Majorya Pascal**, Orlando, FL (US)

(Continued)

(**) Term: **15 Years**

OTHER PUBLICATIONS

(21) Appl. No.: **29/884,101**

Upgrade Dreadlock [online], [publication date is Feb. 6, 2024].
[Retrieved from the internet on Mar. 29, 2024]. URL: <https://www.
amazon.com/Dreadlock-Automatic-Dreadlocks-Portable-Extension/
dp/B0CQNV82NF/ref>. (Year: 2024).*

(22) Filed: **Feb. 7, 2023**

(Continued)

(51) **LOC (14) Cl.** **28-03**

(52) **U.S. Cl.** **D28/35**
USPC **D28/35**

(58) **Field of Classification Search**

USPC D28/4, 9, 10, 35, 37, 38, 99; D15/199;
132/212, 226, 237, 238, 265, 266
CPC ... A45D 2/00; A45D 2/02; A45D 2/12; A45D
2/36; A45D 6/00; A45D 6/02; A45D
6/04; A45D 7/00; A45D 2002/003; A45D
2002/005; A45D 2002/006; A45D
2002/007; A45D 2002/008; A45D
2006/005; A45D 2007/004

See application file for complete search history.

Primary Examiner — Karen E Eldridge Powers

Assistant Examiner — Margaret Leah Bryan

(74) *Attorney, Agent, or Firm* — John Rizvi; John Rizvi,
P.A.—The Patent Professor®

(57) **CLAIM**

I claim the ornamental design for a dreadlock styling device,
as shown and described.

(56) **References Cited**

U.S. PATENT DOCUMENTS

1,997,690 A * 4/1935 Katcher A45D 6/02
132/266
2,573,456 A * 10/1951 Kutzler A45D 6/04
132/238
4,078,525 A * 3/1978 Chiba F22B 1/287
392/404
6,135,124 A * 10/2000 Grant A41G 5/0086
132/271
D535,746 S * 1/2007 Grove D24/146
8,087,414 B2 * 1/2012 Gutierrez Ugarte ... A45D 24/00
132/212
D727,568 S * 4/2015 Francois D28/10
D767,205 S * 9/2016 Climer D28/35
D874,723 S * 2/2020 Zeng D28/35
D993,528 S * 7/2023 Zhang D28/10

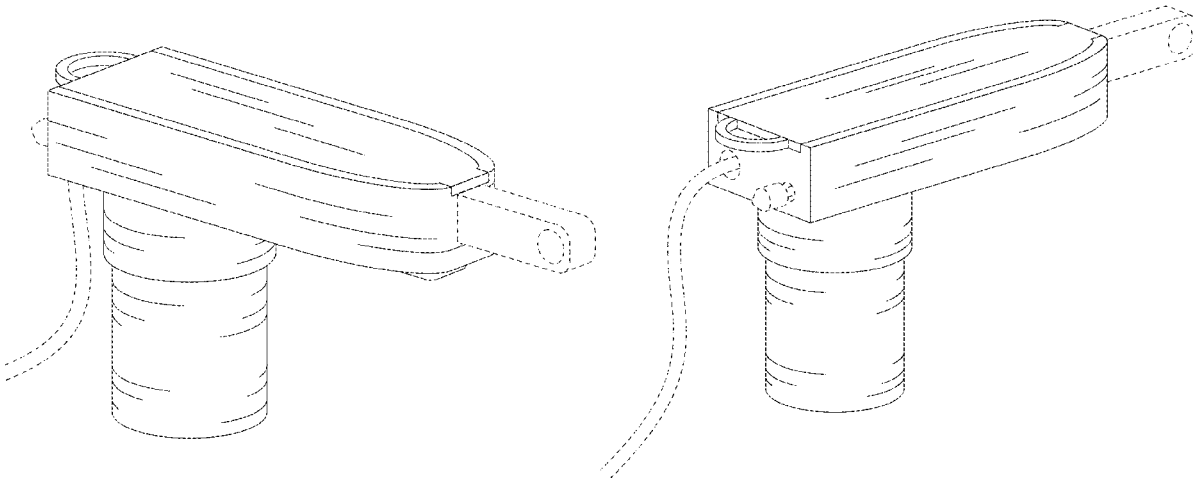
(Continued)

DESCRIPTION

FIG. 1 is a front perspective view of a dreadlock styling device showing my new design;
FIG. 2 is a back perspective view thereof;
FIG. 3 is a bottom perspective view thereof;
FIG. 4 is a left elevation view thereof;
FIG. 5 is a right elevation view thereof;
FIG. 6 is a top plan view thereof;
FIG. 7 shows a bottom plan view thereof;
FIG. 8 shows a front elevation view; and,
FIG. 9 shows a back elevation view.

The portion of the dreadlock styling device depicted in the figures in broken lines forms no part of the claimed design.

1 Claim, 9 Drawing Sheets



(56)

References Cited

U.S. PATENT DOCUMENTS

11,691,304	B2 *	7/2023	Huntt	B26B	19/3886
					30/206
D1,008,545	S *	12/2023	James		D28/10
D1,011,614	S *	1/2024	Liao		D28/10
D1,018,969	S *	3/2024	Headen		D28/10

FOREIGN PATENT DOCUMENTS

CN		308143503	*	7/2023
EM		009006745-0001	*	5/2022
EM		015044777-0001	*	1/2024

OTHER PUBLICATIONS

Loc Machine for Dreadlocks [online], [publication date is Dec. 2, 2023]. [Retrieved from the internet on Mar. 29, 2024]. URL: <<https://www.amazon.com/Dreadlocks-Handheld-Dreadlock-Braiding-Synthetic/dp/B0CPB5ZBRH/ref>>. (Year: 2023).*

Mini Handheld Dreadlock Machine [online], [publication date is Dec. 13, 2023]. [Retrieved from the internet on Mar. 29, 2024]. URL: <<https://www.amazon.com/Handheld-Dreadlock-Machine-Crochet-Braiding/dp/B0CQ578KS3/ref>>. (Year: 2023).*

Blue Light [online], [publication date is Sep. 27, 2021]. [Retrieved from the internet on Mar. 29, 2024]. URL: <<https://www.amazon.com/Nanometer-Moisturizing-Multifunction-Dissipates-Intelligently/dp/B08KW4ZZ4C/ref>>. (Year: 2021).*

Dreadlock Machine Instant [online], [publication date is Aug. 24, 2023]. [Retrieved from the internet on Mar. 29, 2024]. URL: <https://www.etsy.com/listing/1467759414/dreadlock-machine-instant-loc-machine?gpla=1&gao=1&&utm_source=google&utm_medium=cpc&utm_campaign=shopping_us_a-bath_and_beauty-hair_care-hair_extensions-other&utm_custom1=_k_EAlalQobChMI1qWxolihhQMVsGZHAR0RWwaYEAQYAyABEgIHwPD_BwE_k_&utm_content=go_12570711969_119070833186_507438501587_aud-2079782229334:pla-317674588758_c_1467759414_12768591&utm_custom2=12570711969&gad_source=4&gclid=EAlalQobChMI1qWxolihhQMVsGZHAR0RWwaYEAQY-AyABEgIHwPD_BwE>. (Year: 2023).*

* cited by examiner

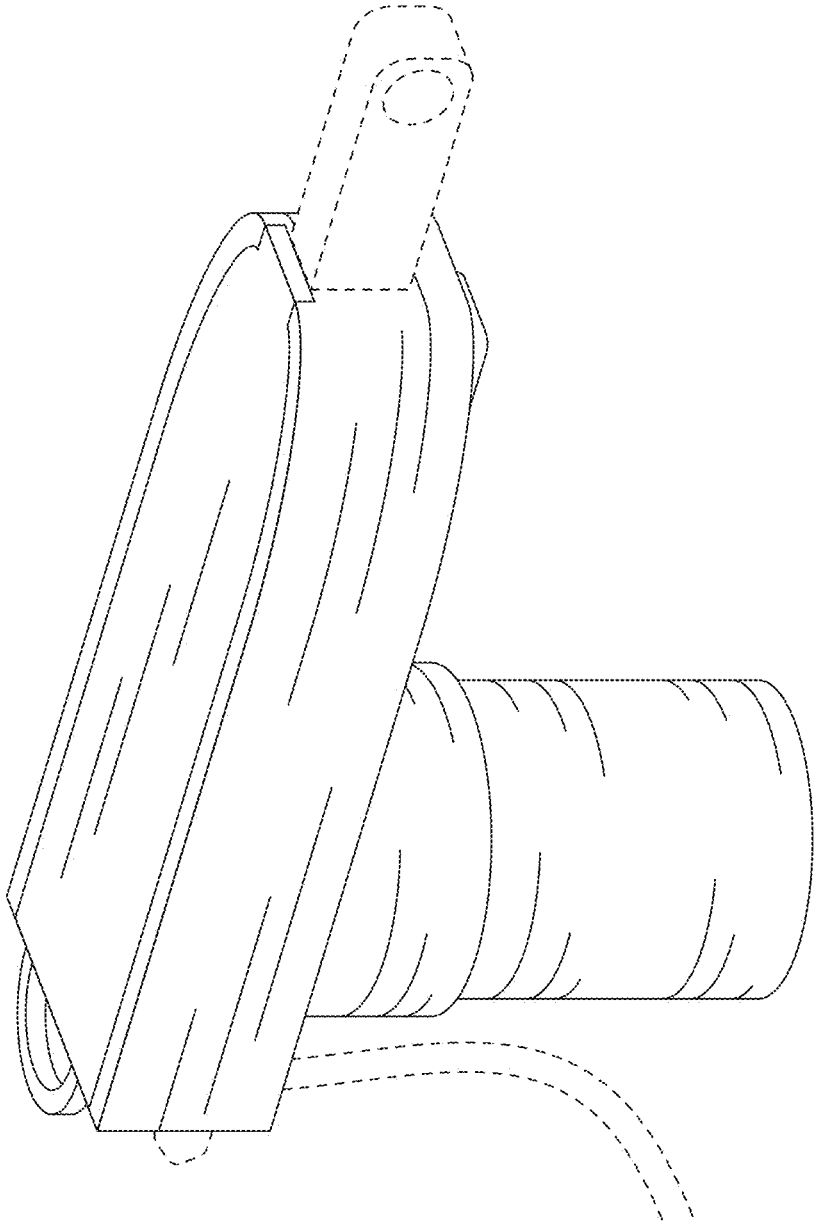


FIG. 1

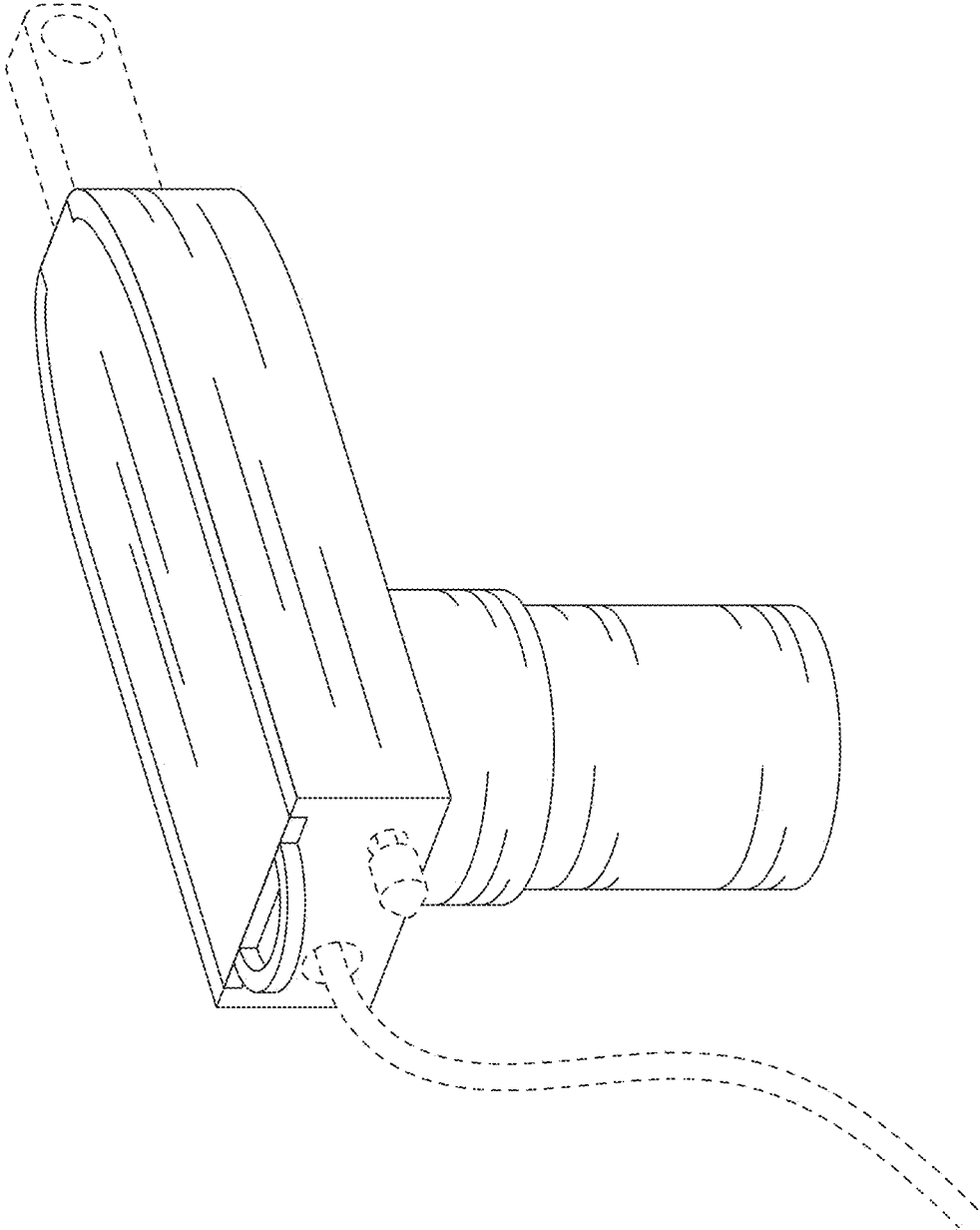


FIG. 2

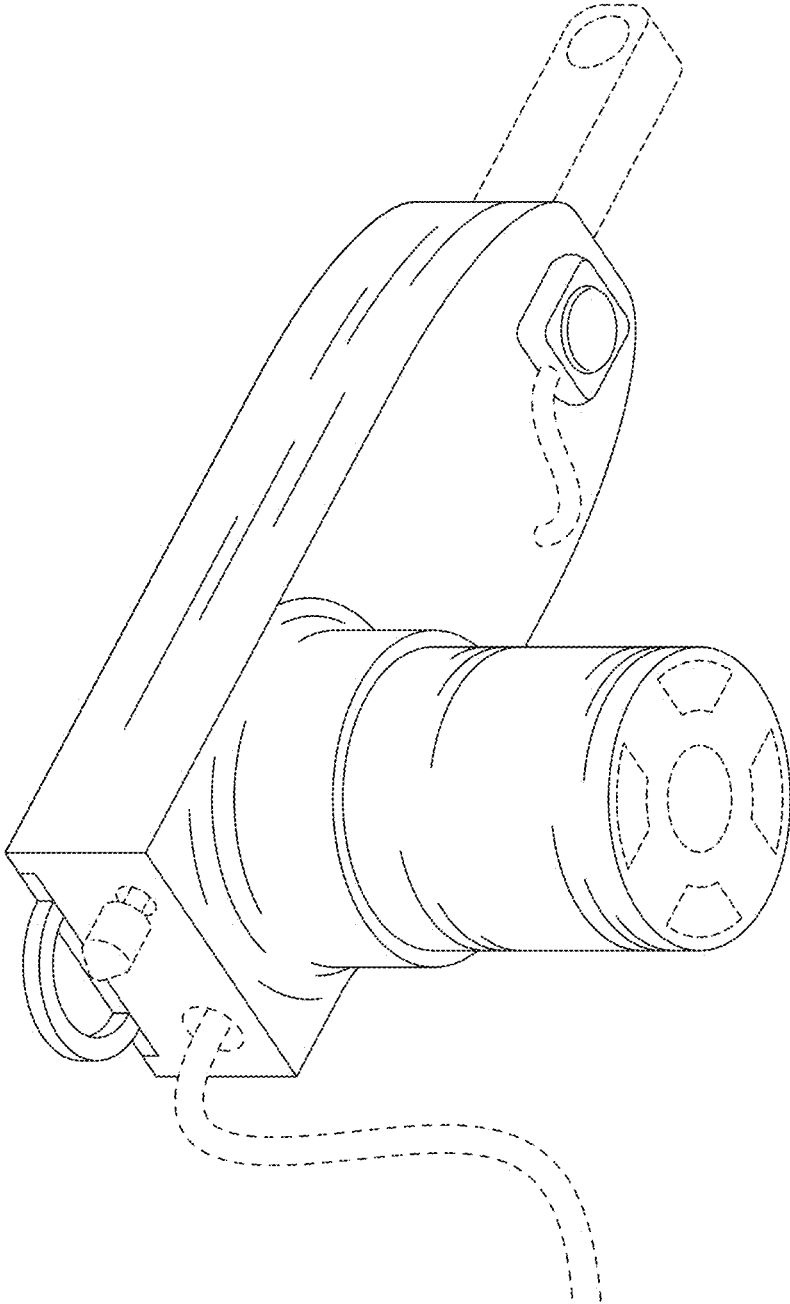


FIG. 3

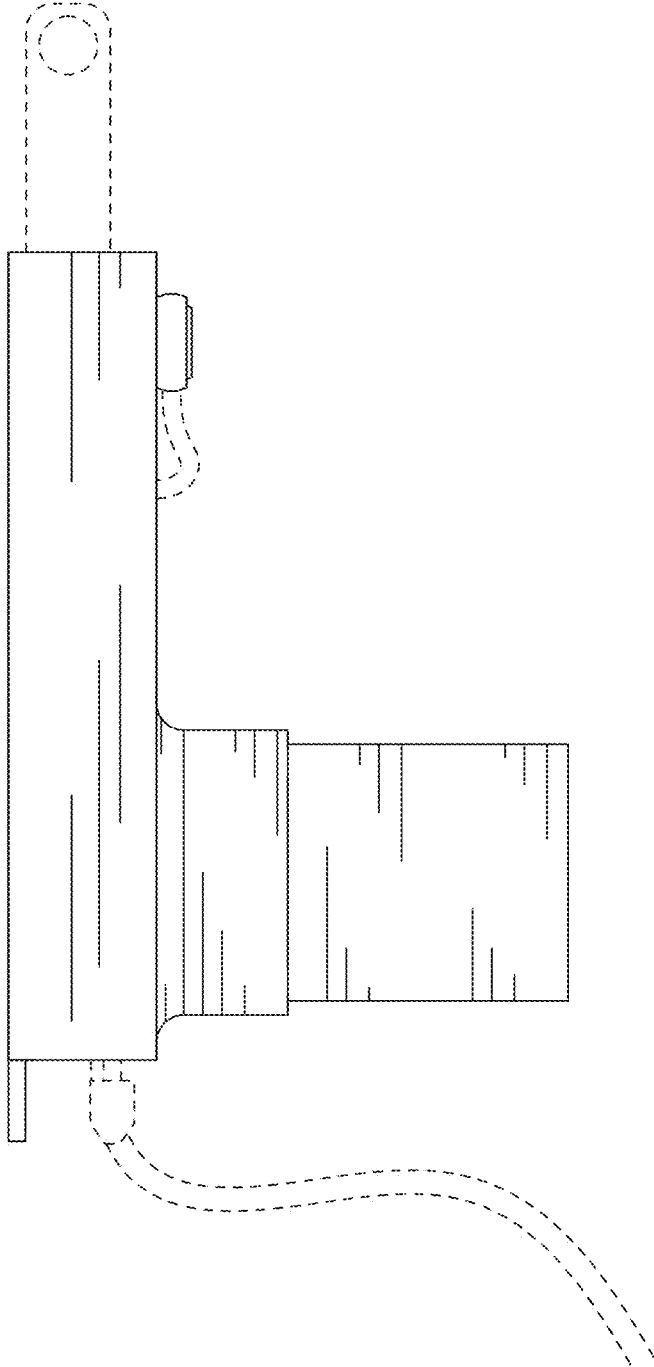


FIG. 4

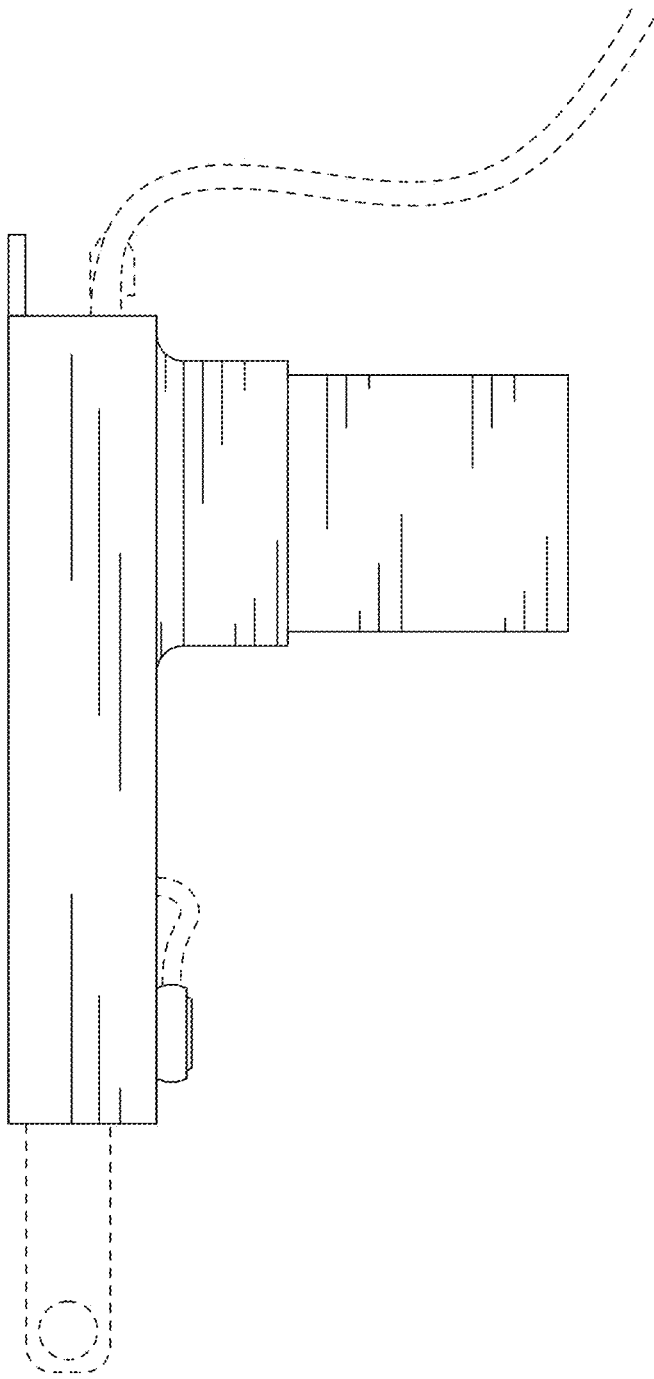


FIG. 5

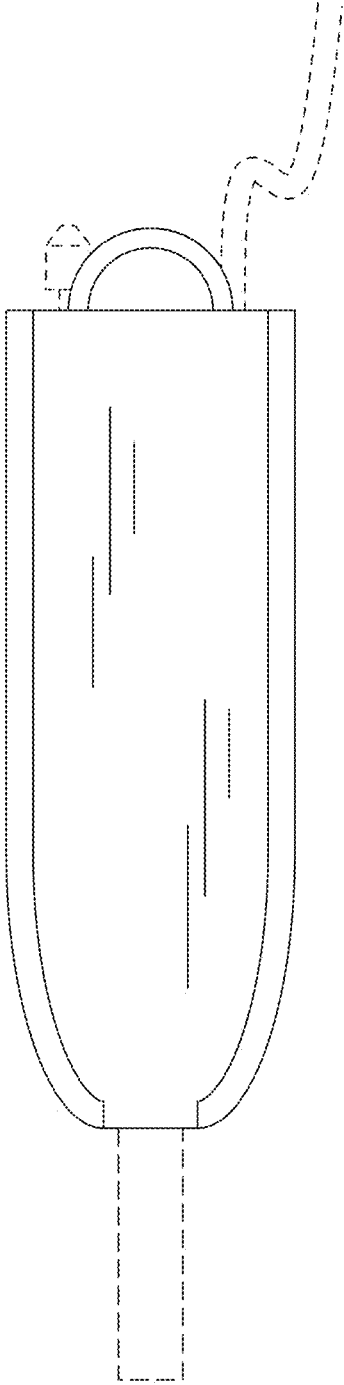


FIG. 6

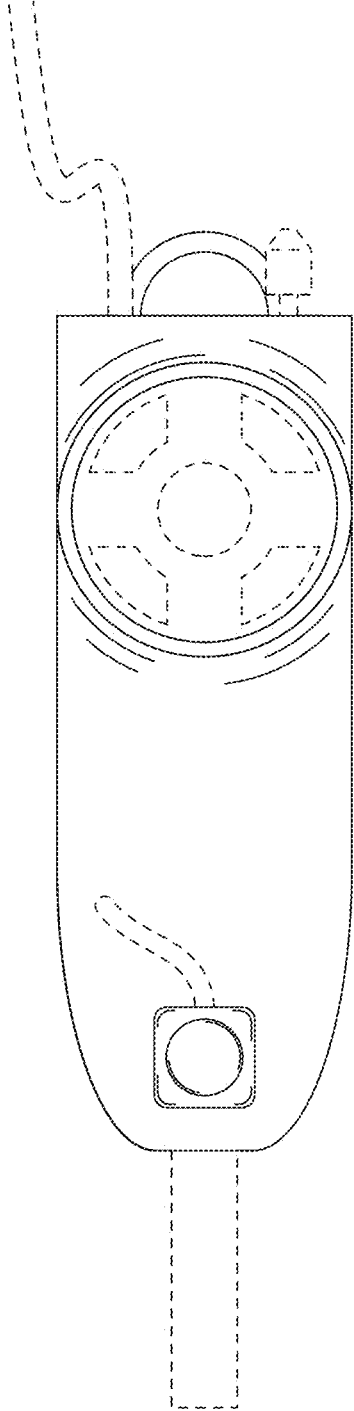


FIG. 7

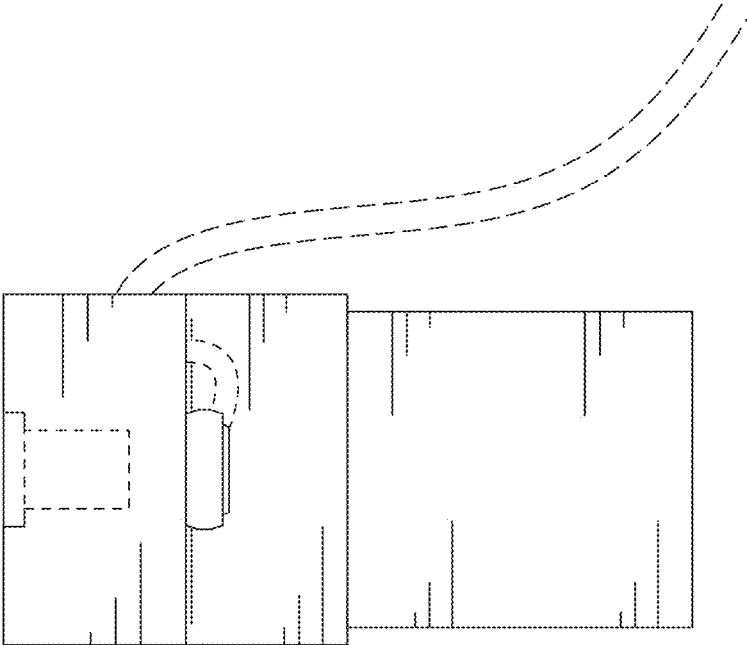


FIG. 8

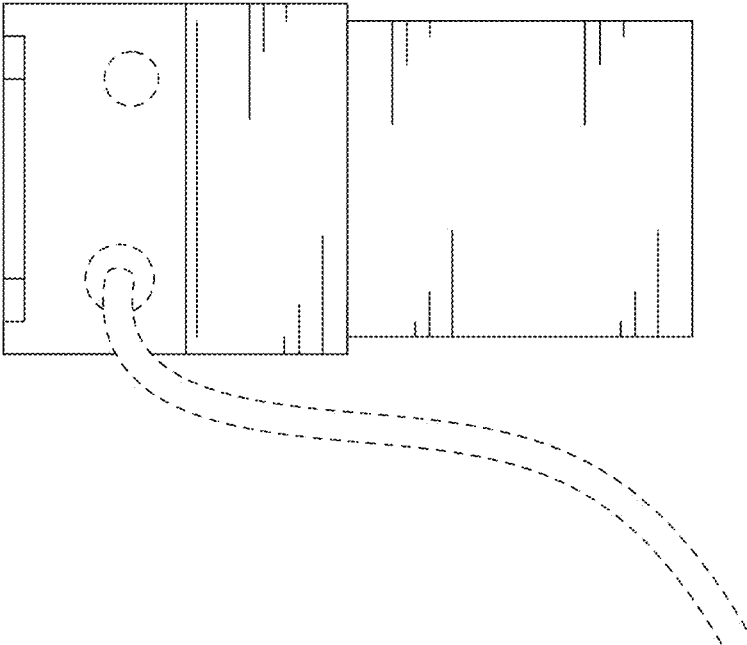


FIG. 9