



US00D743808S

(12) **United States Design Patent**
Bertrand et al.

(10) **Patent No.:** **US D743,808 S**

(45) **Date of Patent:** **** *Nov. 24, 2015**

(54) **DRAWSTRING TRASH BAG**

(75) Inventors: **Anthony H. Bertrand**, Mansfield, TX
(US); **Paul A. Selle**, Appleton, WI (US)

(73) Assignee: **Poly-America, L.P.**, Grand Prairie, TX
(US)

(*) Notice: This patent is subject to a terminal disclaimer.

(**) Term: **14 Years**

(21) Appl. No.: **29/383,138**

(22) Filed: **Jan. 12, 2011**

(51) **LOC (10) Cl.** **09-05**

(52) **U.S. Cl.**
USPC **D9/703**

(58) **Field of Classification Search**

USPC D9/702-714, 720-722, 424, 430-433,
D9/414, 418, 444; 229/87.01, 87.06,
229/87.08, 87.11; 222/92, 107, 215;
220/495.03, 495.01, 495.11, 287, 666;
383/26, 119, 127, 33, 71-75, 103, 43,
383/903, 105, 116, 203; 426/106; 428/35.2;
53/456, 459, 433-434, 133.4;
24/30.5 R, 30.5 P, 30.5 W, 582.12, 400;
D11/215; 219/727, 730; 493/186-200
CPC B65D 85/505; B65D 85/52; B65D 77/06;
B65D 1/32

See application file for complete search history.

(56) **References Cited**

U.S. PATENT DOCUMENTS

2,080,402 A * 5/1937 Herman 206/260
2,465,646 A * 3/1949 Greenslade 383/95
3,506,048 A * 4/1970 Jortikka 383/6

3,637,000 A * 1/1972 Walger et al. 383/61.3
3,738,567 A * 6/1973 Ruda 383/75
4,552,269 A * 11/1985 Chang 383/211
D297,307 S * 8/1988 Garber D9/710
4,840,270 A * 6/1989 Caputo et al. 206/205
4,880,316 A * 11/1989 Belmont et al. 383/75
5,006,380 A * 4/1991 Fraser 428/35.2
D347,994 S * 6/1994 Hammond D9/703
D383,060 S * 9/1997 Pfuhl et al. D9/708
D429,459 S * 8/2000 Berman D9/707
D434,977 S * 12/2000 Young, III D9/706
D499,637 S * 12/2004 Elze et al. D9/708
D515,497 S * 2/2006 Watson D12/416
D555,009 S * 11/2007 Lin D9/707
7,364,362 B2 * 4/2008 Schneider et al. 383/61.2
7,758,243 B2 * 7/2010 Bonke 383/75
7,914,207 B1 * 3/2011 Beam 383/11
7,946,765 B2 * 5/2011 Melvan et al. 383/43
8,118,489 B2 * 2/2012 Waldron et al. 383/75
8,523,439 B2 * 9/2013 Ross 383/75
8,657,495 B2 * 2/2014 Maxwell et al. 383/75

* cited by examiner

Primary Examiner — Karen E Kearney

Assistant Examiner — Abraham Bahta

(74) *Attorney, Agent, or Firm* — Brandon J. Lee; Daniel J. Layden

(57) **CLAIM**

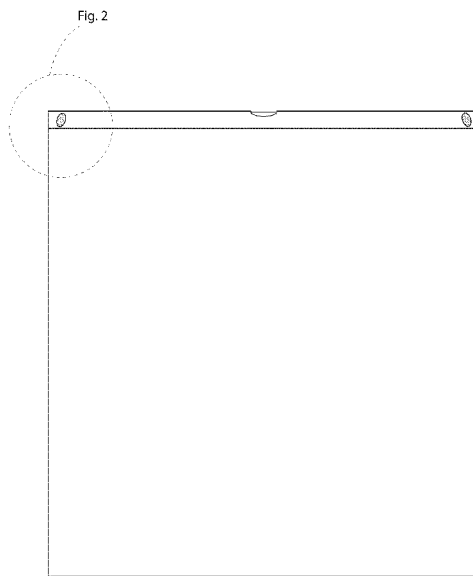
The ornamental design for a drawstring trash bag, as shown and described.

DESCRIPTION

FIG. 1 is a front elevation view of the drawstring trash bag showing our new design, the back view being identical; and, FIG. 2 is an enlarged view of the oval shape taken from FIG. 1, shown separately for ease of illustration.

The broken lines showing the bottom portion of the bag are for the purposes of illustrating portions of the “article” and form no part of the claimed design.

1 Claim, 2 Drawing Sheets



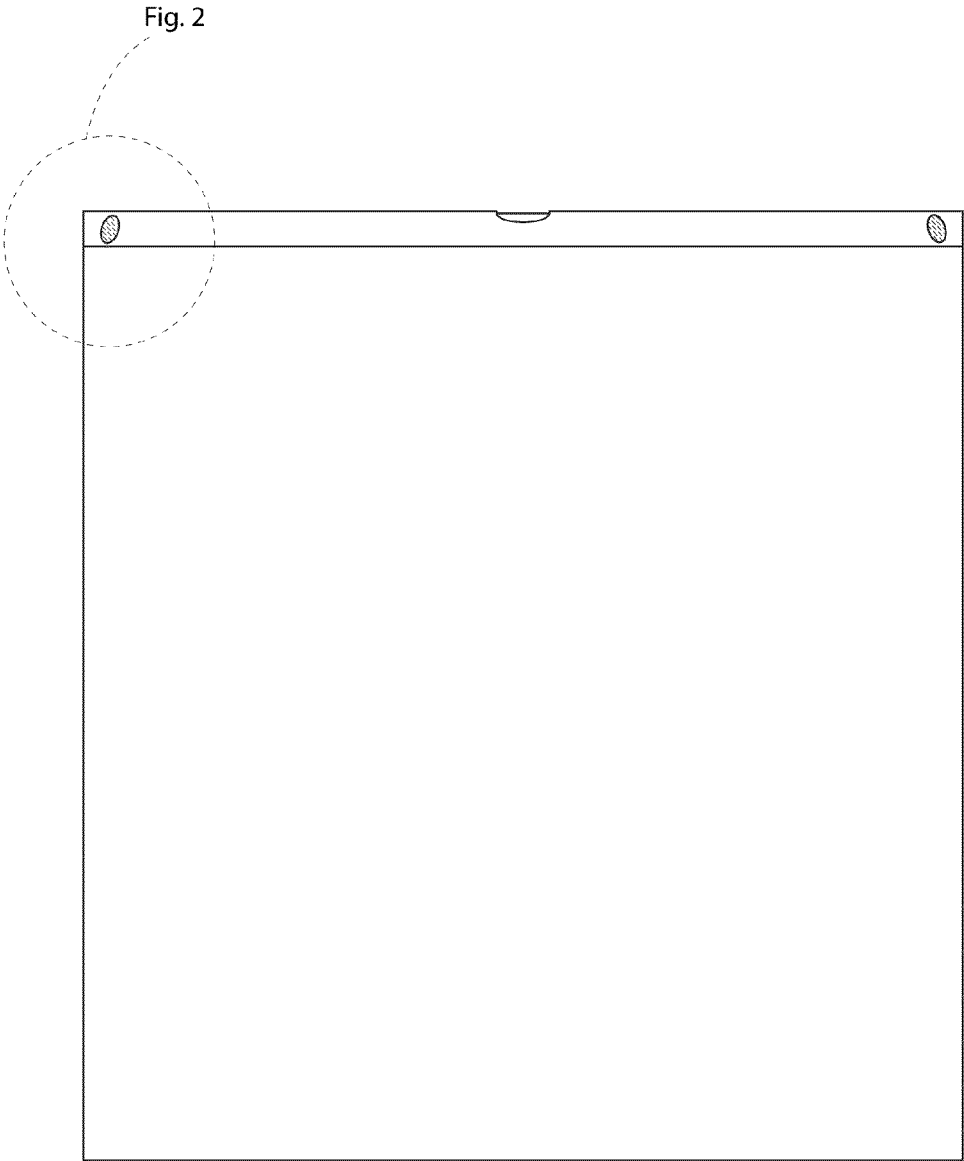


Fig. 1

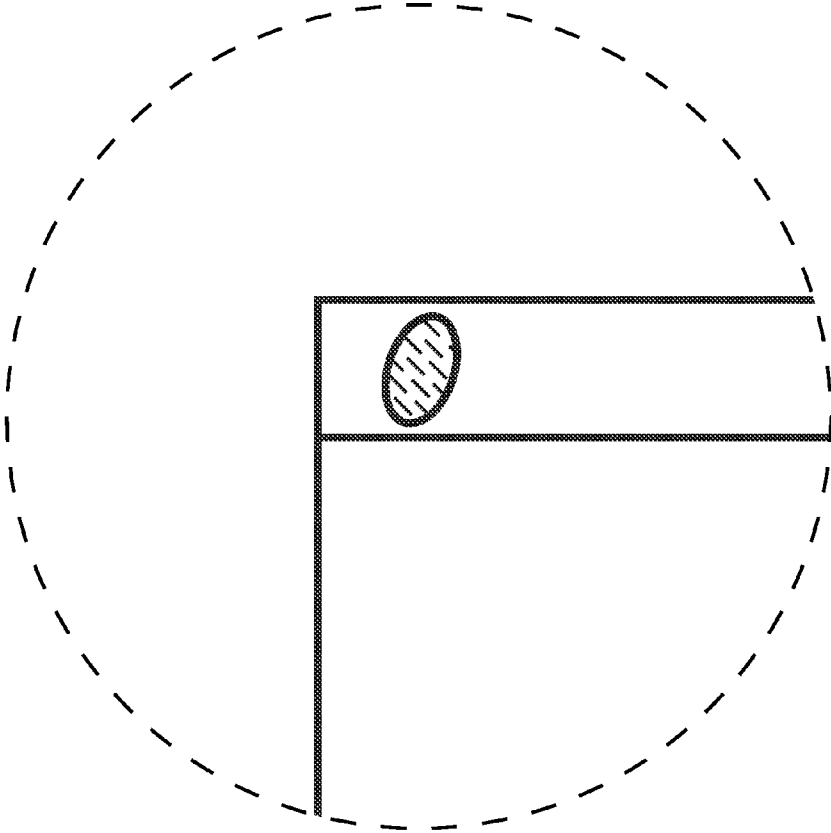


Fig. 2