



US00D987862S

(12) **United States Design Patent**  
**Yang**

(10) **Patent No.:** **US D987,862 S**

(45) **Date of Patent:** **\*\* May 30, 2023**

(54) **VEHICLE LIGHT**

(71) Applicant: **SONAR AUTO PARTS CO., LTD.**,  
New Taipei (TW)

(72) Inventor: **Hsiu-Pen Yang**, New Taipei (TW)

(73) Assignee: **SONAR AUTO PARTS CO., LTD.**,  
New Taipei (TW)

(\*\*) Term: **15 Years**

(21) Appl. No.: **29/757,943**

(22) Filed: **Nov. 11, 2020**

(51) **LOC (14) Cl.** ..... **26-06**

(52) **U.S. Cl.**  
USPC ..... **D26/28**

(58) **Field of Classification Search**  
USPC ..... D26/35, 34, 31, 30, 28, 36, 29; D12/86,  
D12/90, 91, 92, 169  
CPC . F21V 21/04; F21S 41/00; F21S 41/26; F21S  
41/50; F21S 41/36; F21S 41/32; F21S  
41/10; F21S 41/141; F21S 43/00; F21S  
43/15; F21S 43/237; F21S 48/00; F21S  
48/1233

See application file for complete search history.

(56) **References Cited**

**U.S. PATENT DOCUMENTS**

D842,503 S *	3/2019	Yang	.....	D26/28
D843,621 S *	3/2019	Yang	.....	D26/28
D899,641 S *	10/2020	He	.....	D26/28
D900,359 S *	10/2020	He	.....	D26/28
D912,863 S *	3/2021	Wu	.....	D26/28
D916,337 S *	4/2021	Yang	.....	D26/28

D919,139 S *	5/2021	Wu	.....	D26/28
D932,073 S *	9/2021	Lin	.....	D26/28
D932,670 S *	10/2021	Wu	.....	D26/28
D936,872 S *	11/2021	Wu	.....	D26/28
D936,875 S *	11/2021	Wu	.....	D26/28
D937,454 S *	11/2021	Wu	.....	D26/28
D937,456 S *	11/2021	Lin	.....	D26/28
D950,802 S *	5/2022	Tsai	.....	D26/28
D952,912 S *	5/2022	Wu	.....	D26/28
D952,913 S *	5/2022	Wu	.....	D26/28
D954,308 S *	6/2022	Lin	.....	D26/28
D959,712 S *	8/2022	Yang	.....	D26/28
D959,713 S *	8/2022	Yang	.....	D26/28

\* cited by examiner

*Primary Examiner* — Shawn T Gingrich  
*Assistant Examiner* — Kathryn Elizabeth Chambers  
(74) *Attorney, Agent, or Firm* — Li & Cai Intellectual  
Property Office

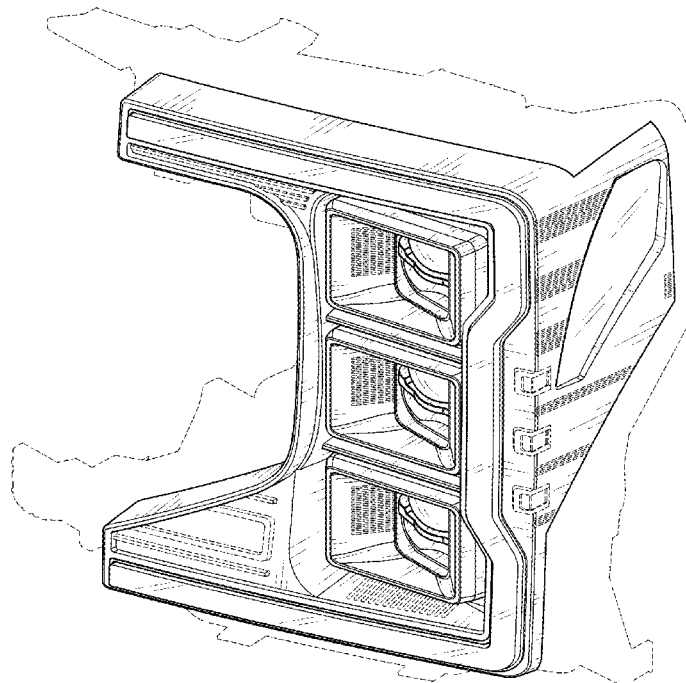
(57) **CLAIM**

The ornamental design for a vehicle light, as shown and described.

**DESCRIPTION**

FIG. 1 is a front, right side and top perspective view of a vehicle light showing the claimed design;  
FIG. 2 is a front elevational view thereof;  
FIG. 3 is a rear elevational view thereof;  
FIG. 4 is a left side elevational view thereof;  
FIG. 5 is a right side elevational view thereof;  
FIG. 6 is a top plan view thereof; and,  
FIG. 7 is a bottom plan view thereof.  
The dashed broken lines in the drawing depict portions of the vehicle light that form no part of the claimed design.

**1 Claim, 7 Drawing Sheets**



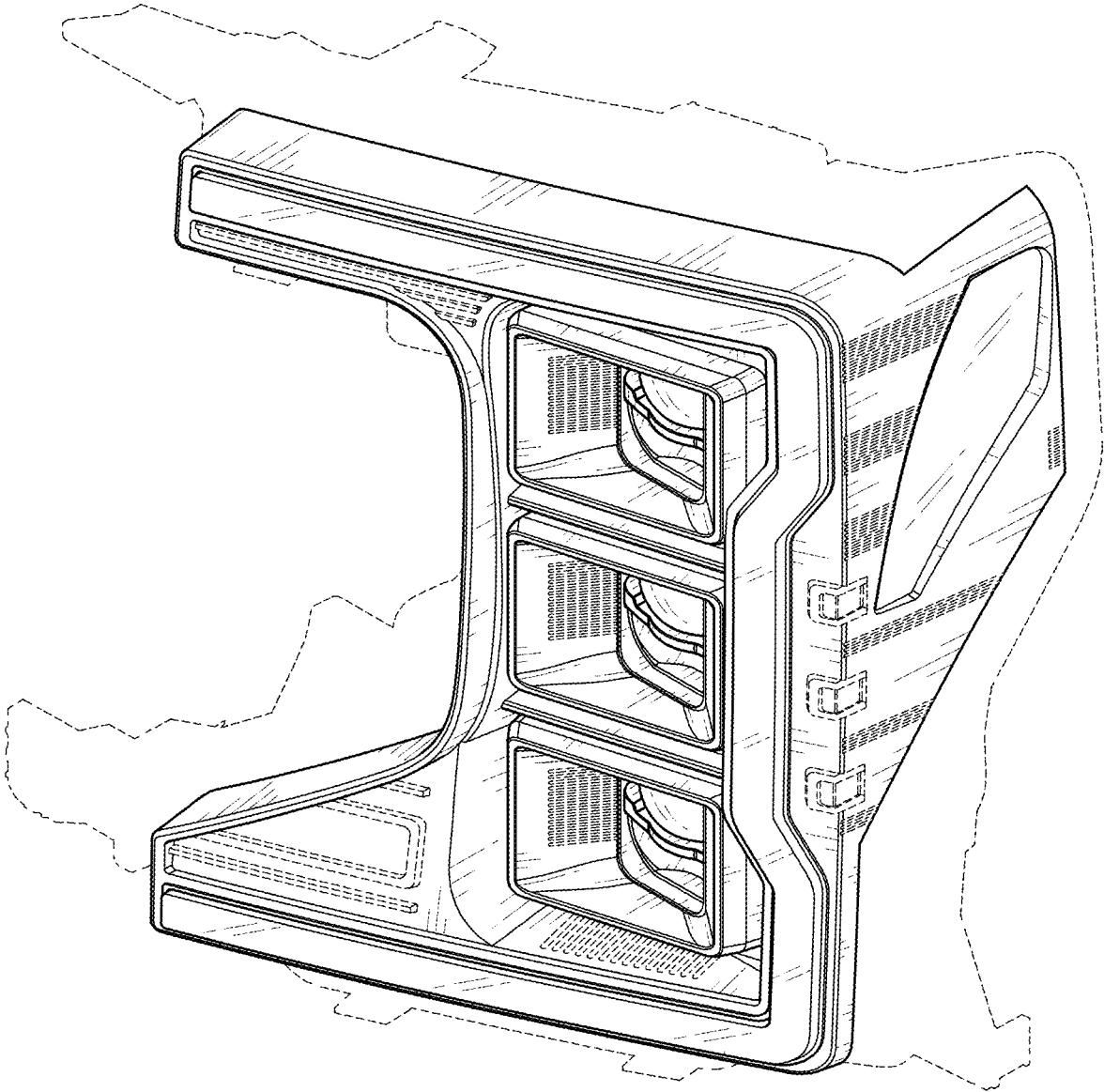


FIG. 1

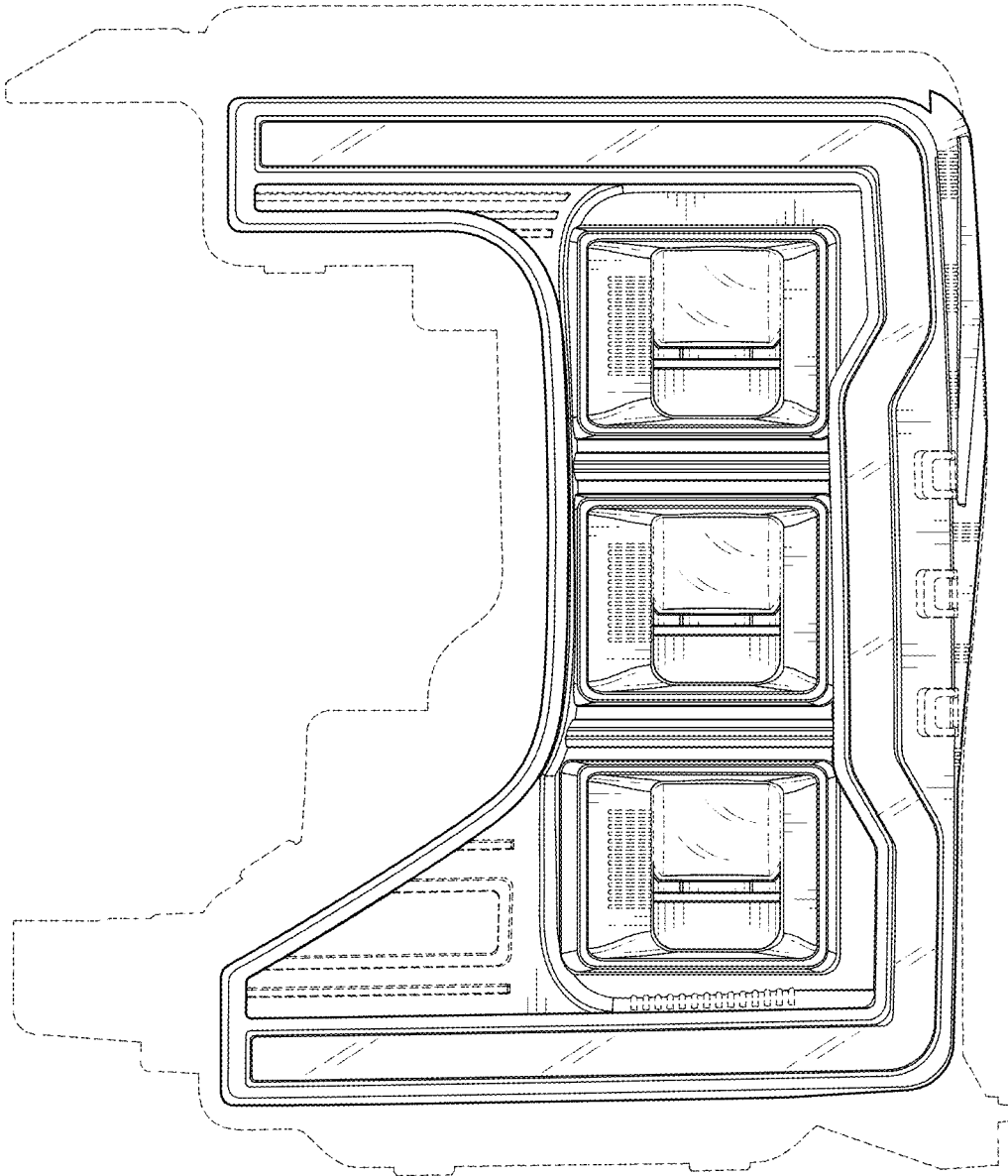


FIG. 2

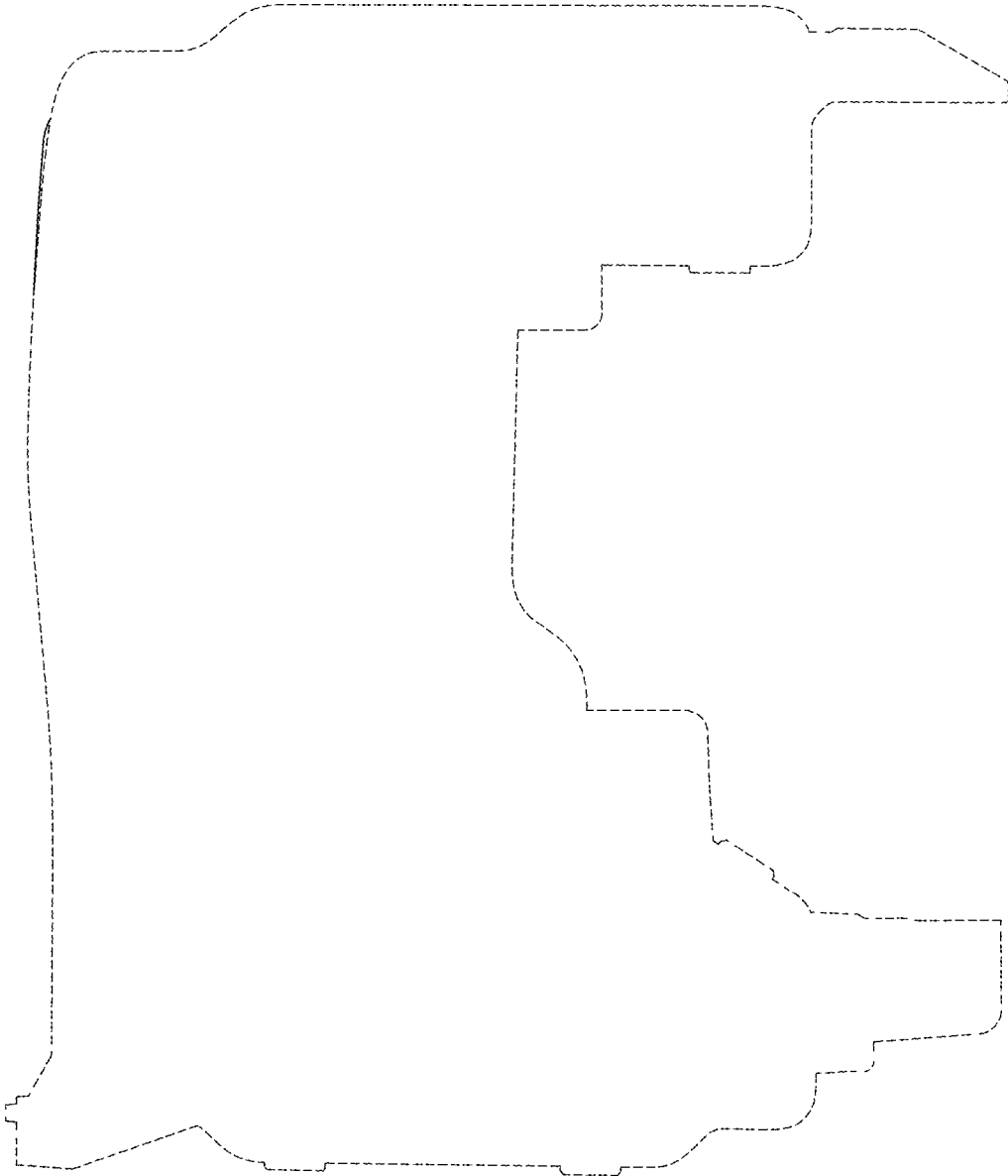


FIG. 3

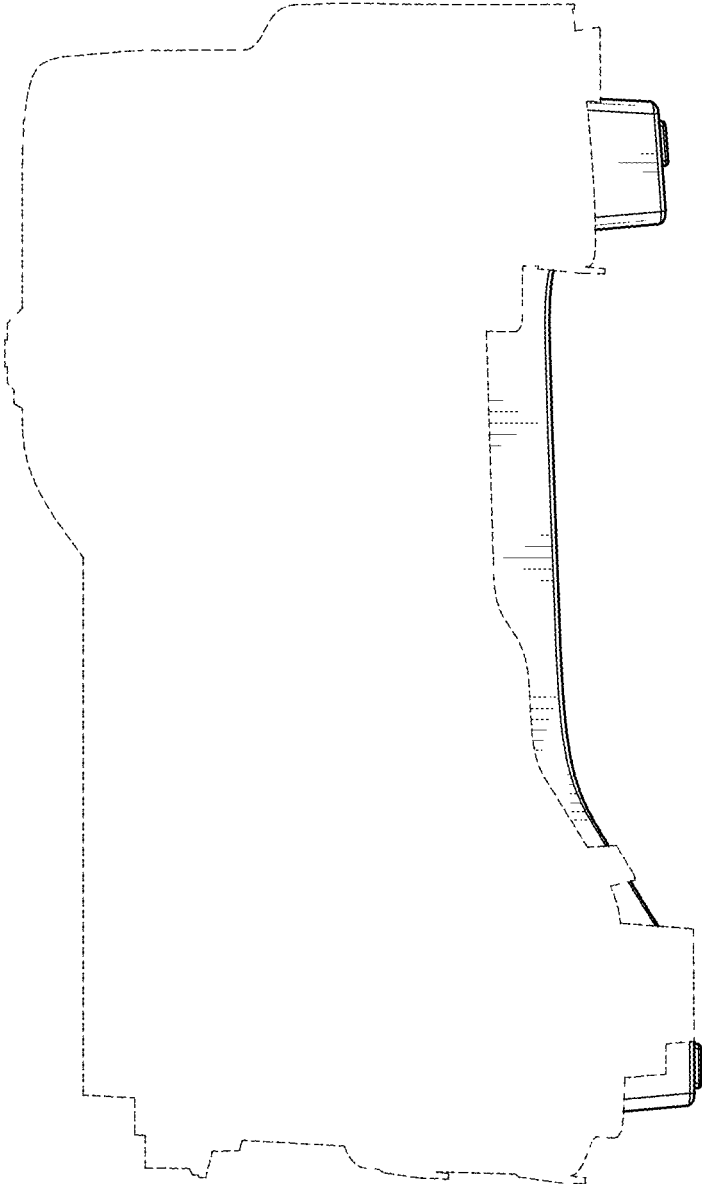


FIG. 4

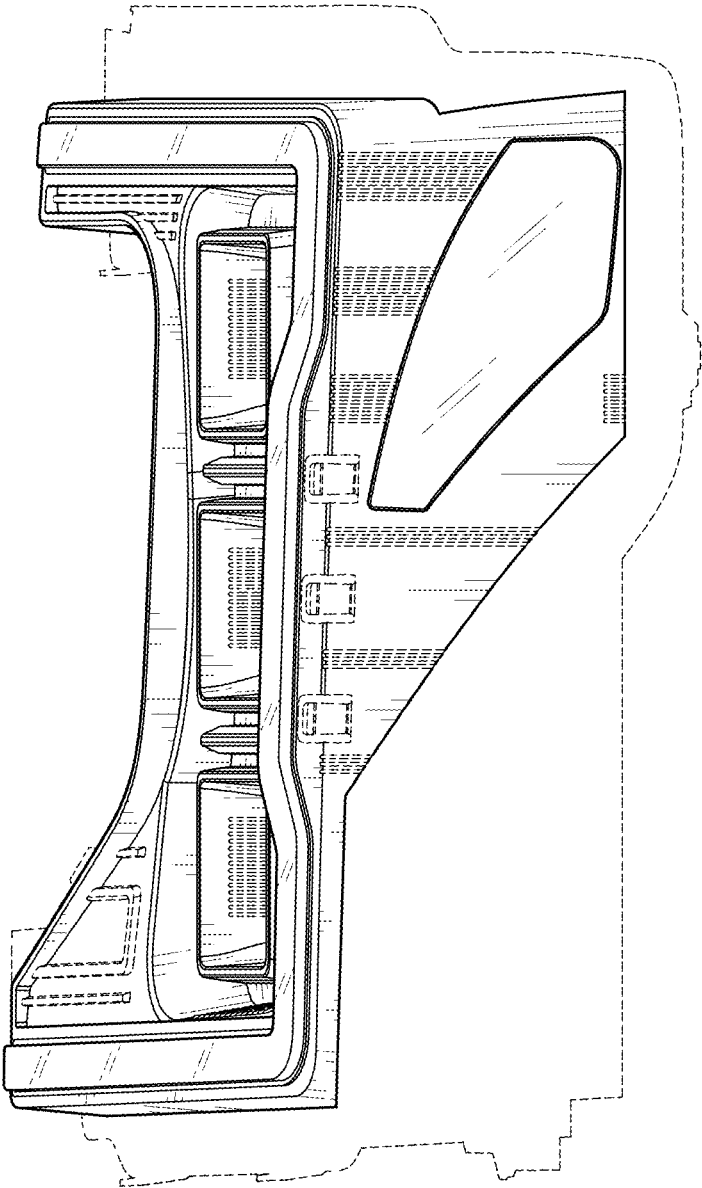


FIG. 5

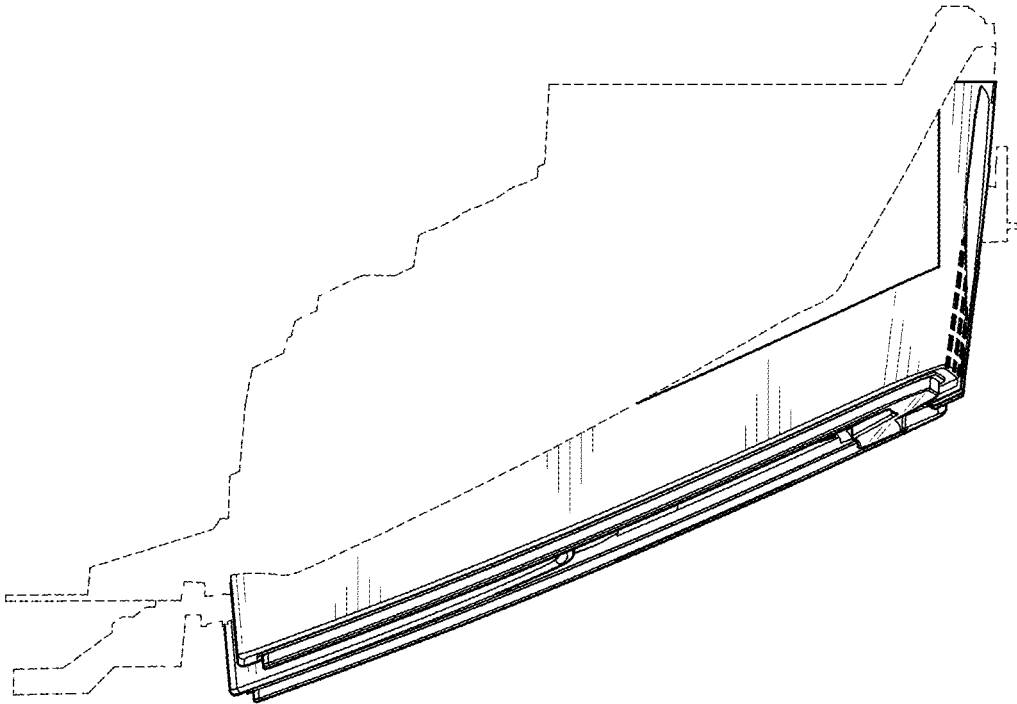


FIG. 6

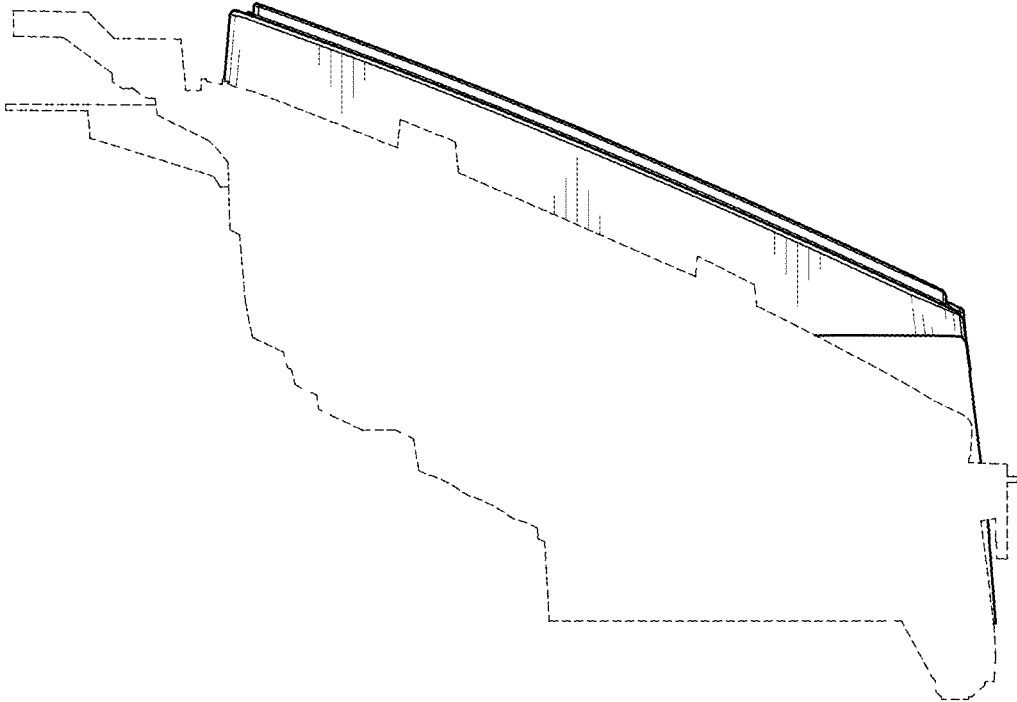


FIG. 7