



US00D925806S

(12) **United States Design Patent**
Xia

(10) **Patent No.:** **US D925,806 S**

(45) **Date of Patent:** **** Jul. 20, 2021**

(54) **LED WALL LIGHT**

(71) Applicant: **Shenzhen Oowolf Culture Co., Ltd.**,
Shenzhen (CN)

(72) Inventor: **Ruxiu Xia**, Shenzhen (CN)

(73) Assignee: **SHENZHEN OOWOLF CULTURE CO., LTD.**, Shenzhen (CN)

(**) Term: **15 Years**

(21) Appl. No.: **29/701,706**

(22) Filed: **Aug. 14, 2019**

(51) **LOC (13) Cl.** **26-03**

(52) **U.S. Cl.**

USPC **D26/85**; D26/89

(58) **Field of Classification Search**

USPC D26/85, 88, 89, 91, 118

CPC F21S 8/03; F21S 8/033; F21S 8/036; F21S

8/04; F21S 8/043; F21S 8/046; F21S

8/06; F21S 8/061; F21S 8/063; F21S

8/065

See application file for complete search history.

(56) **References Cited**

U.S. PATENT DOCUMENTS

D631,573	S	*	1/2011	Yamamoto	D26/2
D662,621	S	*	6/2012	Yamamoto	D26/2
D765,903	S	*	9/2016	Zhang	D26/89
D780,980	S	*	3/2017	Starck	D26/89
D785,848	S	*	5/2017	Couture	D26/89
D824,575	S	*	7/2018	Boulanger	D26/89
D848,659	S	*	5/2019	Mou	D26/89
D857,970	S	*	8/2019	Yang	D26/89
10,739,513	B2	*	8/2020	Kim	G02B 6/0038

D920,563	S	*	5/2021	Xie	D26/89
2017/0009962	A1	*	1/2017	Feit	F21S 8/061
2018/0372284	A1	*	12/2018	Danesh	F21K 9/68
2019/0101257	A1	*	4/2019	Boulanger	H05B 45/48

OTHER PUBLICATIONS

Efizio LED Wall/Ceiling Light by Huxe. Designed in 2019, Product ID: E2GP295281, available from ylighting.com, visited Jun. 3, 2021. (Year: 2019).*

Renata LED Wall/Ceiling Light by Huxe. Designed in 2019. Product ID: E2GP295739, available from ylighting.com, visited Jun. 3, 2021. (Year: 2019).*

Eclipse Round LED Wall Sconce. Designed by James Bassant from Astro Lighting. Product ID: ASTY19135, available from ylighting.com as early as Jun. 2, 2020. (Year: 2020).*

* cited by examiner

Primary Examiner — Clare E Heflin

(57) **CLAIM**

The ornamental design for an LED wall light, as shown and described.

DESCRIPTION

FIG. 1 is a perspective view of an LED wall light showing my new design;

FIG. 2 is another perspective view thereof;

FIG. 3 is a front elevational view thereof;

FIG. 4 is a rear elevational view thereof;

FIG. 5 is a left side elevational view thereof;

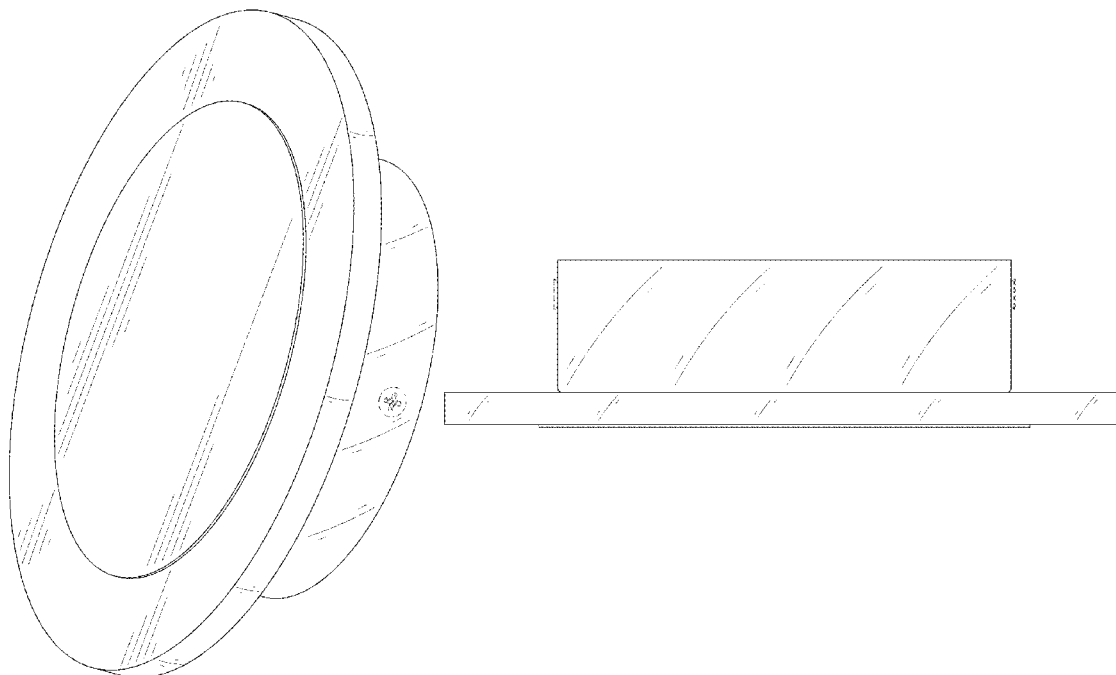
FIG. 6 is a right side elevational view thereof;

FIG. 7 is a top plan view thereof; and,

FIG. 8 is a bottom plan view thereof.

The broken lines in the drawings depict portions of the LED wall light that form no part of the claimed design.

1 Claim, 8 Drawing Sheets



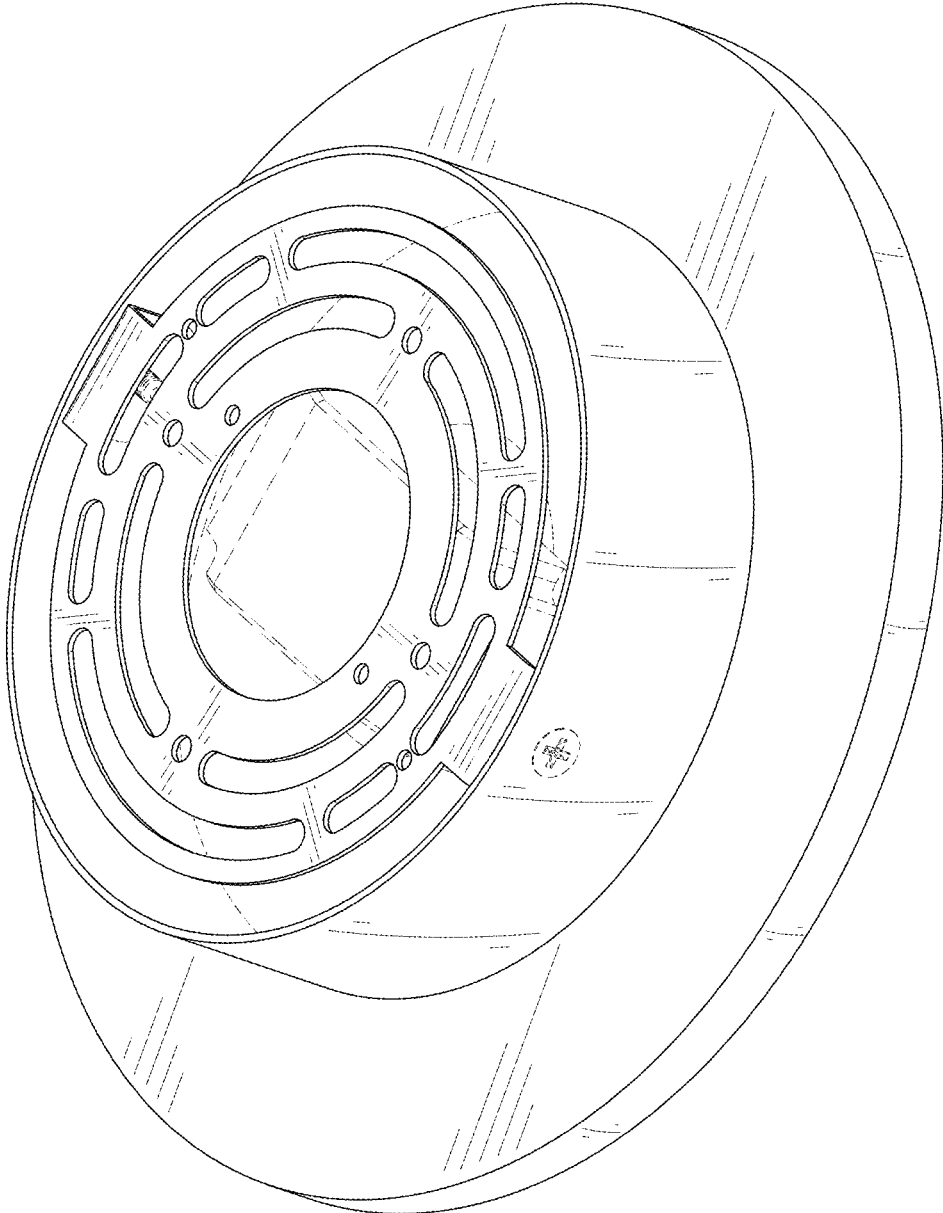


FIG. 1

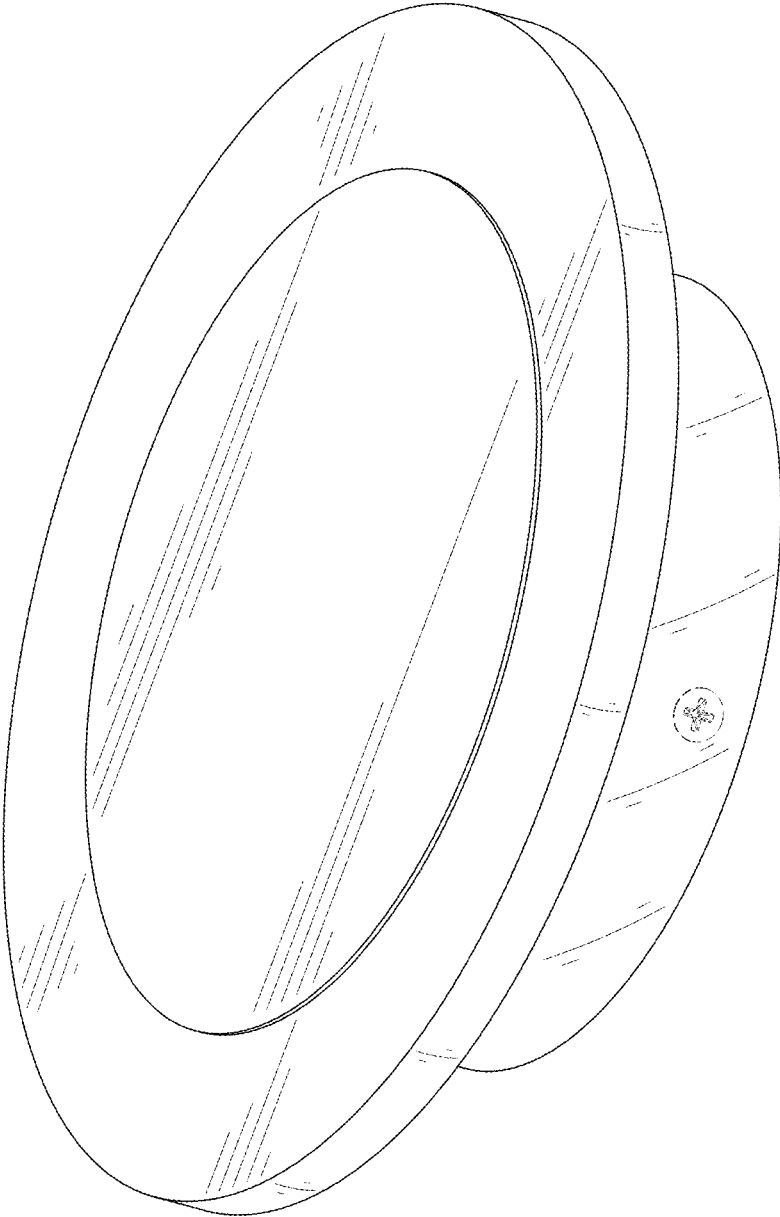


FIG. 2

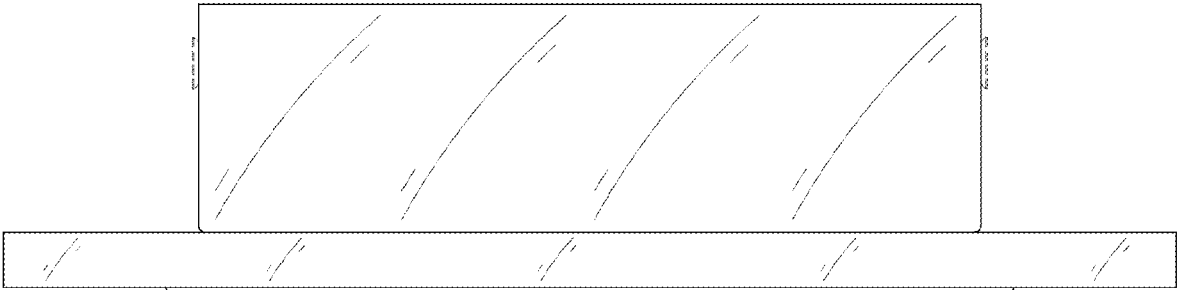


FIG. 3

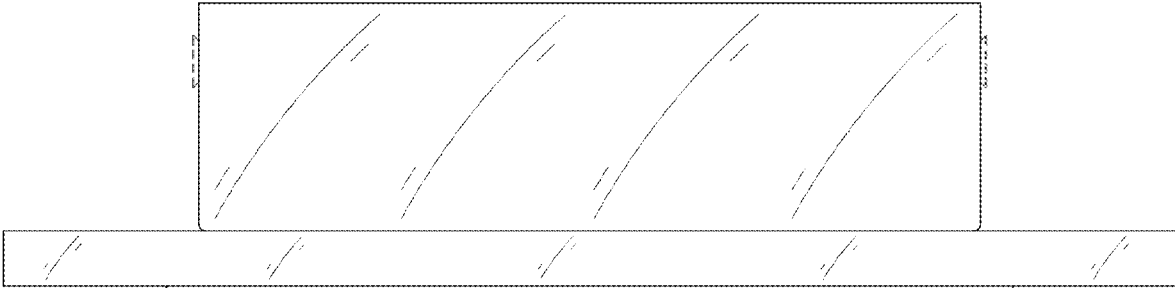


FIG. 4

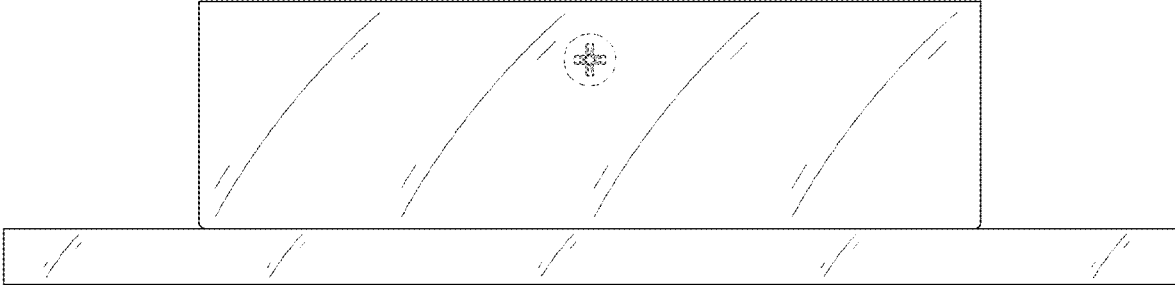


FIG. 5

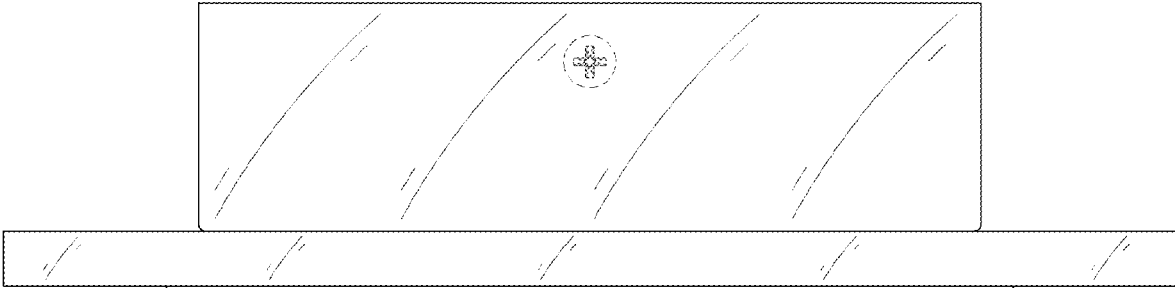


FIG. 6

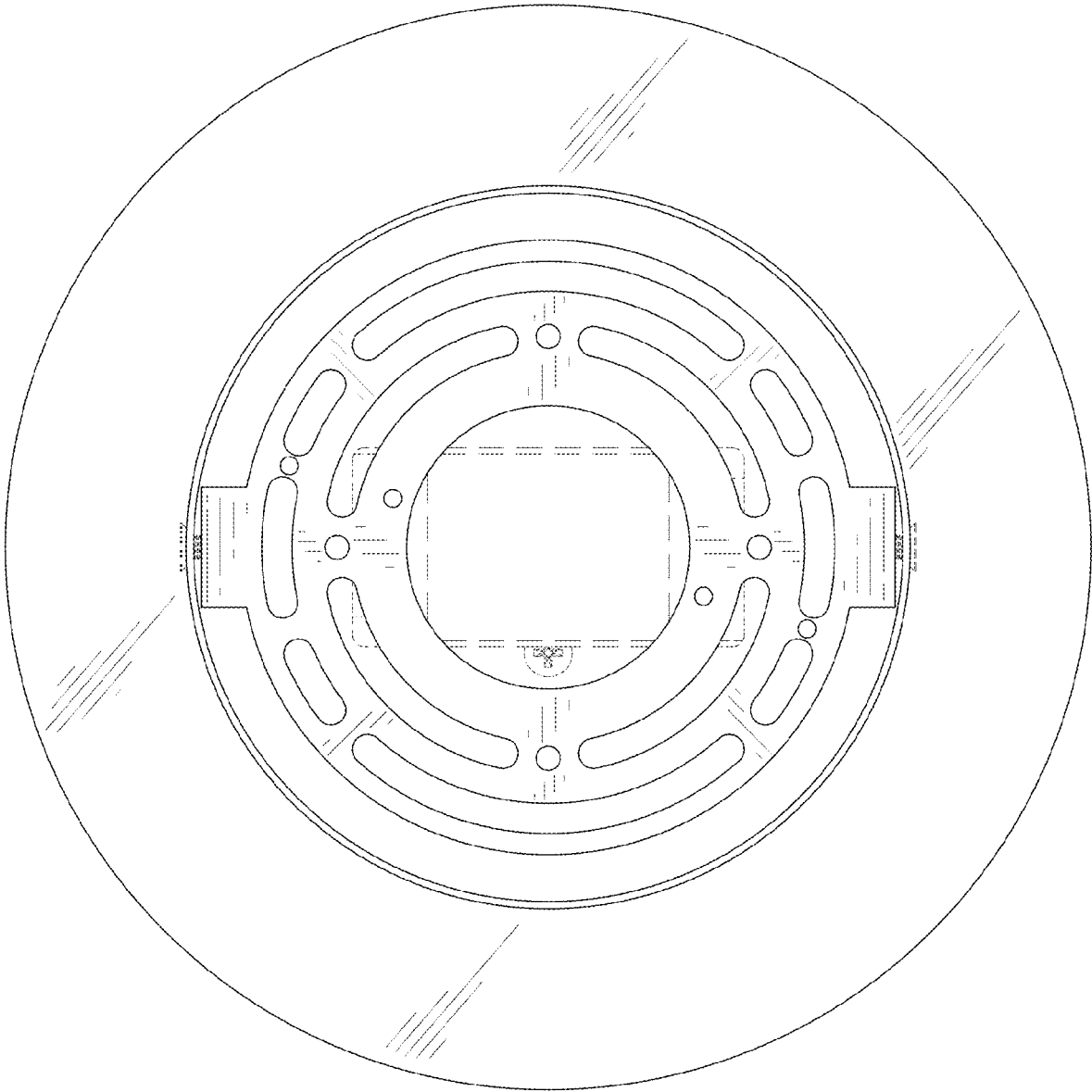


FIG. 7

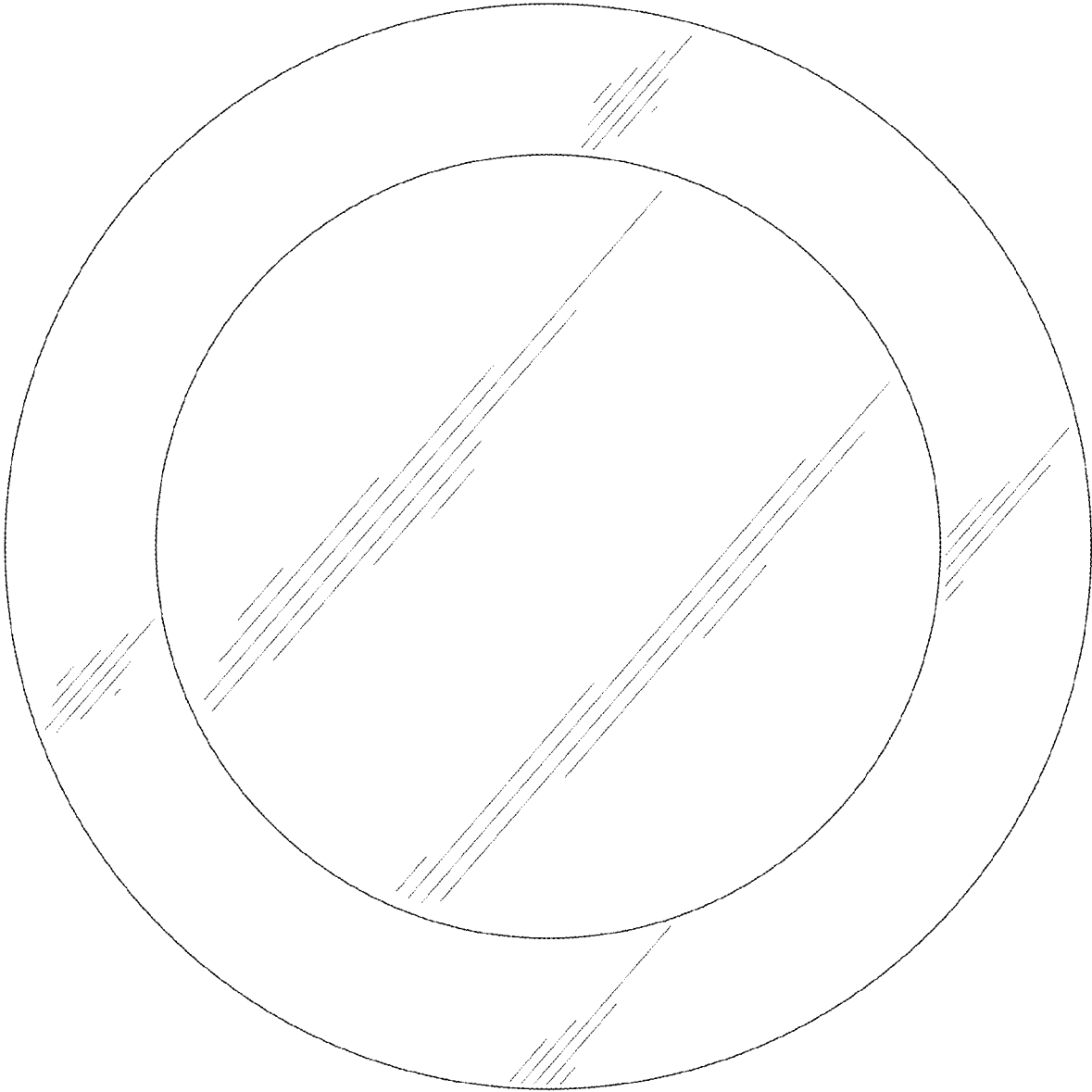


FIG. 8