



US00D872073S

(12) **United States Design Patent**  
**Cha et al.**

(10) **Patent No.:** **US D872,073 S**

(45) **Date of Patent:** **\*\* Jan. 7, 2020**

(54) **COMPUTER**

(71) Applicant: **Hewlett-Packard Development Company, L.P.**, Houston, TX (US)

(72) Inventors: **Dong Ryul Cha**, Houston, TX (US); **Ilchan Lee**, Houston, TX (US); **Mark Senatori**, Houston, TX (US)

(73) Assignee: **Hewlett-Packard Development Company, L.P.**, Spring, TX (US)

(\*\*) Term: **15 Years**

(21) Appl. No.: **29/650,855**

(22) Filed: **Jun. 11, 2018**

(51) **LOC (12) Cl.** ..... **14-02**

(52) **U.S. Cl.**  
USPC ..... **D14/327**

(58) **Field of Classification Search**  
USPC ..... D14/315–328, 331, 334–335, 339–340;  
D18/1–2, 7, 11, 12.2–12.3  
(Continued)

(56) **References Cited**

**U.S. PATENT DOCUMENTS**

D528,541 S \* 9/2006 Maskatia ..... D14/315  
D580,432 S \* 11/2008 Yun ..... D14/345  
(Continued)

**OTHER PUBLICATIONS**

KR-300852800, posted at Orbit.com, publication date May 7, 2019.  
Site visited Oct. 24, 2019. Available from Internet. (Year: 2019).\*  
(Continued)

*Primary Examiner* — Kevin K Rudzinski  
*Assistant Examiner* — Kathleen L Jones

(74) *Attorney, Agent, or Firm* — Morgan, Lewis & Brockius

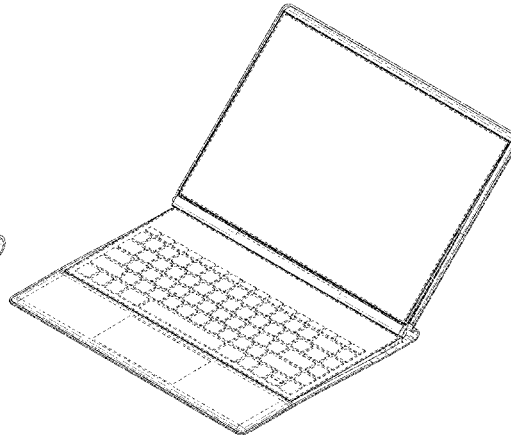
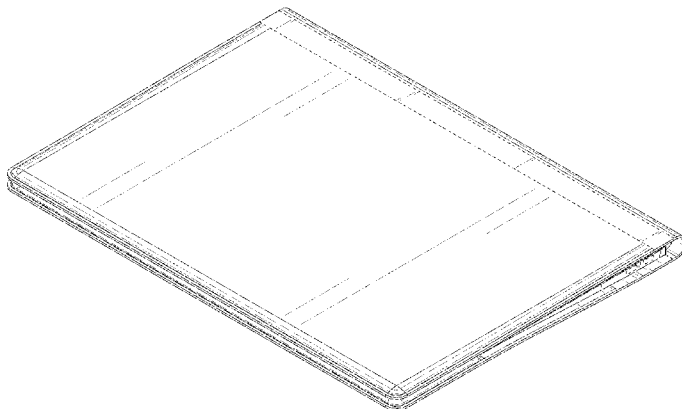
(57) **CLAIM**

The ornamental design for a computer, as shown and described.

**DESCRIPTION**

FIG. 1 is a top, front, left-side perspective view of a computer in accordance with our new design;  
FIG. 2 is a front elevational view of the computer shown in FIG. 1;  
FIG. 3 is a rear elevational view of the computer shown in FIG. 1;  
FIG. 4 is a right-side elevational view of the computer shown in FIG. 1;  
FIG. 5 is a left-side elevational view of the computer shown in FIG. 1;  
FIG. 6 is a top plan view of the computer shown in FIG. 1;  
FIG. 7 is a bottom plan view of the computer shown in FIG. 1;  
FIG. 8 is a top, front, left-side perspective view of the computer shown in FIG. 1, in a first open configuration;  
FIG. 9 is a front elevational view of the computer shown in FIG. 8;  
FIG. 10 is a rear elevational view of the computer shown in FIG. 8;  
FIG. 11 is a right-side elevational view of the computer shown in FIG. 8;  
FIG. 12 is a left-side elevational view of the computer shown in FIG. 8;  
FIG. 13 is a top plan view of the computer shown in FIG. 8;  
FIG. 14 is a bottom plan view of the computer shown in FIG. 8; and,  
FIG. 15 is a top, front, left-side perspective view of the computer shown in FIG. 8, in a second open configuration.  
The broken lines immediately adjacent the shaded areas represent the bounds of the claimed design while all other broken lines are directed to environment and are for illustrative purposes only; the broken lines form no part of the claimed design.

**1 Claim, 15 Drawing Sheets**



(58) **Field of Classification Search**

CPC ..... G06F 1/166; G06F 1/1613; G06F 1/1616;  
 G06F 1/1618; G06F 1/162; G06F 1/1622;  
 G06F 1/1624; G06F 1/1633; G06F  
 1/1615; G06F 1/1643; G06F 1/1654;  
 G06F 1/1669; G06F 1/203; G06F 1/1688  
 See application file for complete search history.

(56) **References Cited**

U.S. PATENT DOCUMENTS

D640,253 S \* 6/2011 Sung ..... D14/315  
 D664,538 S \* 7/2012 Ryu ..... D14/327  
 D664,953 S \* 8/2012 Hung ..... D14/327  
 D665,799 S \* 8/2012 Massaro ..... D14/315  
 D683,731 S \* 6/2013 Chiu ..... D14/345  
 D721,698 S \* 1/2015 Lee ..... D14/316  
 D727,310 S \* 4/2015 Senatori ..... D14/315  
 D727,313 S \* 4/2015 Lim ..... D14/316  
 D732,523 S \* 6/2015 Riddiford ..... D14/315  
 D733,120 S \* 6/2015 Lee ..... D14/316  
 D755,782 S \* 5/2016 Shyu ..... D14/315  
 D781,280 S \* 3/2017 Lyles ..... D14/315  
 D789,376 S \* 6/2017 Shyu ..... D14/315  
 D820,828 S \* 6/2018 Li ..... D14/316  
 D829,707 S \* 10/2018 Tin ..... D14/315  
 2014/0071607 A1 \* 3/2014 Frinak ..... G06F 1/1624  
 361/679.09

2014/0293525 A1 \* 10/2014 Tomita ..... G06F 1/1637  
 361/679.06  
 2015/0092346 A1 \* 4/2015 Ben ..... G06F 1/166  
 361/679.55  
 2016/0128439 A1 \* 5/2016 Senatori ..... G06F 1/162  
 206/45.2  
 2016/0202733 A1 \* 7/2016 Ho ..... G06F 1/1656  
 361/679.12  
 2016/0246335 A1 \* 8/2016 Senatori ..... G06F 1/162  
 2016/0299533 A1 \* 10/2016 Mehandjijsky ..... G06F 1/1679  
 2018/0024595 A1 \* 1/2018 Delpier ..... G06F 1/1681  
 361/679.09  
 2019/0042048 A1 \* 2/2019 Chandrasekhara ... G06F 3/0416  
 2019/0258300 A1 \* 8/2019 Gerardi ..... G06F 1/1618

OTHER PUBLICATIONS

Riofrio, Melissa, HP Spectre Folio review: This lightweight leather laptop is different in a very good way. Posted at PCWorld, posting date Apr. 8, 2019. URL: <<https://www.pcworld.com/article/3329916/hp-spectre-folio-review.html>> (Year: 2019).\*

A., James, Sony Launches Vaio Duo 13 Hybrid Laptop With Sliding Keyboard. Posted at Tablet News, posting date Jun. 5, 2013. URL: <<https://tablet-news.com/sony-launches-vaio-duo-13-hybrid-laptop-with-sliding-keyboard/>> (Year: 2013).\*

Concorde Slide, posted at Compal, posting date Jun. 17, 2017. URL: <<https://web.archive.org/web/20170617003614/https://www.compal.com/why-compal/>> (Year: 2017).\*

\* cited by examiner

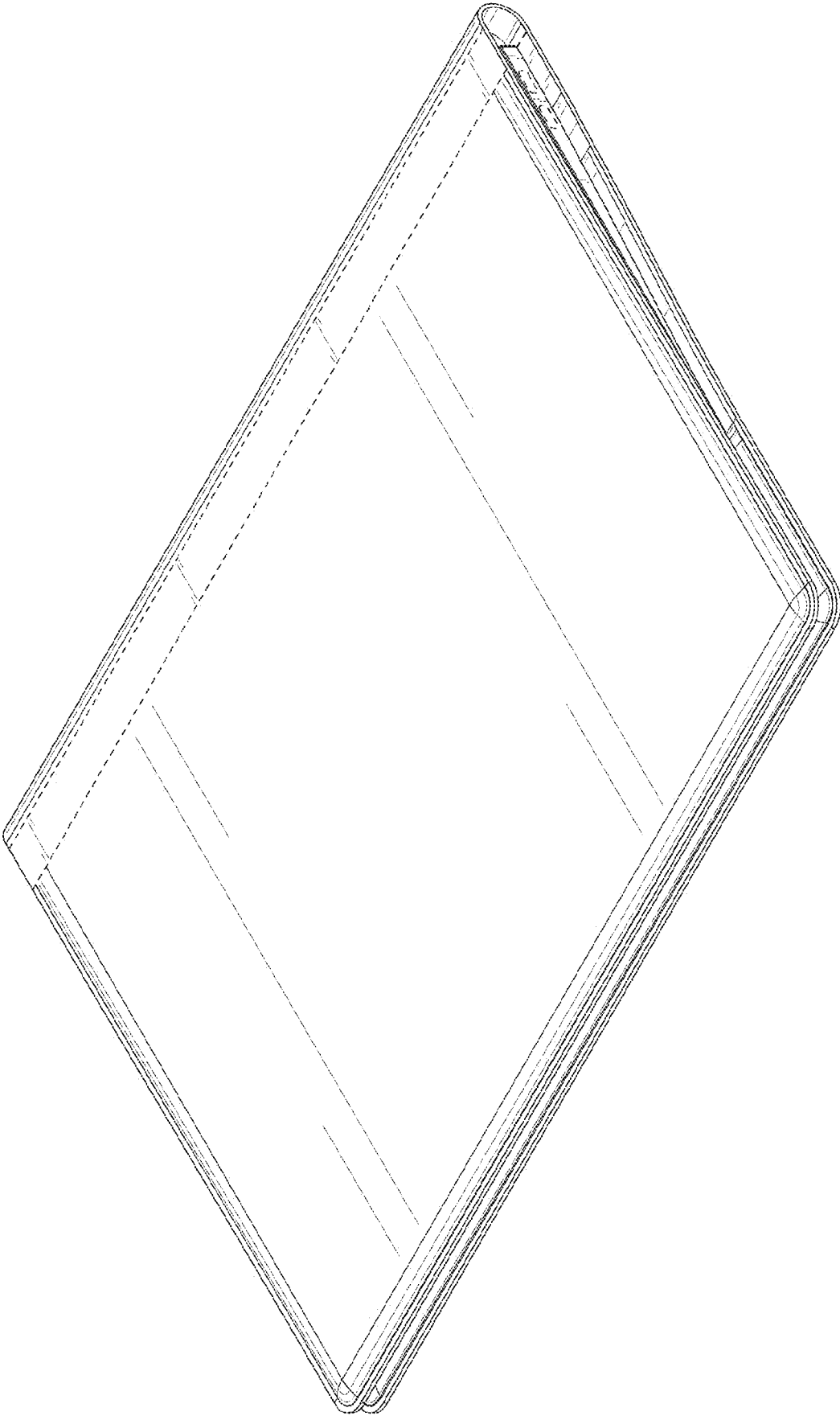


FIG. 1



FIG. 2



FIG. 3



FIG. 4



FIG. 5

FIG. 6

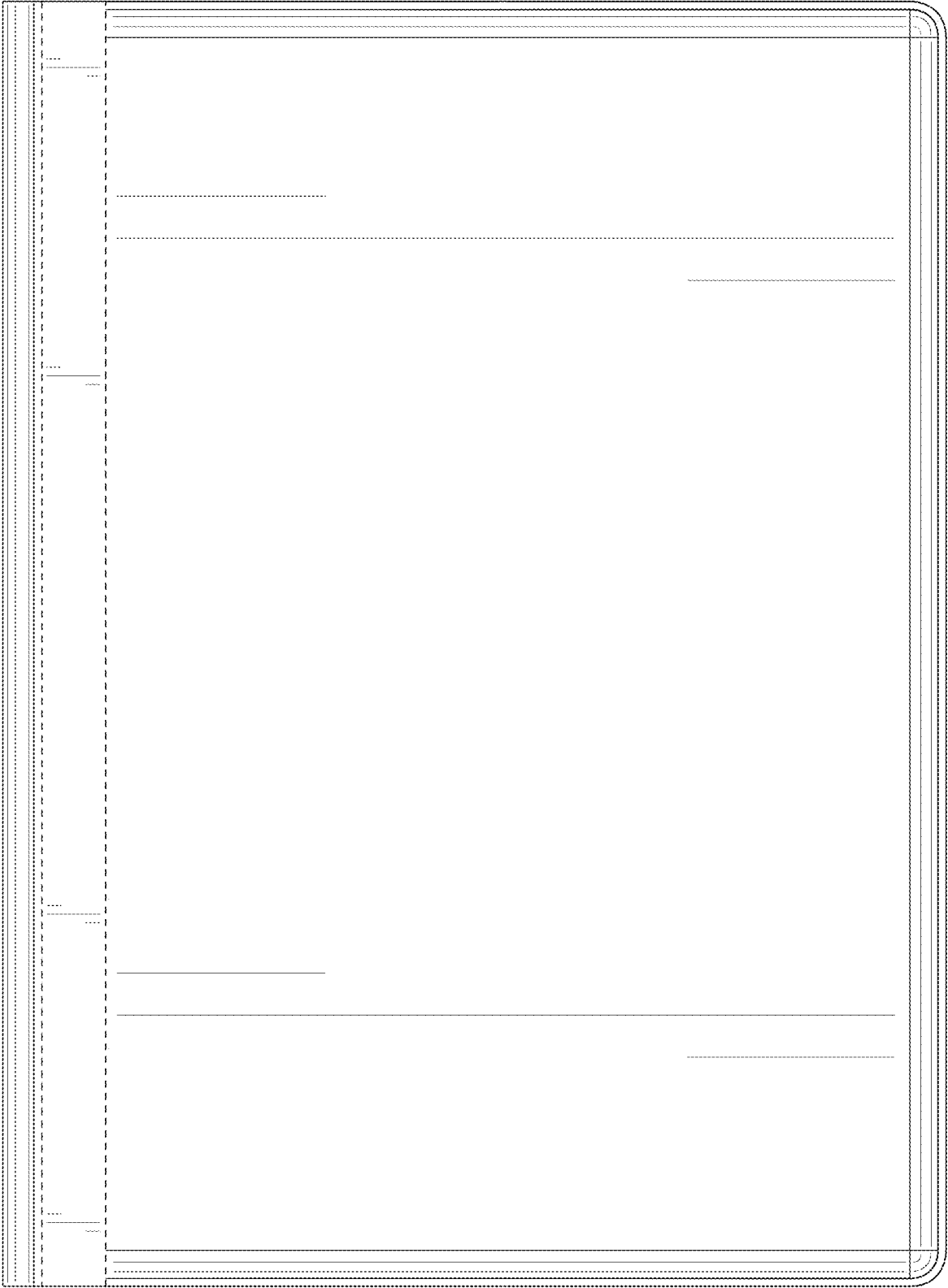
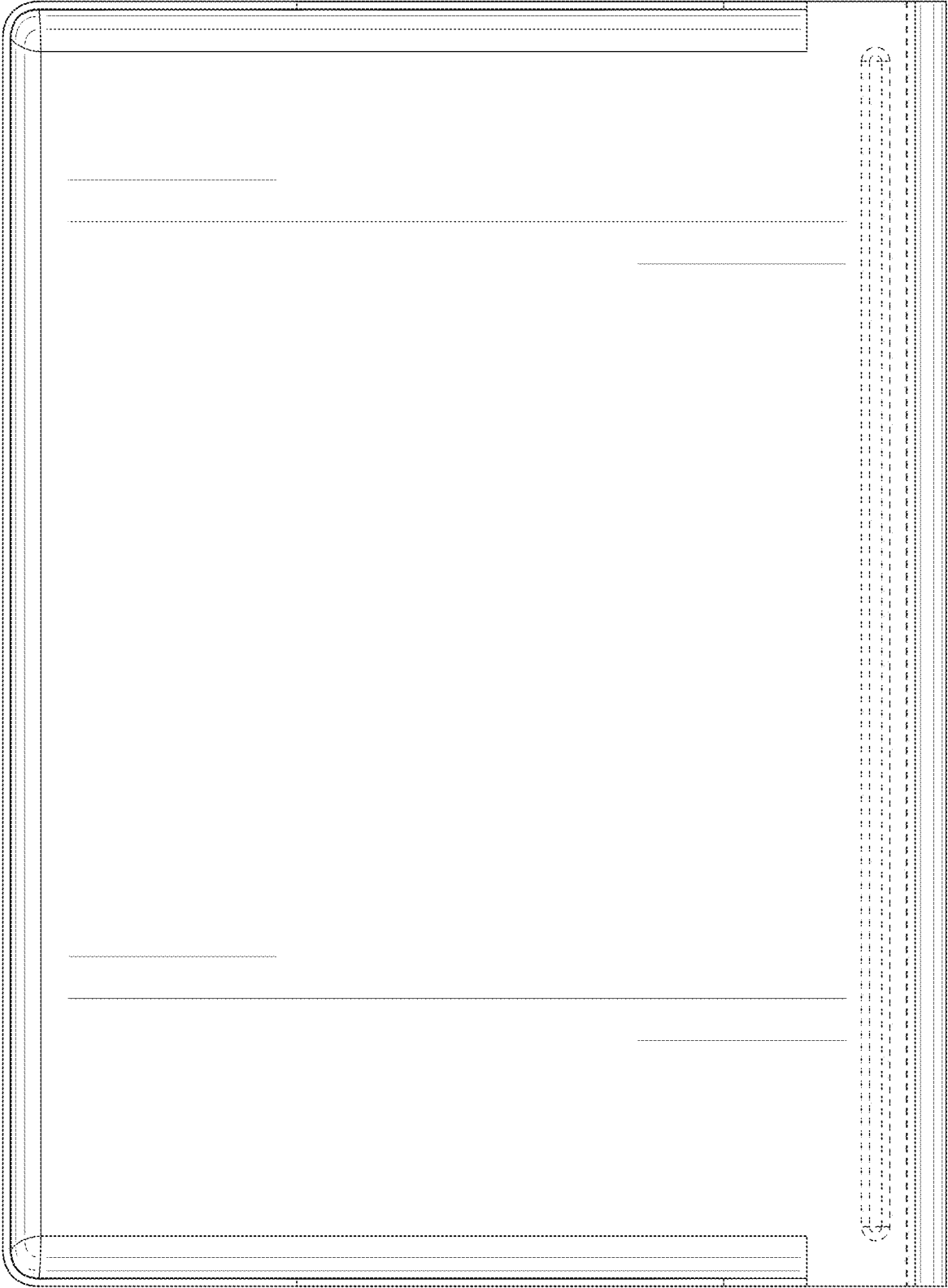




FIG. 7



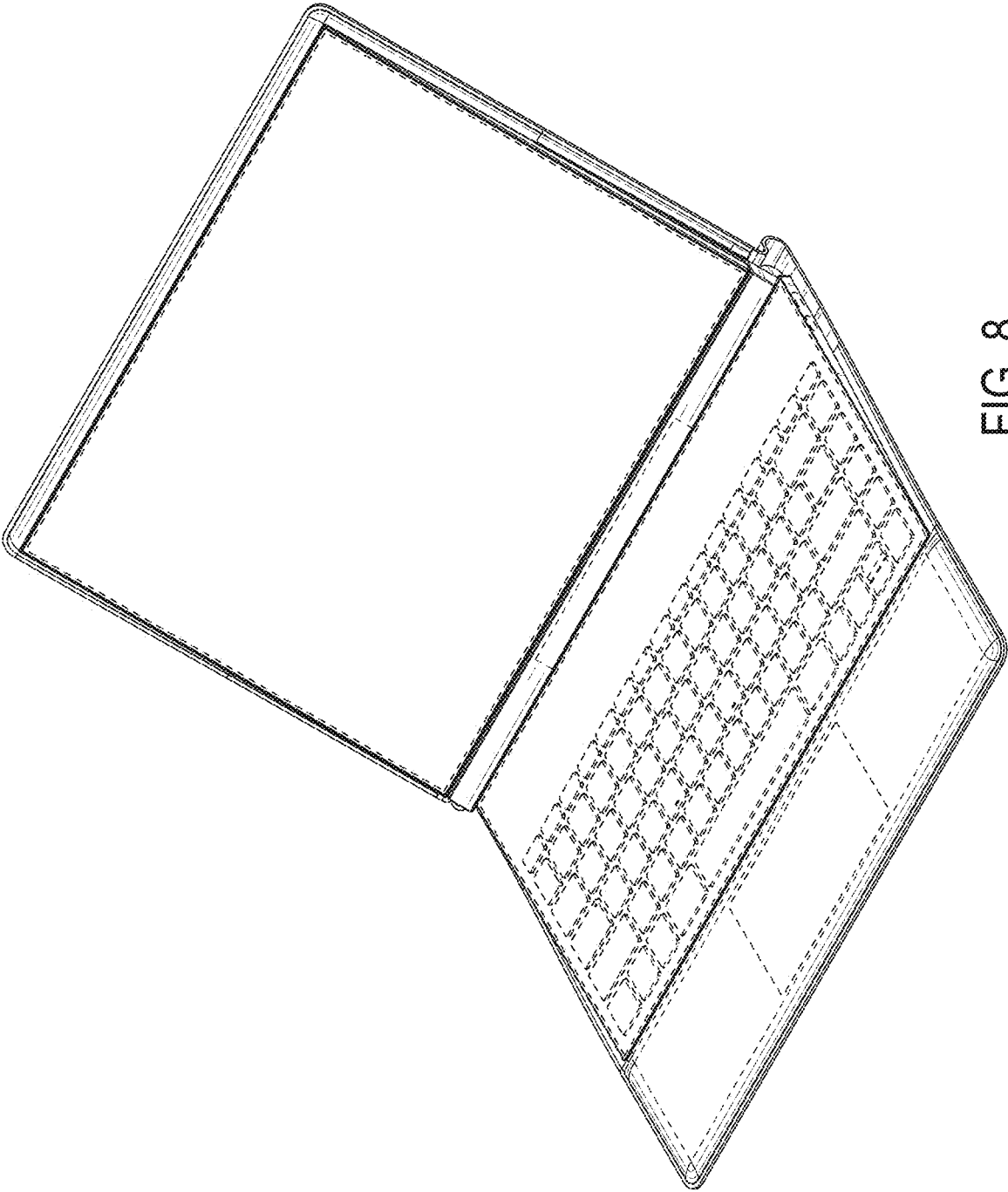


FIG. 8

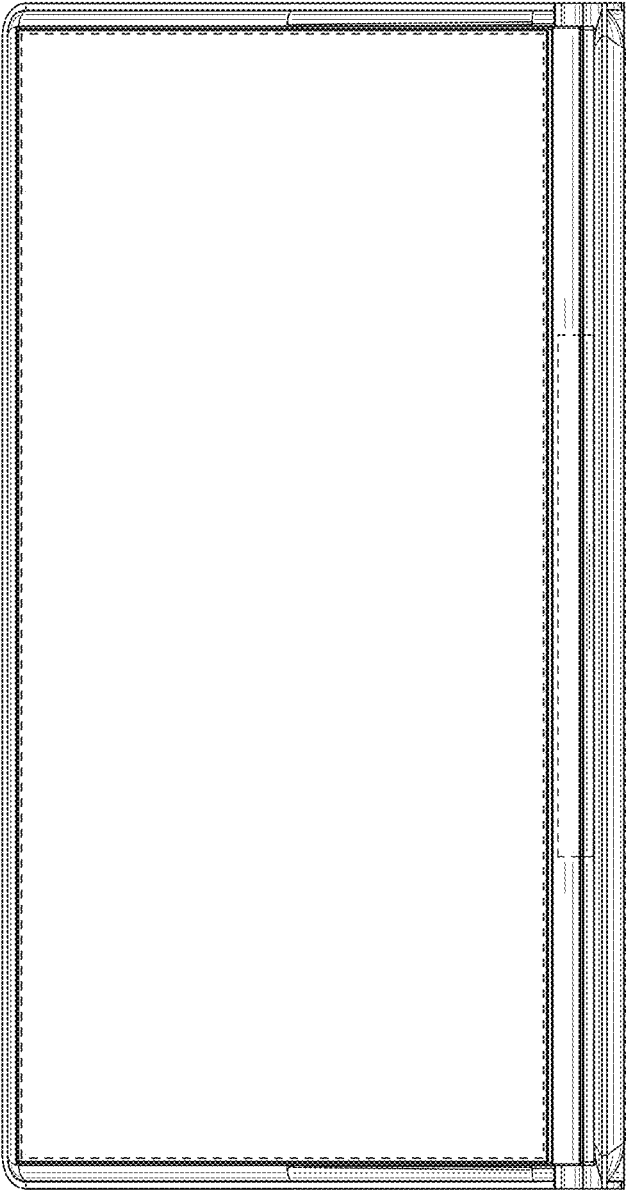


FIG. 9

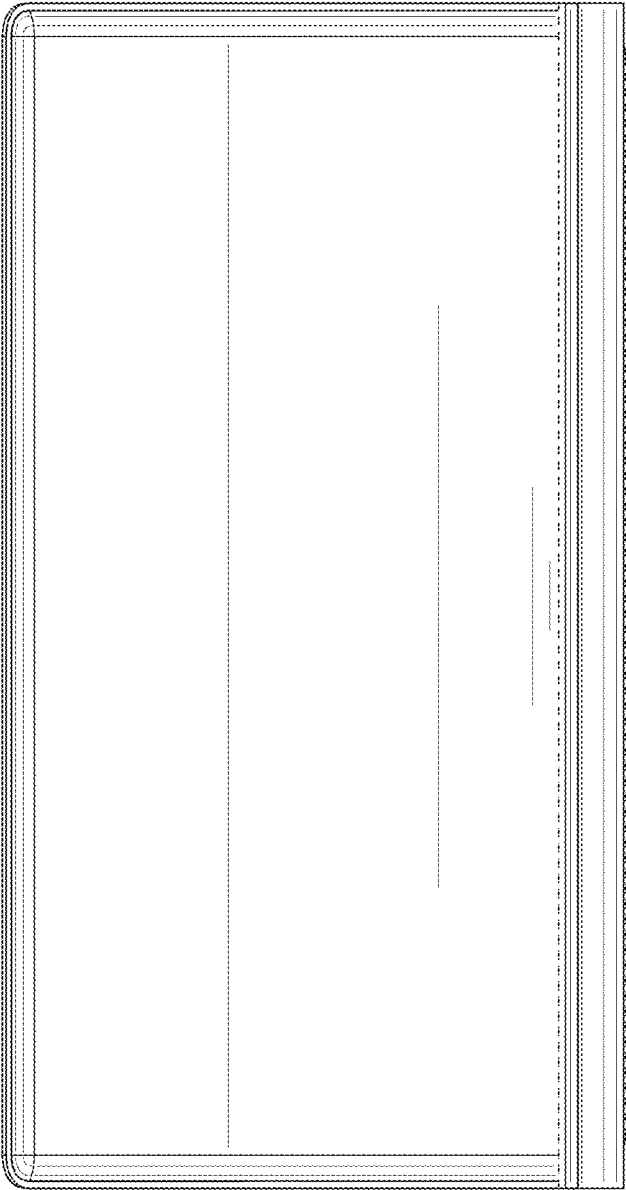


FIG. 10

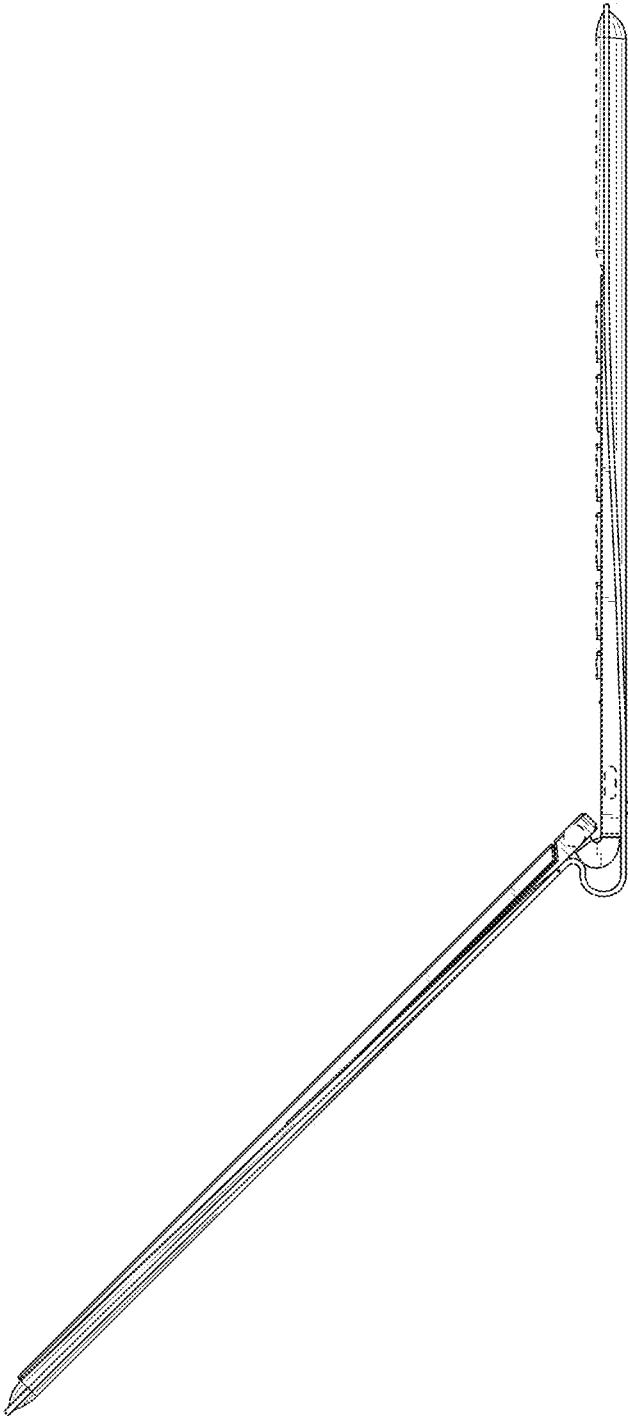


FIG. 11

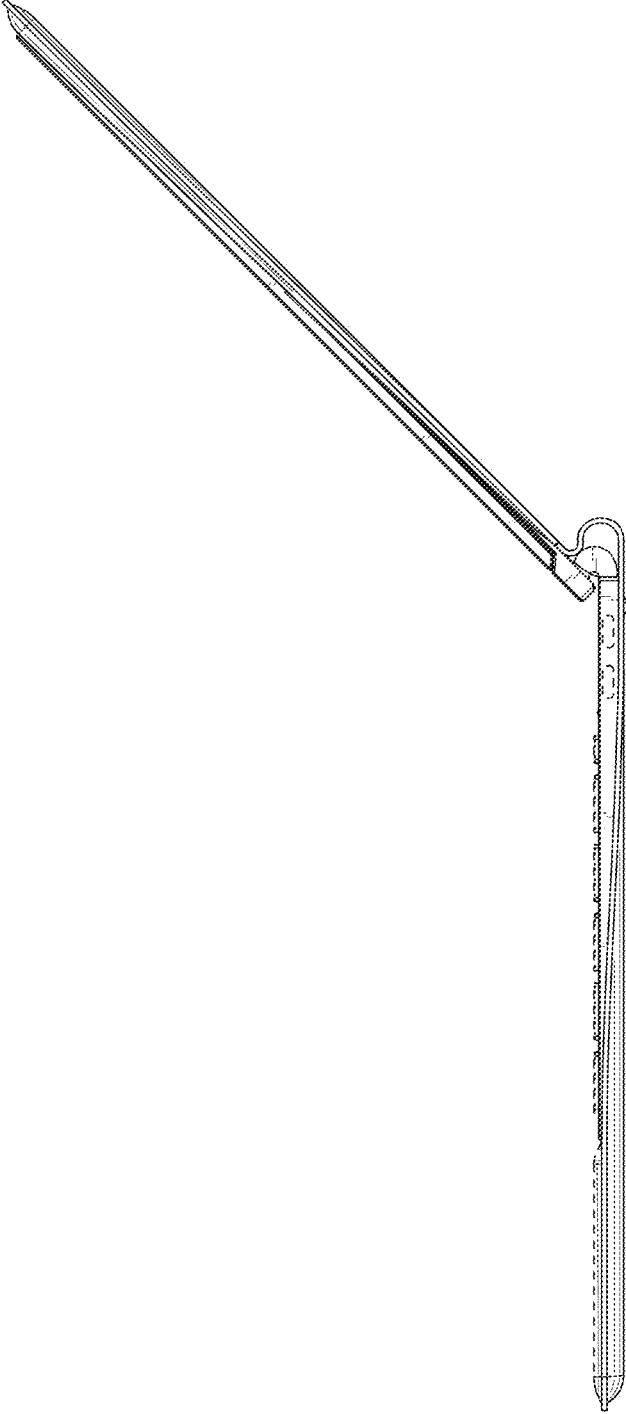


FIG. 12

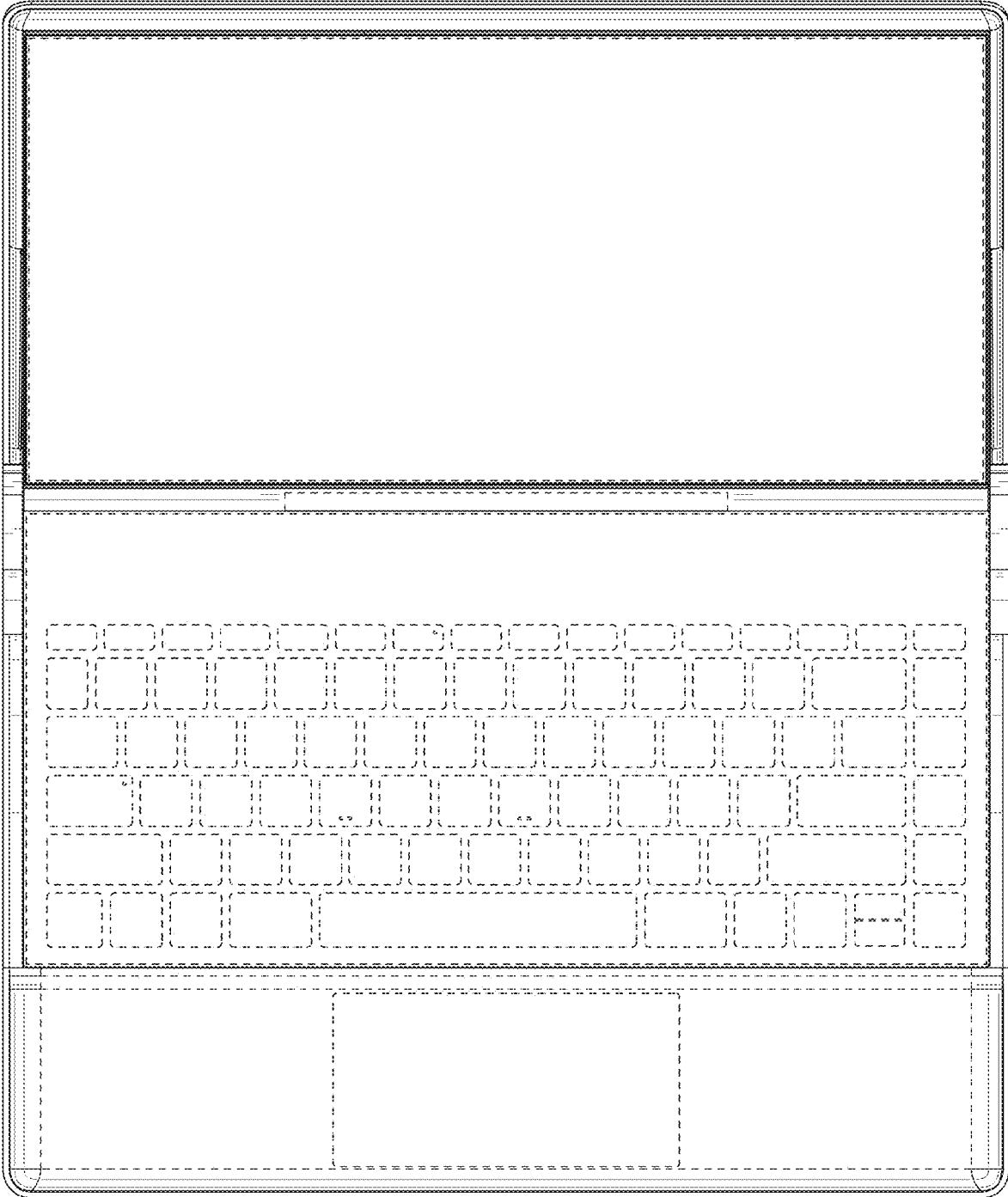


FIG. 13

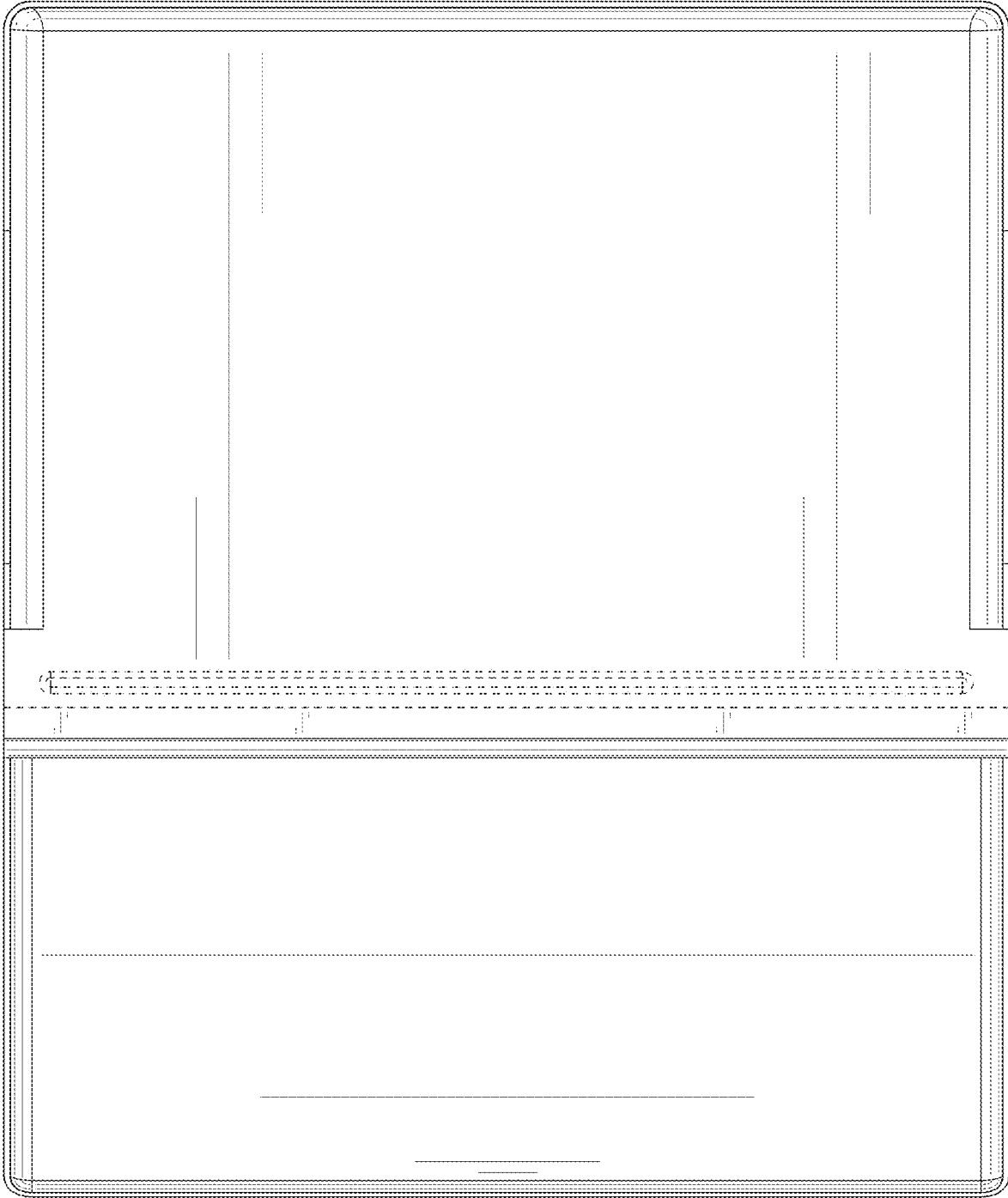


FIG. 14



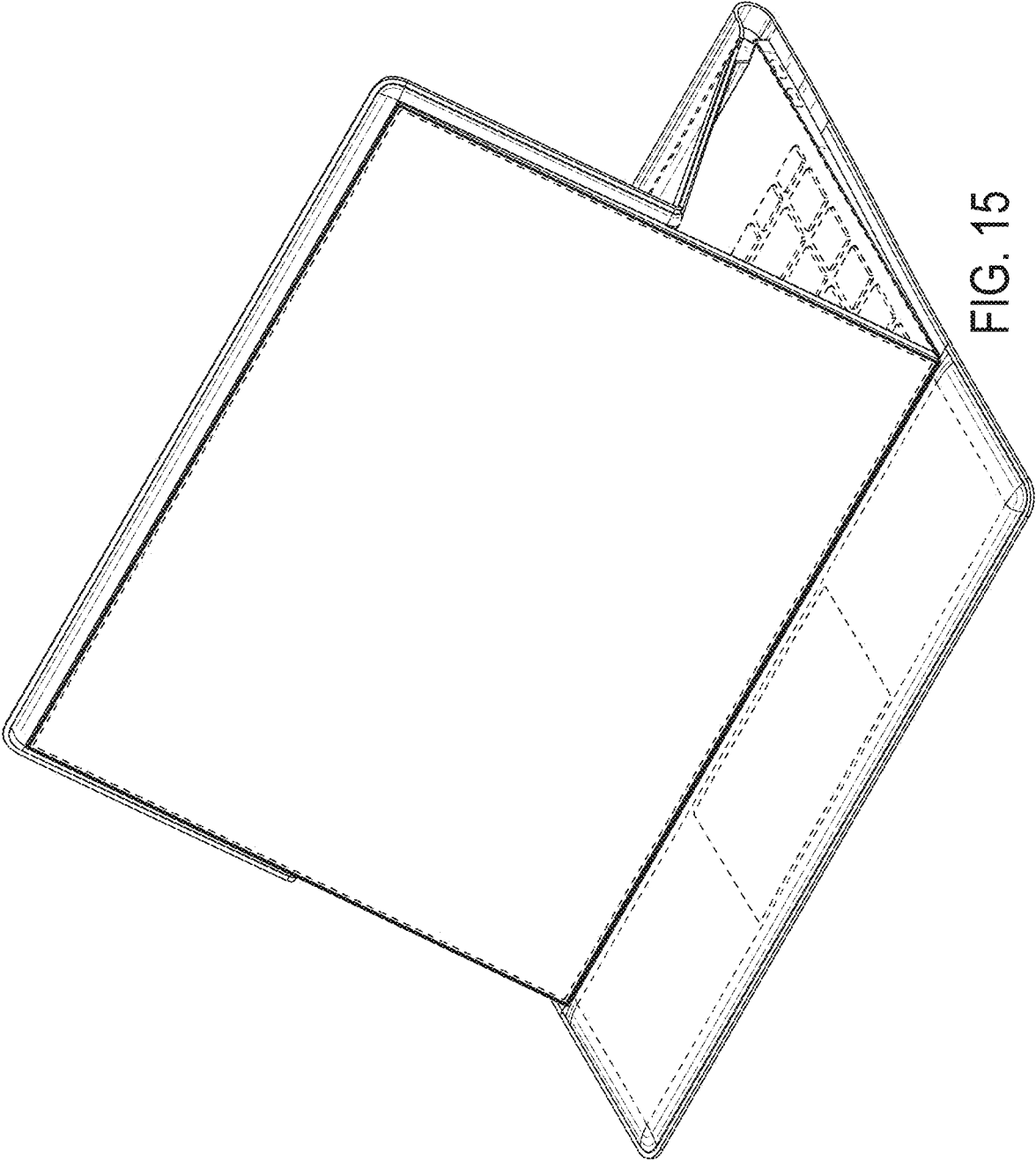


FIG. 15