



US00D358807S

# United States Patent [19]

[11] Patent Number: **Des. 358,807**

Ratcliffe et al.

[45] Date of Patent: **\*\* May 30, 1995**

## [54] COMPUTER TERMINAL

[75] Inventors: **Owen J. Ratcliffe, Sandhurst; John V. Panter, Wokingham, both of Great Britain; Henrik Otto; Karsten Eriksson, both of Stockholm, Sweden**

[73] Assignee: **International Computers Limited, London, United Kingdom**

[\*\*] Term: **14 Years**

[21] Appl. No.: **12,657**

[22] Filed: **Sep. 7, 1993**

### [30] Foreign Application Priority Data

Mar. 8, 1993 [SE] Sweden ..... 93-0565

[52] U.S. Cl. .... **D14/100**

[58] Field of Search ..... D14/100, 101, 106, 113, D14/115, 124-127, 204; D18/1, 7, 11, 12; 235/145 A, 145 R; 341/22, 23; 345/104, 156, 168, 173, 901-905, 87; 361/679-686; 364/708.1, 709.04, 709.09, 709.12; 400/486, 489; D16/202

## [56] References Cited

### U.S. PATENT DOCUMENTS

- D. 303,661 9/1989 Manabe et al. .... D14/113
- D. 303,790 10/1989 Kato et al. .... D14/106
- D. 317,912 7/1991 Takai ..... D14/113
- D. 338,000 8/1993 Aurigema ..... D14/115
- D. 343,168 1/1994 Morisaki et al. .... D14/106
- D. 344,933 3/1994 Wiseman et al. .... D14/113

*Primary Examiner*—Freda S. Nunn  
*Attorney, Agent, or Firm*—Lee, Mann, Smith, McWilliams, Sweeney & Ohlson

## [57] CLAIM

The ornamental design for a computer terminal, as shown and described.

## DESCRIPTION

FIG. 1 is a perspective view of a computer terminal according to the invention, illustrating the display module and computer module when docked on the base module, and with the keyboard in its operative position by the base module;

FIG. 2 is a perspective view similar to FIG. 1, but with the computer module undocked from the base module; FIG. 3 is a rear perspective view of the computer terminal illustrated in FIG. 1, with the undisclosed bottom views and side views of the base module and keyboard being plain;

FIG. 4 is a perspective view of the display module when removed from the base module being shown separately for clarity of illustration only;

FIG. 5 is a perspective view of the base module being shown separately for clarity of illustration only with the display module, computer module and keyboard being removed, and a video camera being shown at the top upright member of the base module and speakers being located at opposite ends of the transverse member upon which the display module is seated;

FIG. 6 is a perspective view of a variation of the keyboard shown in FIGS. 1-3 being shown separately for clarity of illustration only;

FIG. 7 is a perspective view of the keyboard shown in FIGS. 1-3;

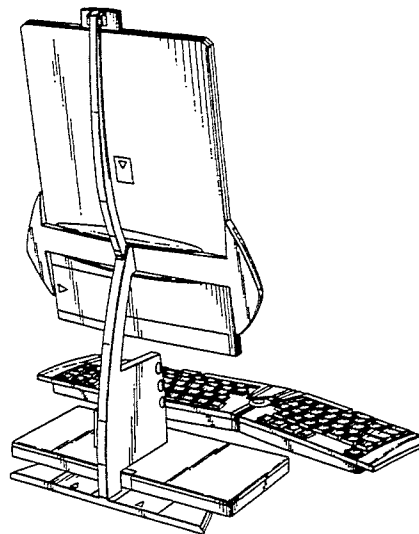
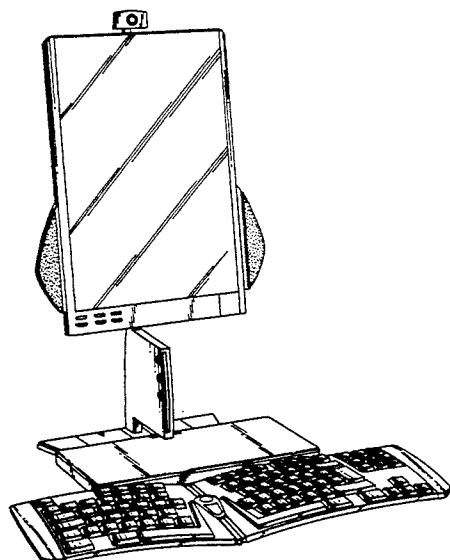
FIG. 8 is a perspective view of a variation of the keyboard shown in FIGS. 1-3;

FIG. 9 is a bottom and side perspective view of the computer module shown fully removed from the base module and shown separately for clarity of illustration only;

FIG. 10 is a perspective view similar to FIG. 9, but with the computer module shown upright and the screen opened; and,

FIG. 11 is a perspective view similar to FIG. 10, but with a computer screen elevated to an extended position.

FIGS. 4-11 are drawn on an enlarged scale.



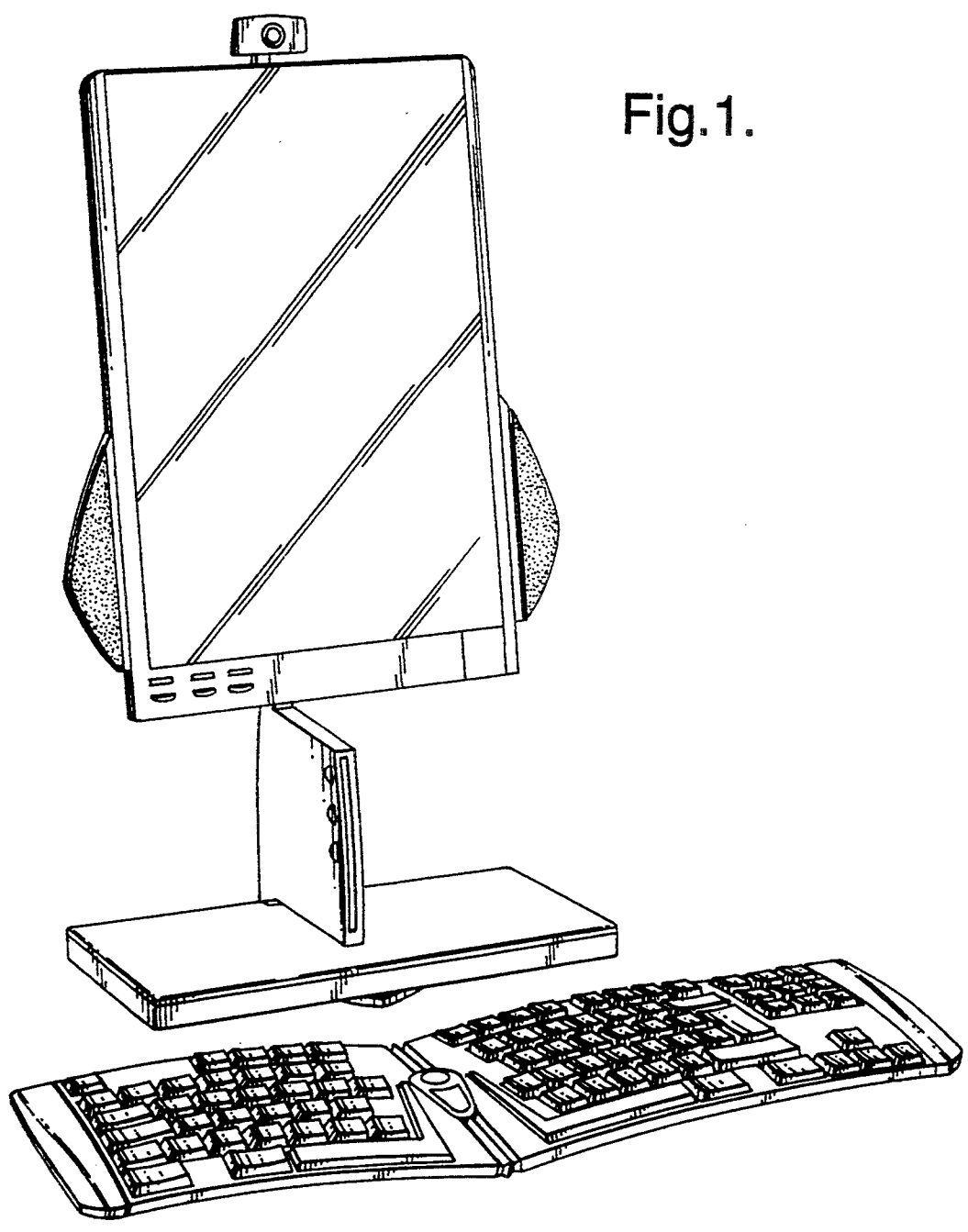
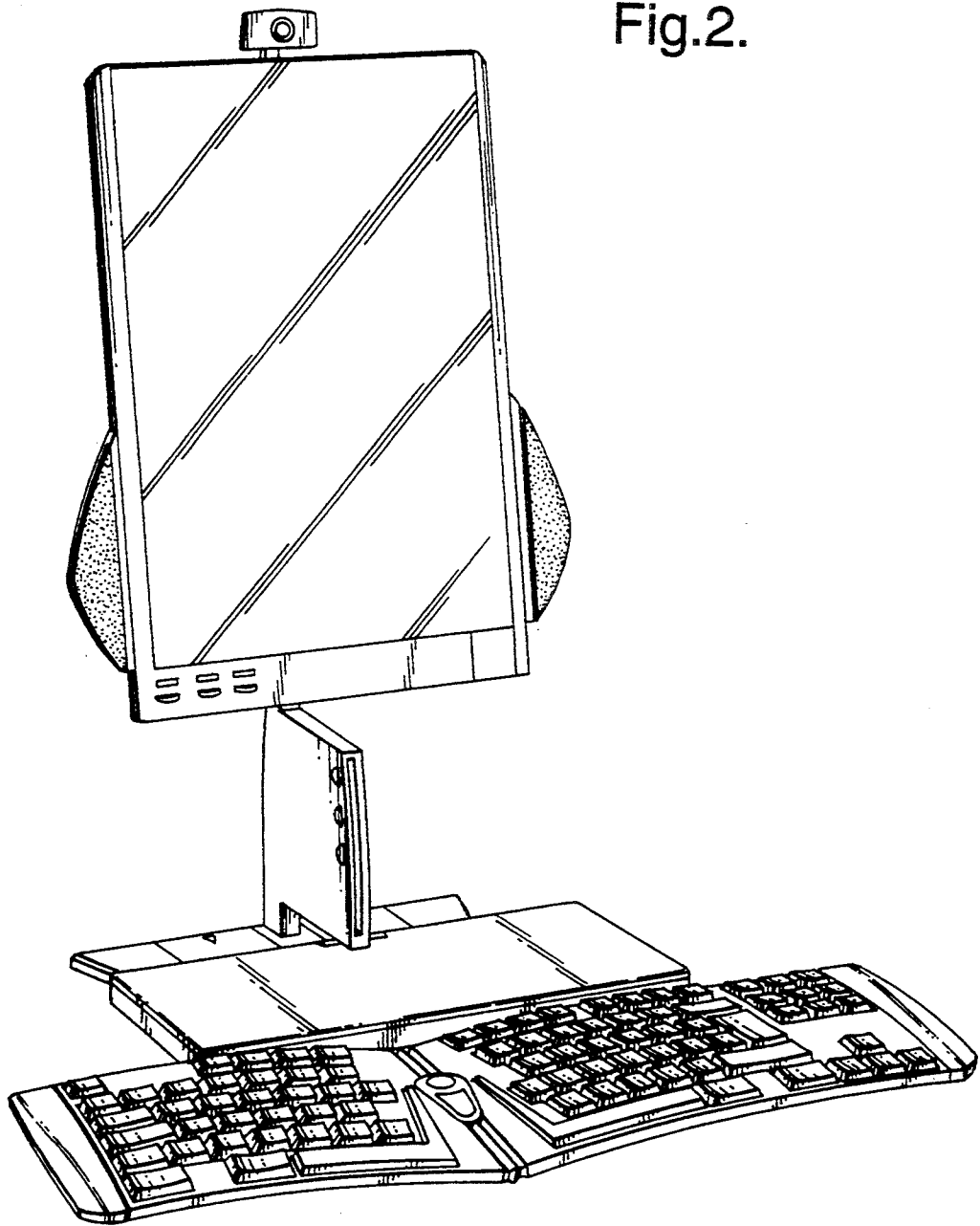


Fig.1.

Fig.2.



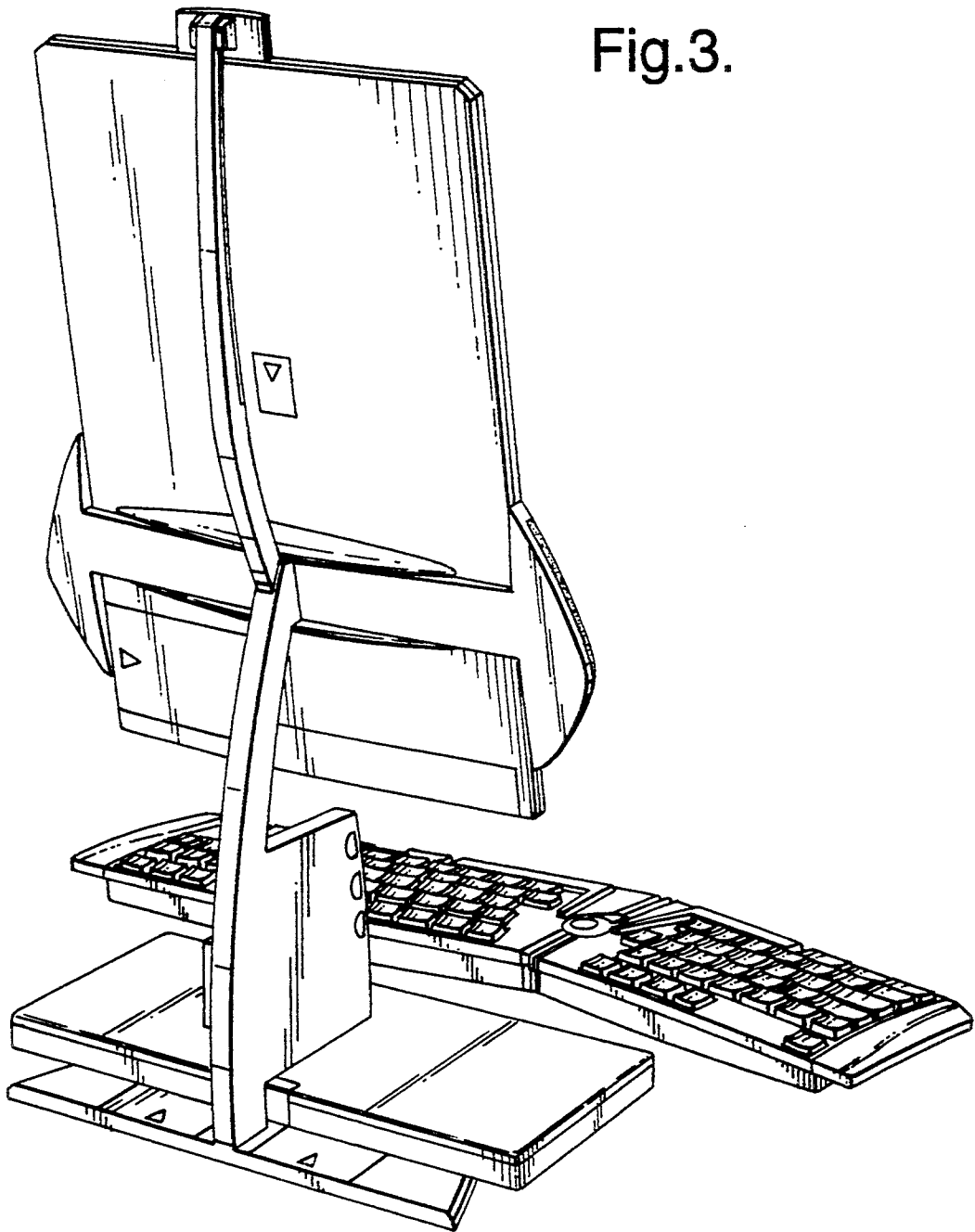


Fig.3.

Fig.4.

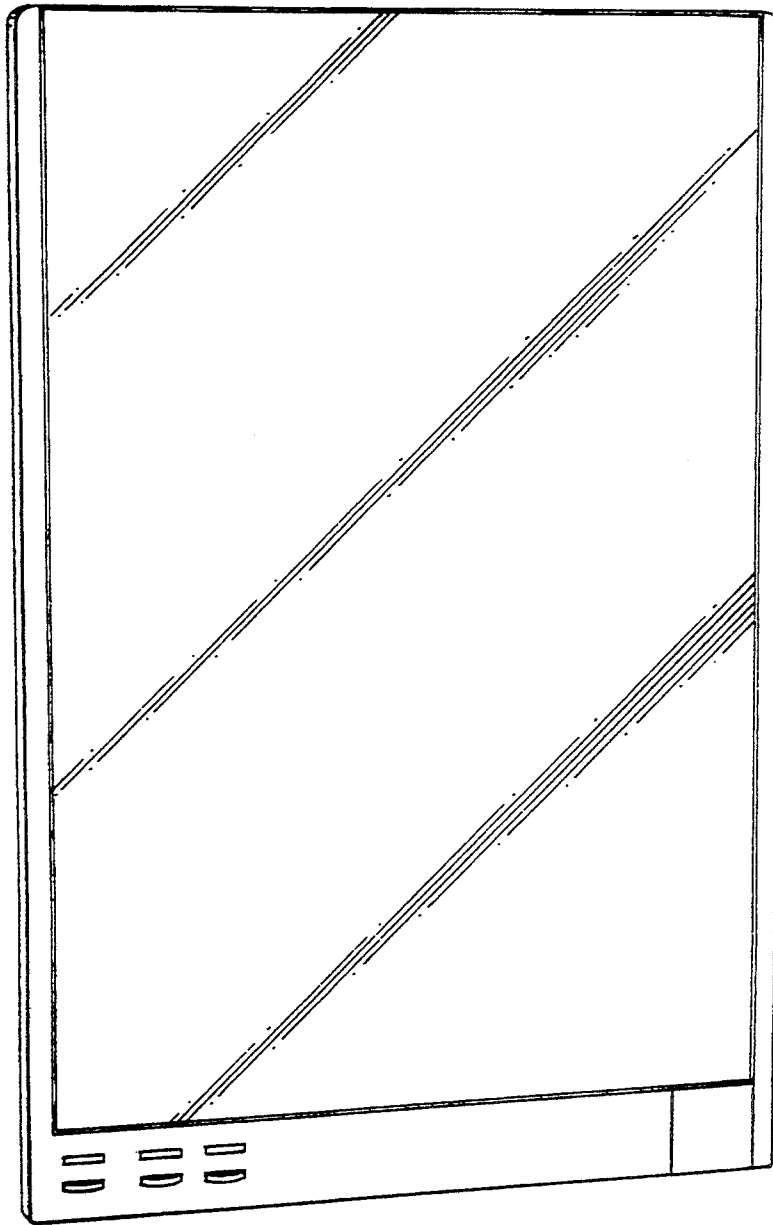
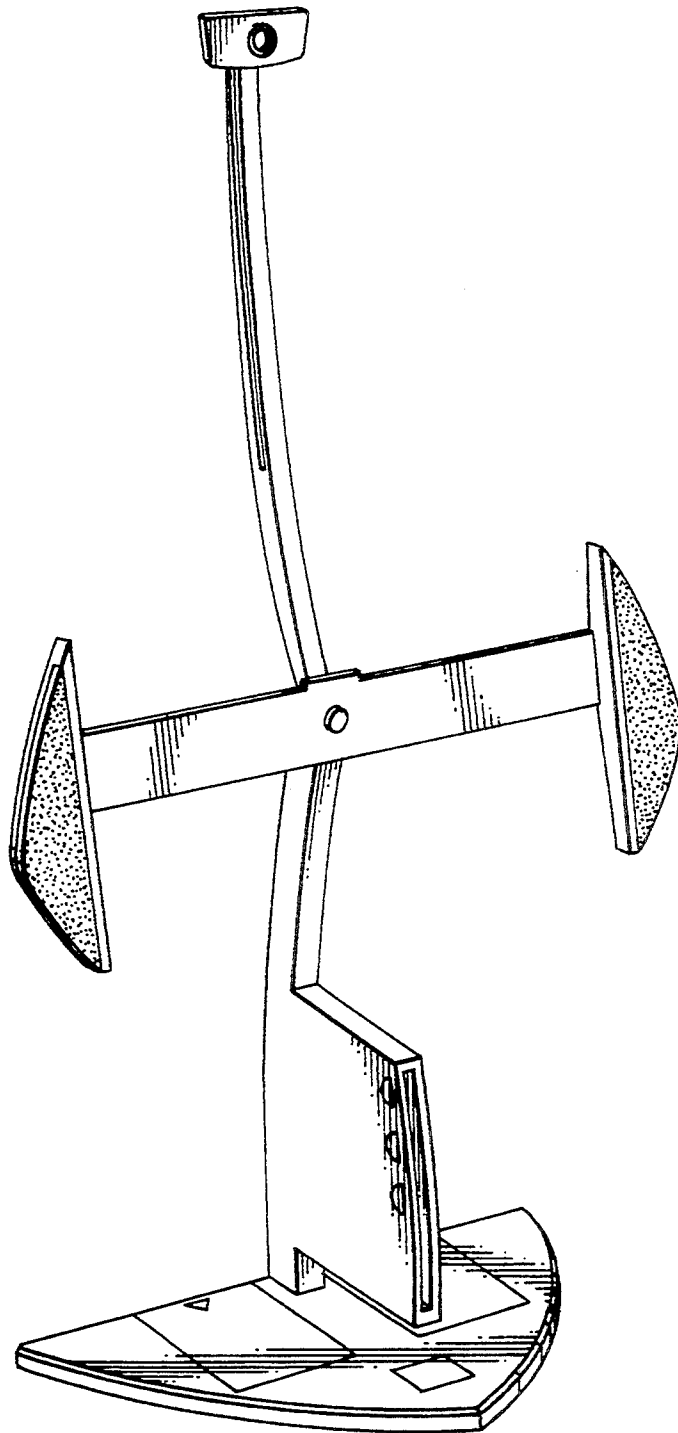


Fig.5.



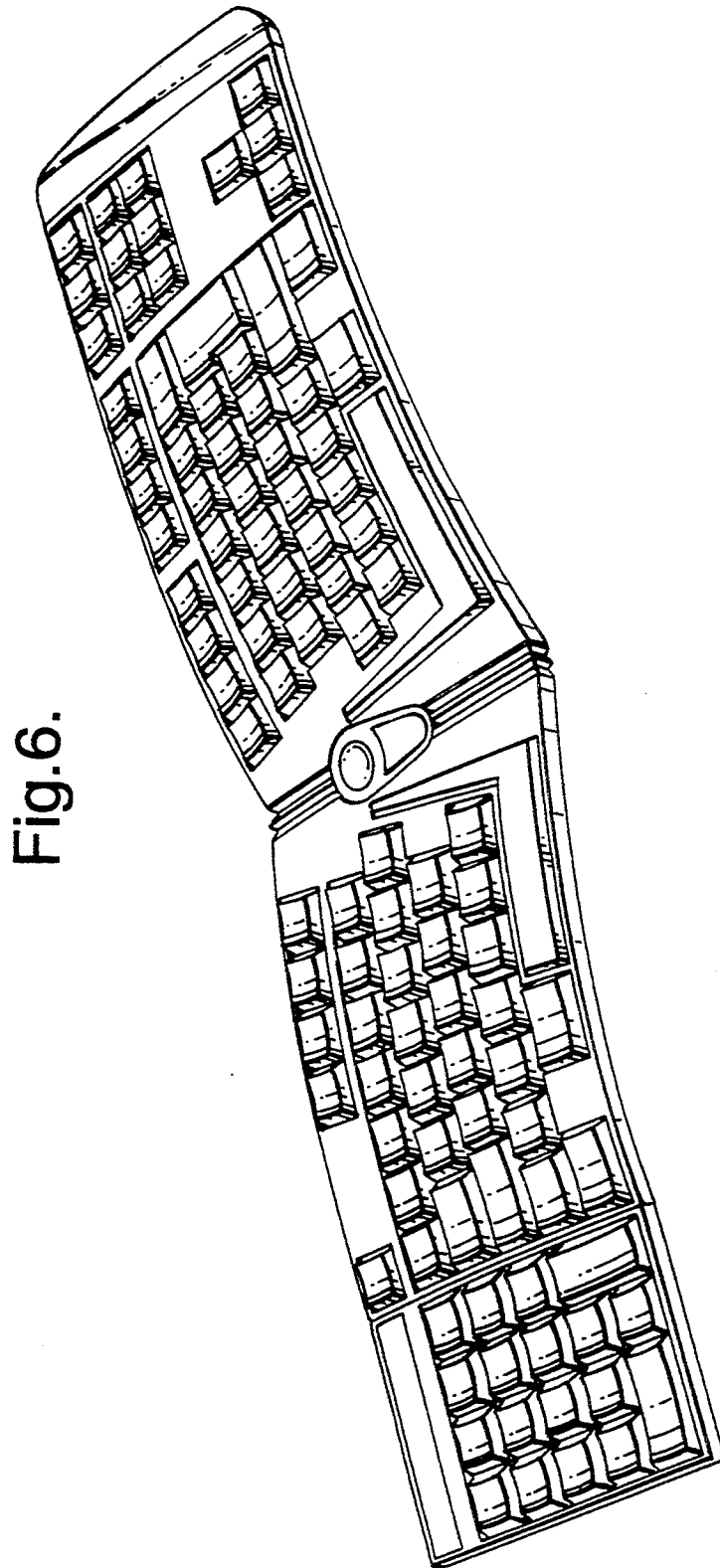


Fig. 6.

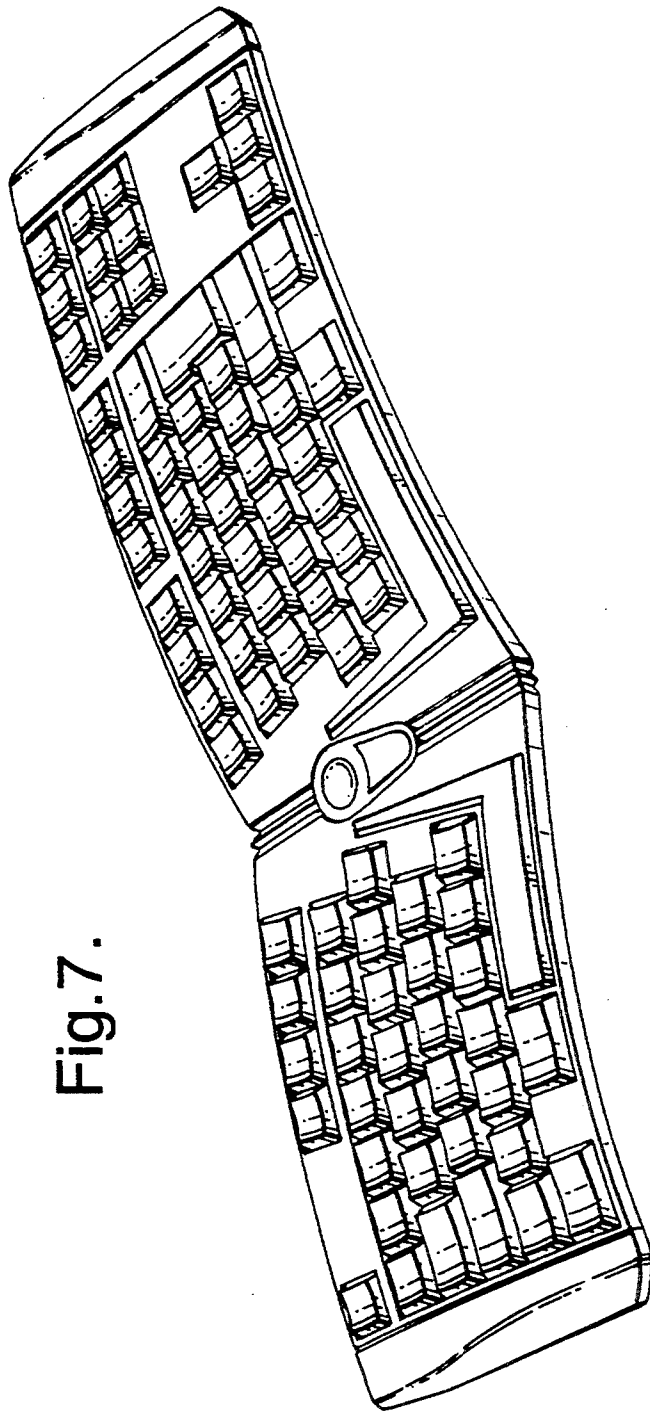


Fig. 7.



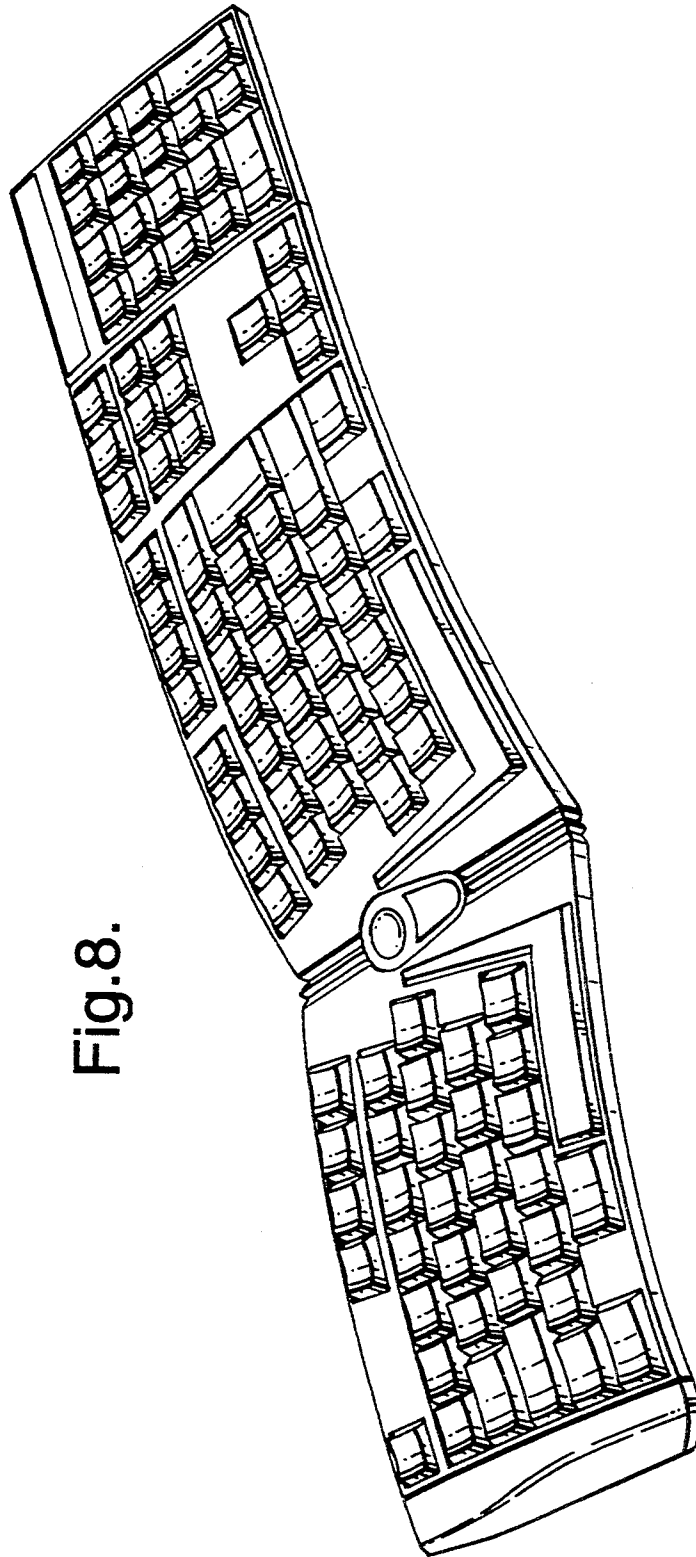


Fig.8.

Fig. 9.

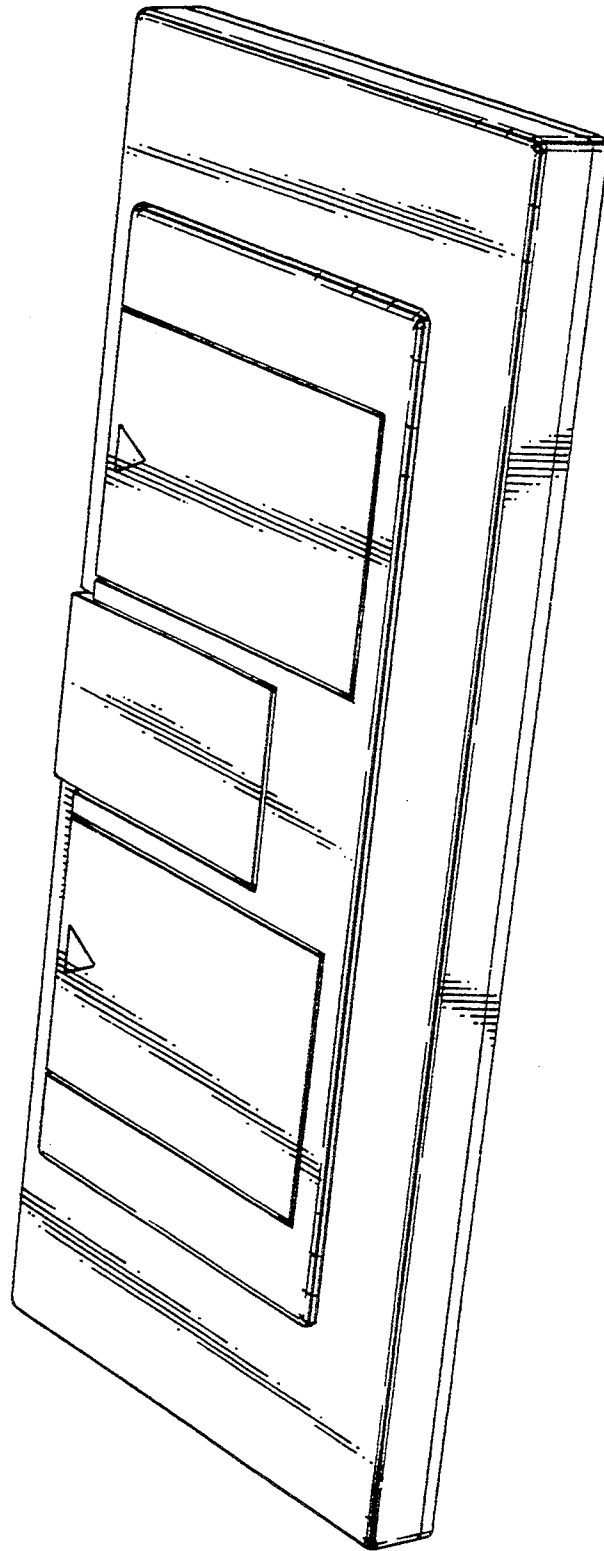


Fig.10.

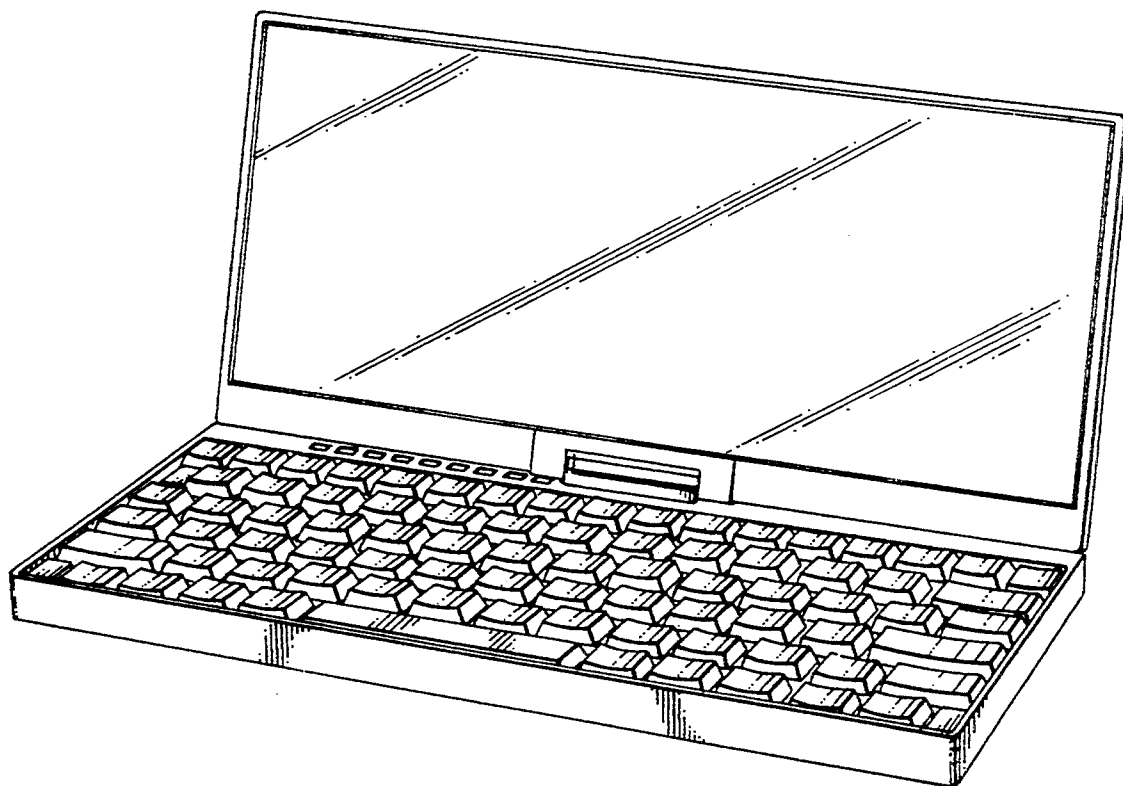


Fig.11.

