



US00D891436S

(12) **United States Design Patent**
Gundogan et al.

(10) **Patent No.:** **US D891,436 S**

(45) **Date of Patent:** **** Jul. 28, 2020**

(54) **INFORMATION HANDLING SYSTEM BEZEL**

(71) Applicant: **Dell Products L.P.**, Round Rock, TX (US)

(72) Inventors: **Ilhan C. Gundogan**, Lexington, MA (US); **Dave Boudreau**, Littleton, MA (US); **Sean P. O'Donnell**, Brookline, MA (US); **W. Brian Cunningham**, Westboro, MA (US)

(73) Assignee: **Dell Products L.P.**, Round Rock, TX (US)

(**) Term: **15 Years**

(21) Appl. No.: **29/660,444**

(22) Filed: **Aug. 21, 2018**

(51) **LOC (12) Cl.** **14-02**

(52) **U.S. Cl.**

USPC **D14/441**

(58) **Field of Classification Search**

USPC D14/353, 440-441, 444, 449-450;
D12/163, 170-171, 216;

(Continued)

(56) **References Cited**

U.S. PATENT DOCUMENTS

D213,043 S * 12/1968 Crepeau D25/69
3,821,463 A * 6/1974 Bakker H05K 9/0041
174/392

(Continued)

FOREIGN PATENT DOCUMENTS

KR 300562158.0000 * 5/2010
KR 300767854.0000 * 10/2014

OTHER PUBLICATIONS

Hexagonal Cell Honeycombs, Chris Taylor, emps.exeter.ac.uk, posted by University of Exeter on Oct. 25, 2012 © University of Exeter, online, site visited Dec. 28, 2019. Available from Internet, URL: <http://emps.exeter.ac.uk/engineering/research/materials-manufacturing/interests/multi-func/honeycombs/> (Year: 2012).*

(Continued)

Primary Examiner — Marissa J Cash

Assistant Examiner — Altaira J Swangin

(74) *Attorney, Agent, or Firm* — Zagorin Cave LLP;
Robert W. Holland

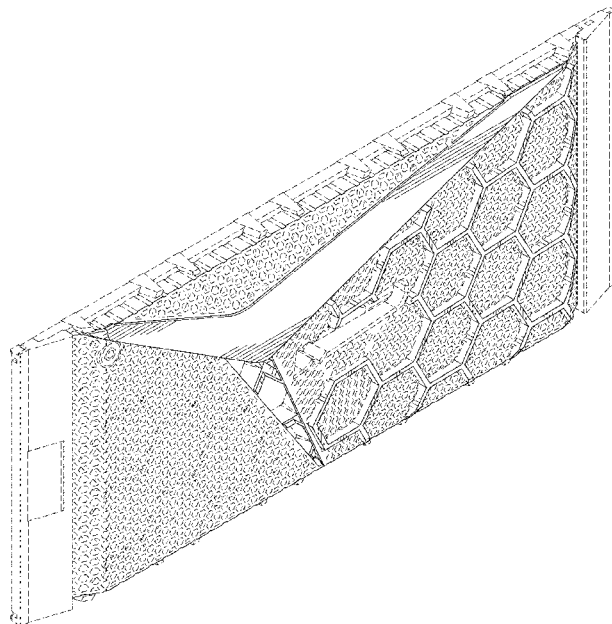
(57) **CLAIM**

We claim the ornamental design for an information handling system bezel, as shown and described.

DESCRIPTION

FIG. 1 is a top front left perspective view of the information handling system bezel comprising the present invention; FIG. 2 is a front view thereof; FIG. 3 is a rear view thereof; FIG. 4 is a right side view thereof; FIG. 5 is a left side view thereof; FIG. 6 is a top view thereof; FIG. 7 is a bottom view thereof; FIG. 8 is a top front right perspective view thereof; FIG. 9 is a bottom front right perspective view thereof; and, FIG. 10 is another top right perspective of the information handling system bezel of FIGS. 1-9, shown in use installed on an environment of an information handling system. Broken lines shown in the drawings illustrate portions of the information handling system bezel and form no part of the claimed design.

1 Claim, 8 Drawing Sheets



(58) **Field of Classification Search**

USPC D6/703.3-703.5; D23/381, 335;
 174/383-385, 390, 392, 394
 CPC . H05K 9/0041; H05K 9/00; Y10T 428/24149
 See application file for complete search history.

(56) **References Cited**

U.S. PATENT DOCUMENTS

- | | | | | |
|-------------------|---------|----------------|---------------------|----------|
| D288,085 S * | 2/1987 | Nagano | | D12/163 |
| D291,294 S * | 8/1987 | Soma | | D12/163 |
| D293,230 S * | 12/1987 | Kawaoka | | D12/163 |
| 4,720,770 A * | 1/1988 | Jameson | H01L 23/49811 | |
| | | | 361/705 | |
| 5,614,694 A * | 3/1997 | Gorenz, Jr. | H05K 9/0026 | |
| | | | 174/375 | |
| 6,211,458 B1 * | 4/2001 | Mitchell | H05K 9/0041 | |
| | | | 174/383 | |
| 6,252,161 B1 * | 6/2001 | Hailey | H05K 9/0041 | |
| | | | 174/383 | |
| 6,297,446 B1 * | 10/2001 | Cherniski | H05K 9/0041 | |
| | | | 174/383 | |
| 6,567,276 B2 * | 5/2003 | Kopf | G11B 33/14 | |
| | | | 174/383 | |
| 6,610,922 B1 * | 8/2003 | Twiss | H05K 9/0041 | |
| | | | 174/390 | |
| D493,465 S * | 7/2004 | Dearborn | | D14/432 |
| 7,038,124 B1 * | 5/2006 | Sosnowski | H05K 9/0041 | |
| | | | 174/377 | |
| D539,194 S * | 3/2007 | Moses | | D12/163 |
| 7,199,310 B2 * | 4/2007 | Cochrane | G06F 1/182 | |
| | | | 174/377 | |
| D574,001 S * | 7/2008 | Zhou | | D14/444 |
| D611,617 S * | 3/2010 | Heggland | | D25/69 |
| D616,230 S * | 5/2010 | Leeds | | D6/703.4 |
| D670,619 S * | 11/2012 | Frei | | D12/163 |
| 8,373,076 B2 * | 2/2013 | Cao | H05K 9/0037 | |
| | | | 174/382 | |
| D685,785 S * | 7/2013 | Seoc | | D14/353 |
| D690,705 S * | 10/2013 | Mueller | | D14/441 |
| D690,706 S * | 10/2013 | Mueller | | D14/441 |
| D714,296 S * | 9/2014 | Fujioka | | D14/440 |
| D724,079 S * | 3/2015 | Probst | | D14/348 |
| D728,773 S * | 5/2015 | van Haaster | | D23/393 |
| D730,913 S * | 6/2015 | Shao | | D14/440 |
| D743,850 S * | 11/2015 | Howell | | D12/163 |
| D746,185 S * | 12/2015 | Curic | | D12/163 |
| D746,186 S * | 12/2015 | Curic | | D12/163 |
| D751,013 S * | 3/2016 | Curic | | D12/163 |
| D753,029 S * | 4/2016 | Talsma | | D12/163 |
| D763,245 S * | 8/2016 | Jasinski | | D14/300 |
| D770,458 S * | 11/2016 | Corcoran | | D14/440 |
| D786,152 S * | 5/2017 | Wotton | | D12/163 |
| D790,412 S * | 6/2017 | Dunford | | D12/163 |
| D800,622 S * | 10/2017 | Ito | | D12/203 |
| D803,224 S * | 11/2017 | Besterman | | D14/441 |
| D804,467 S * | 12/2017 | Probst | | D14/315 |
| D806,082 S * | 12/2017 | Armstrong | | D14/440 |
| D806,697 S * | 1/2018 | McClelland | | D14/301 |
| D822,029 S * | 7/2018 | Crisp | | D14/445 |
| D830,239 S * | 10/2018 | Behmer | | D12/163 |
| D830,243 S * | 10/2018 | Gueler | | D12/163 |
| D832,269 S * | 10/2018 | Cheng | | D14/440 |
| D836,042 S * | 12/2018 | Yang | | D12/163 |
| D837,106 S * | 1/2019 | Yang | | D12/163 |
| D837,107 S * | 1/2019 | Yang | | D12/163 |
| D851,648 S * | 6/2019 | Tan | | D14/440 |
| 10,324,503 B1 * | 6/2019 | O'Donnell | G06F 1/182 | |
| D853,898 S * | 7/2019 | Bucher | | D12/163 |
| D857,022 S * | 8/2019 | Tur | | D14/440 |
| D867,230 S * | 11/2019 | Basmanov | | D12/163 |
| D868,789 S * | 12/2019 | Weng | | D14/440 |
| D868,791 S * | 12/2019 | Weng | | D14/440 |
| D869,353 S * | 12/2019 | Palovaara | | D12/163 |
| 2002/0185294 A1 * | 12/2002 | Shlyakhtichman | .. H05K 9/0032 | |
| | | | 174/384 | |
| 2003/0062179 A1 * | 4/2003 | West | H05K 9/0032 | |
| | | | 174/382 | |
| 2015/0060130 A1 * | 3/2015 | Finneran | H05K 9/0041 | |
| | | | 174/383 | |
| 2015/0060131 A1 * | 3/2015 | Coppola | H05K 9/0041 | |
| | | | 174/383 | |

OTHER PUBLICATIONS

PowerOne Autonomous Infrastructure, Dell EMC, ellemc.com, author not listed, posted on Nov. 18, 2019 per wayback machine © 2019 Dell, online, site visited Dec. 28, 2019. Available from Internet, URL: <https://www.dellemc.com/en-us/converged-infrastructure/powerone.htm> (Year: 2019).*

Dell, "Dell EMC Data Domain DD3300 Data Protection," downloaded from <https://shop.dellemc.com/en-us/Product-Family/DATA-DOMAIN-PRODUCTS/Dell-EMC-Data-Domain-DD3300-Data-Protection/p/DellEMC-Data-Doma...> Aug. 14, 2018, 6 pages.

Dell EMC, "Vmax All Flash Family," downloaded from <https://www.emc.com/collateral/specification-sheet/h16051...> Aug. 14, 2018, 7 pages.

Dell EMC, "Dell EMC Isilon Scale-Out Network Attached Storage (NAS)," downloaded from <https://www.dellemc.com/en-us/storage/isilon/index.htm?cid=316172...> Aug. 14, 2018, 9 pages.

Dell EMC, "Dell EMC Xtremio," downloaded from <https://www.dellemc.com/en-us/storage/xtremio-all-flash.htm?cid=316172...> Aug. 24, 2018, 6 pages.

* cited by examiner

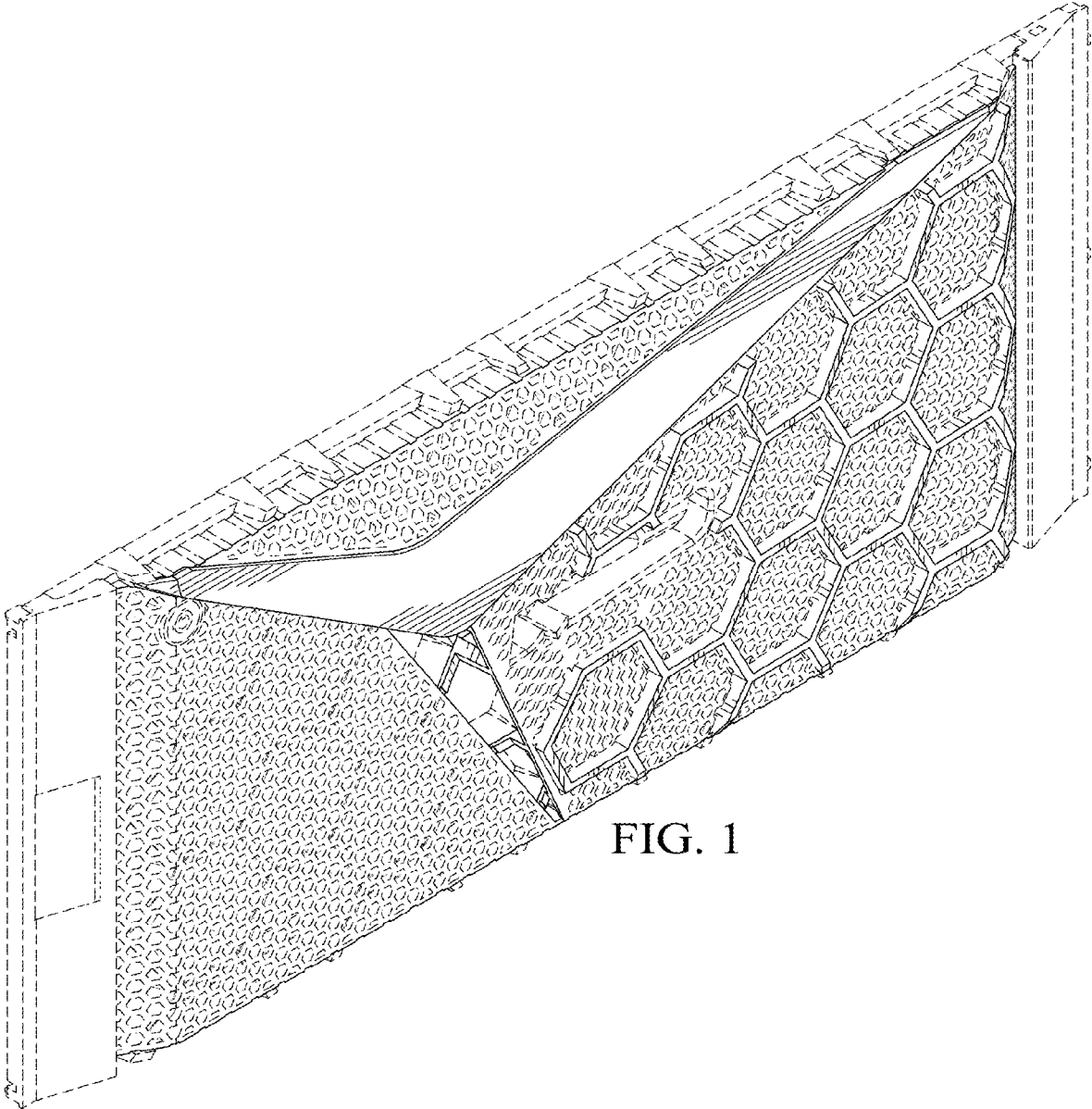


FIG. 1

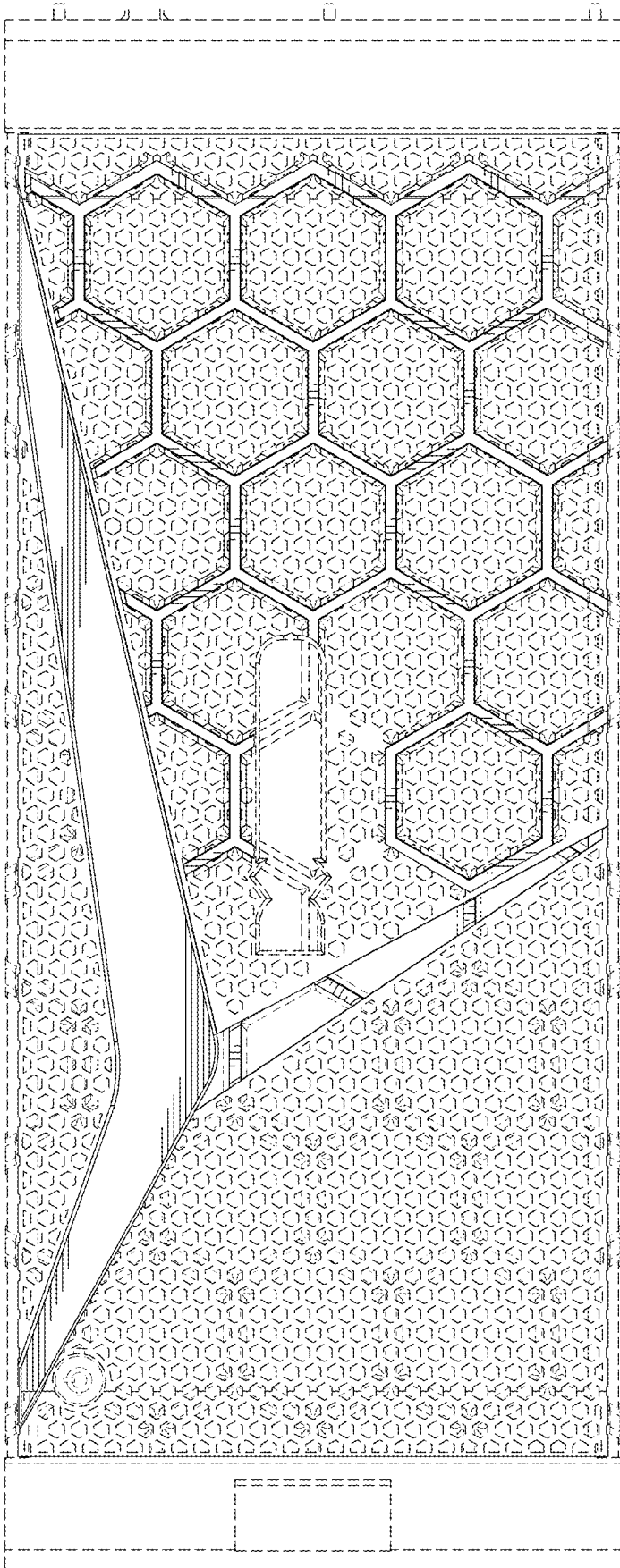


FIG. 2

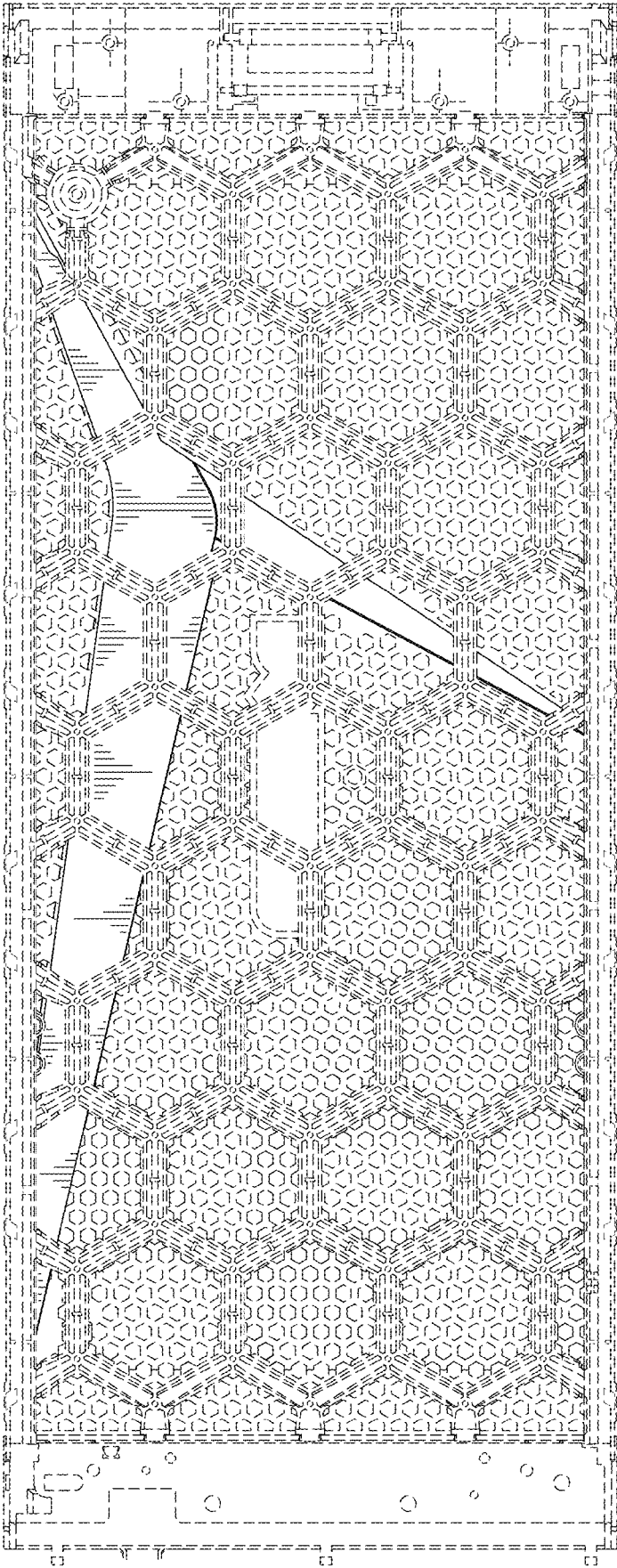


FIG. 3

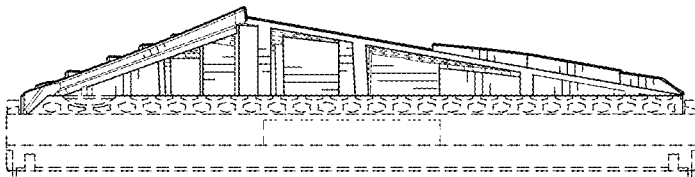


FIG. 5

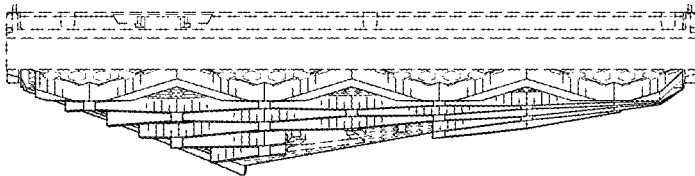


FIG. 4

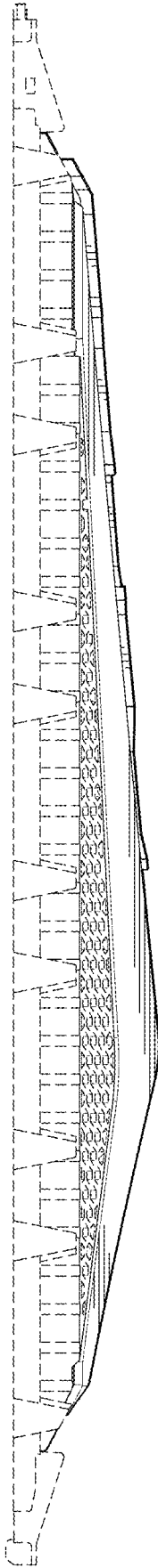


FIG. 6

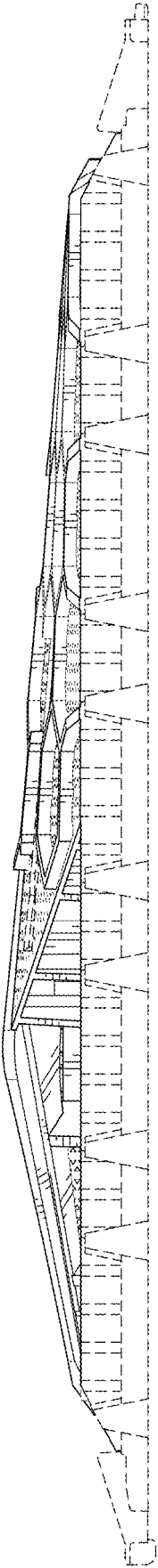


FIG. 7

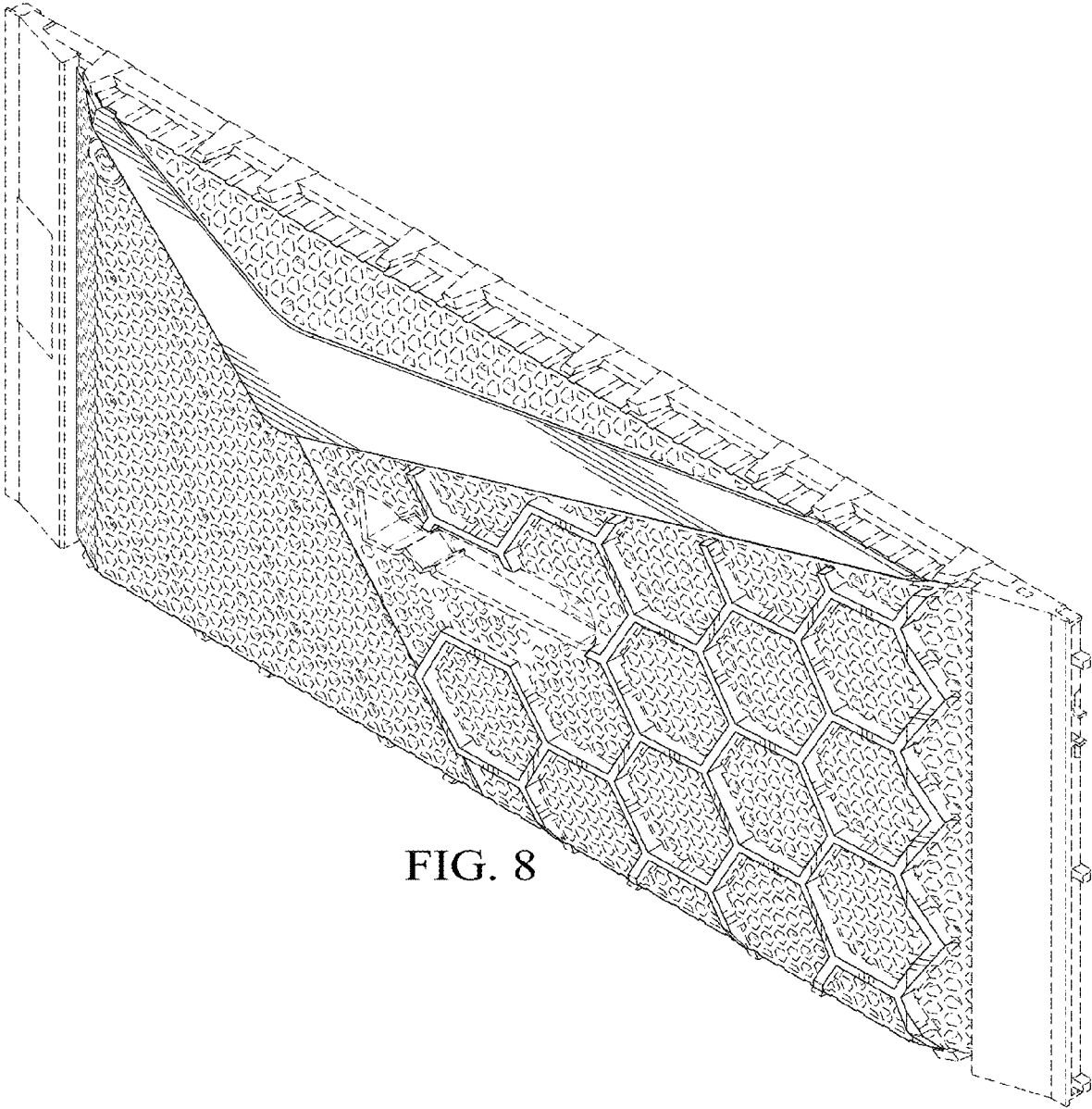


FIG. 8

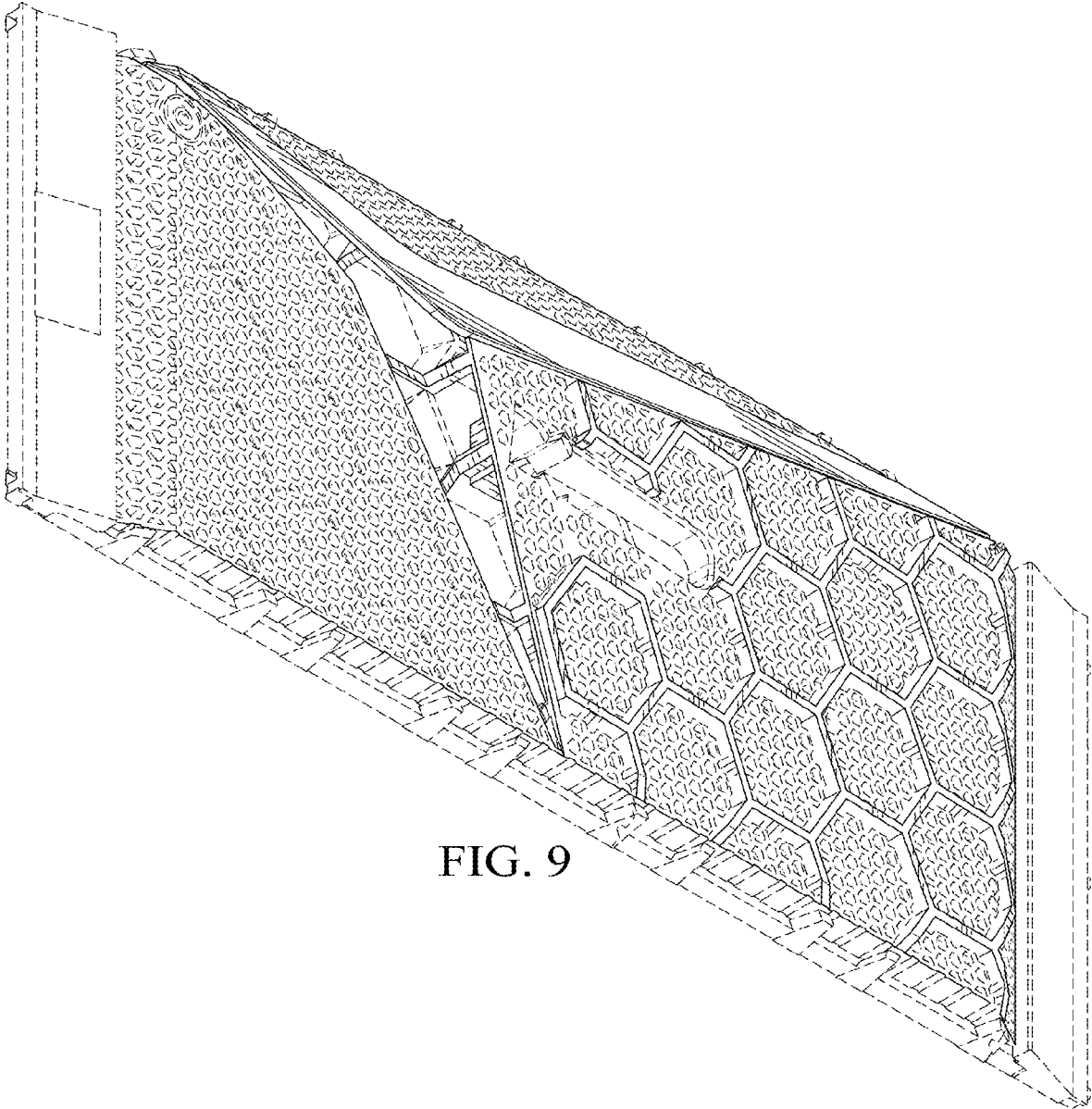


FIG. 9

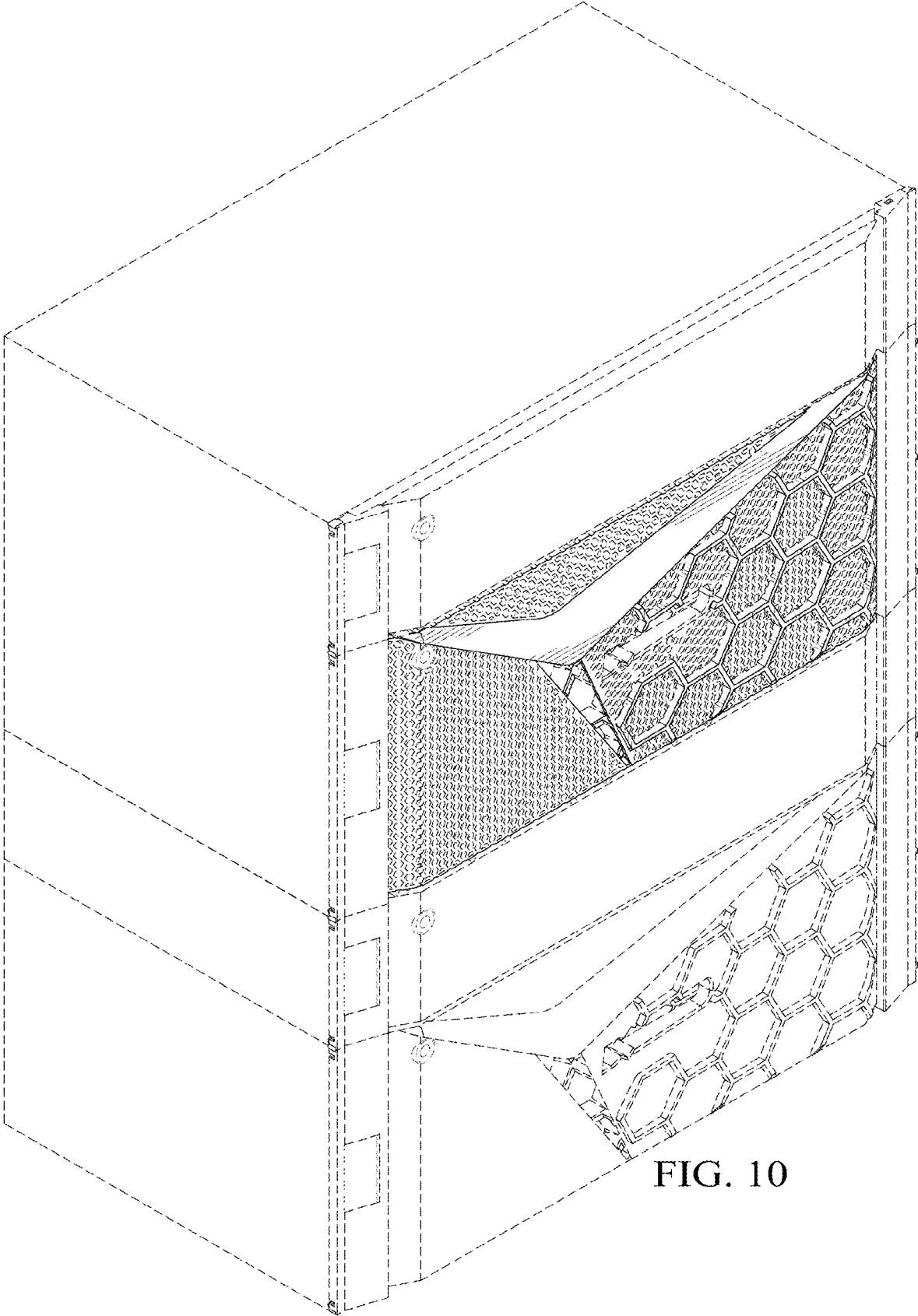


FIG. 10