



(12) **United States Design Patent**
Tiemann

(10) **Patent No.:** **US D1,034,199 S**
(45) **Date of Patent:** **** Jul. 9, 2024**

- (54) **CONTAINER**
- (71) Applicant: **Owens-Brockway Glass Container Inc.**, Perrysburg, OH (US)
- (72) Inventor: **Nils Tiemann**, Essen (DE)
- (73) Assignee: **Owens-Brockway Glass Container Inc.**, Perrysburg, OH (US)
- (**) Term: **15 Years**

D217,587 S	5/1970	Douglas	
D268,896 S	5/1983	Sledge	
D268,906 S	5/1983	Sledge	
D268,907 S	5/1983	Sledge	
D308,484 S *	6/1990	Browton	D9/552
D404,311 S *	1/1999	Zimmer	D9/552
D443,828 S *	6/2001	Meeker	D9/540
D447,698 S *	9/2001	Kaufman	D9/551
D462,618 S	9/2002	Meeker et al.	
D462,620 S *	9/2002	Ashby	D9/551
D466,023 S *	11/2002	Eickmeier	D9/552

(Continued)

Primary Examiner — Brett Miller
Assistant Examiner — Rani J Abdallah

- (21) Appl. No.: **29/838,215**
- (22) Filed: **May 11, 2022**
- (51) **LOC (14) Cl.** **09-01**
- (52) **U.S. Cl.**
USPC **D9/516; D9/552**
- (58) **Field of Classification Search**
USPC D9/414, 418, 428, 500–505, 516, 529,
D9/530, 537–540, 544–546, 547,
D9/549–552, 554, 556–558, 562, 563,
D9/569, 575, 630, 651, 652, 661, 669,
D9/692, 738, 739, 741, 744, 746, 772,
D9/774, 780; D7/412, 417, 601, 602,
D7/608, 612, 679; D99/5; D26/9, 22;
D3/200; D28/88
CPC B65D 50/041; B65D 1/165; B65D
2543/00092; B65D 1/0276; B65D 51/20;
B65D 11/16; B65D 2251/0015; A45D
40/0068
See application file for complete search history.

(57) **CLAIM**

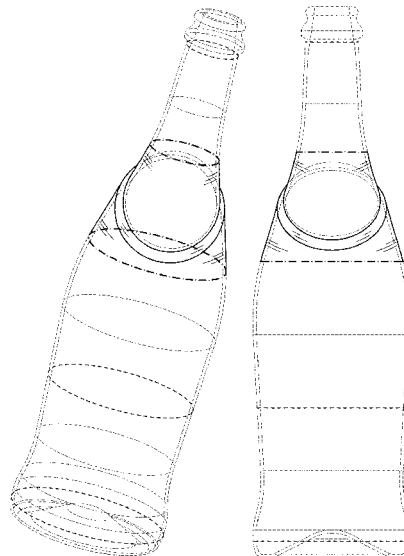
I claim an ornamental design for a container, as shown and described.

DESCRIPTION

FIG. 1 is an upper perspective view of a container in accordance with my new claimed design.
 FIG. 2 is an elevational front view of the container in FIG. 1.
 FIG. 3 is an elevational right side view of the container in FIG. 1.
 FIG. 4 is an elevational rear view of the container in FIG. 1.
 FIG. 5 is an elevational left side view of the container in FIG. 1.
 FIG. 6 is an enlarged top view of the container in FIG. 1, as viewed from above the container from FIG. 3; and,
 FIG. 7 is an enlarged bottom view of the container in FIG. 1.
 Dash-dash broken lines shown in the drawings illustrate portions of the container that form no part of the claimed design.
 Dash-dot broken lines shown in the drawings represent boundaries of the claimed design and form no part of the claimed design.

1 Claim, 3 Drawing Sheets

- (56) **References Cited**
U.S. PATENT DOCUMENTS
D63,968 S * 2/1924 Sears D9/550
D63,969 S * 2/1924 Hires, Jr. D9/550
D74,499 S * 2/1928 Ginter D9/552
D99,839 S * 5/1936 Hires, Jr. D9/552
D179,173 S * 11/1956 Wilson D9/552
D189,508 S * 12/1960 Marder D9/552



(56)

References Cited

U.S. PATENT DOCUMENTS

D466,415 S *	12/2002	Reis	D9/552	D696,115 S *	12/2013	Smith	D9/551
D494,854 S *	8/2004	Matauch	D9/551	D706,635 S *	6/2014	Lonsway	D9/559
D510,025 S *	9/2005	Venkataraman	D9/516	D712,270 S *	9/2014	Maquita Nakano	D9/551
D510,271 S *	10/2005	Mero	D9/558	D719,031 S	12/2014	Teitelbaum et al.	
D525,132 S *	7/2006	Todd	D9/516	D722,886 S *	2/2015	Del Bon	D9/552
D553,504 S *	10/2007	Goto	D9/556	D723,923 S *	3/2015	Smith	D9/500
D557,611 S	12/2007	Ingemarsson		D724,947 S *	3/2015	Smith	D9/500
D558,055 S	12/2007	Ingemarsson		D728,374 S *	5/2015	Doerr	D9/552
D558,582 S *	1/2008	Venkataraman	D9/552	D738,736 S *	9/2015	Eaton	D9/540
D572,134 S	7/2008	Bourne		D740,119 S *	10/2015	Smith	D9/500
D573,477 S	7/2008	Caldwell		D741,179 S *	10/2015	Higareda	D9/551
D584,628 S *	1/2009	Lepoitevin	B65D 23/102	D741,180 S *	10/2015	Higareda	D9/551
			D9/540	D745,406 S *	12/2015	Lovegrove	D9/545
D624,430 S *	9/2010	Guarinoni	D9/549	D748,984 S *	2/2016	Andersson	D9/575
D643,735 S *	8/2011	Sherwood	D9/554	D772,717 S *	11/2016	Peacock	D9/552
D645,357 S	9/2011	Dumas		D782,913 S *	4/2017	Winkels	D9/545
D661,586 S	6/2012	Renieris		D788,899 S *	6/2017	Valentino	D9/558
D676,753 S	2/2013	Badziong		D791,603 S *	7/2017	Veysiere	D9/544
D676,755 S *	2/2013	Hein	D9/575	D791,604 S *	7/2017	Veysiere	D9/545
D682,703 S	5/2013	Martin		D865,528 S	11/2019	Barnier et al.	
D683,229 S	5/2013	Crawford et al.		D909,208 S	2/2021	Rios	
D683,230 S	5/2013	Crawford		D917,294 S *	4/2021	Alima	D9/552
D694,632 S *	12/2013	Floyd	D9/516	D934,082 S *	10/2021	Zanetti	D9/554
				D979,419 S *	2/2023	Jackson, III	D9/552
				D1,013,520 S *	2/2024	Baldassar	D9/540

* cited by examiner

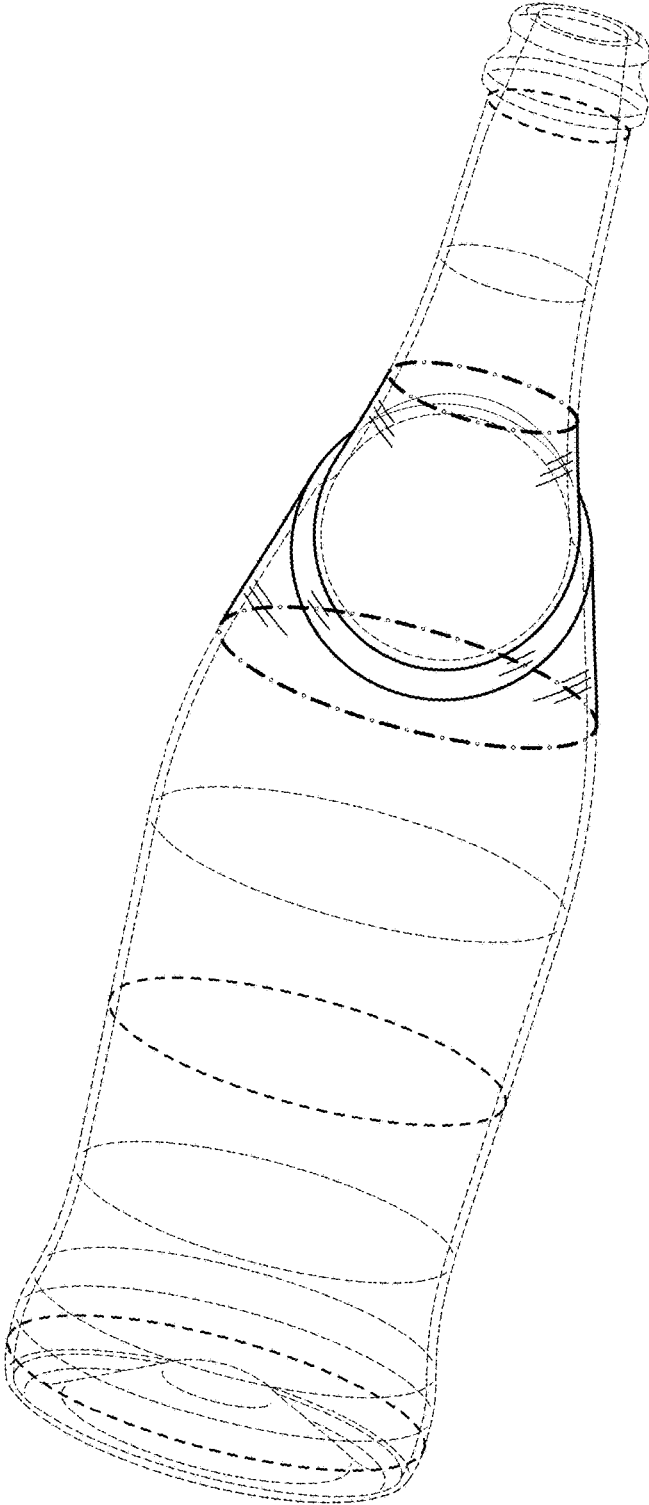


FIG. 1

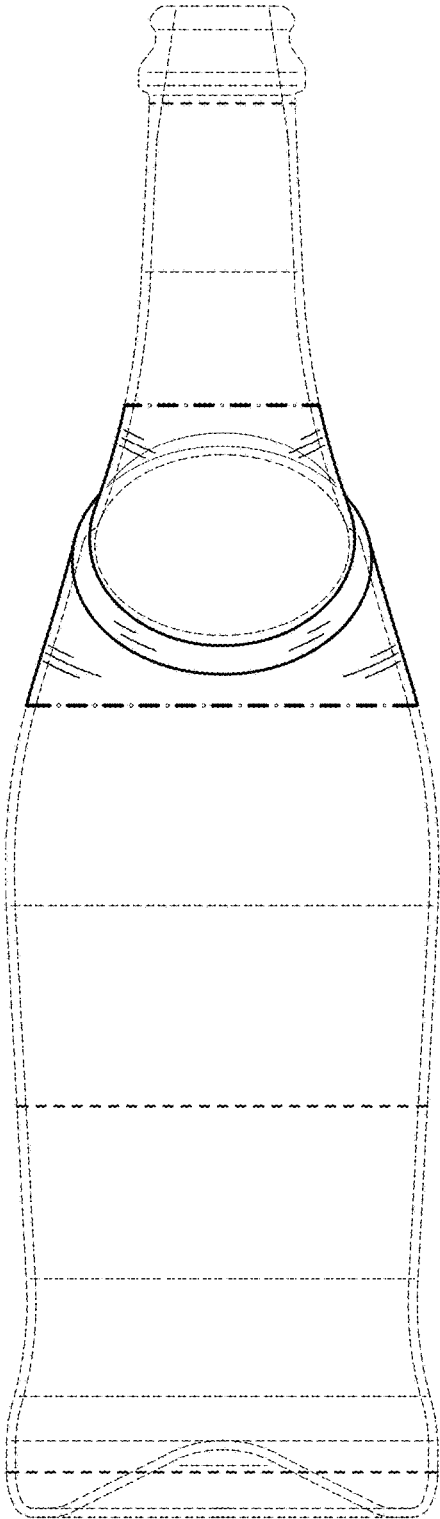


FIG. 2

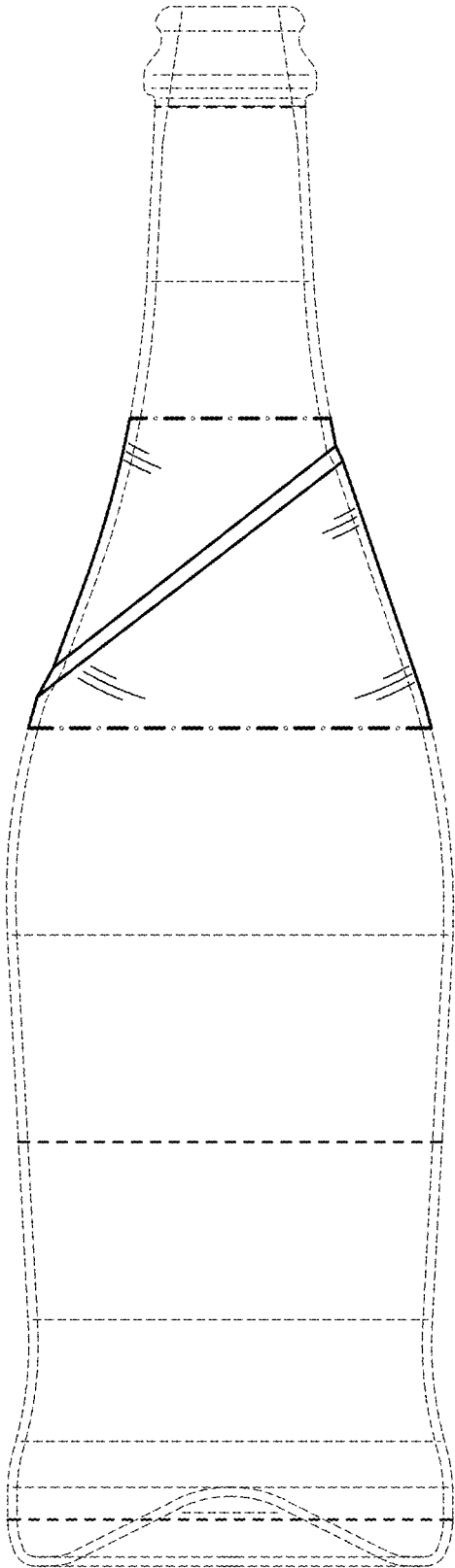


FIG. 3

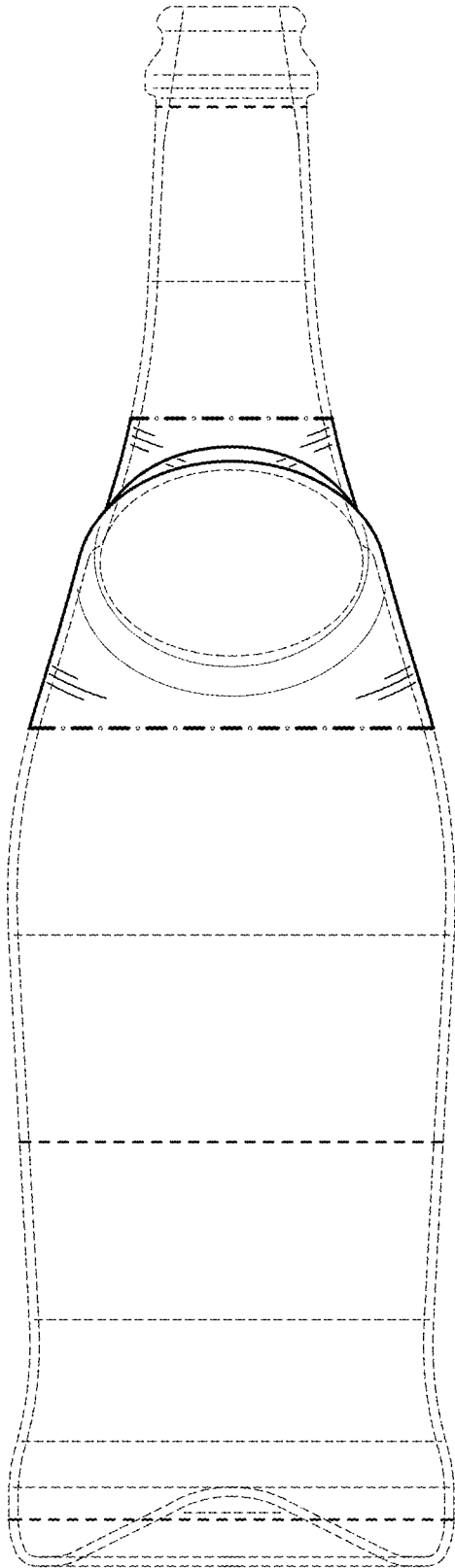


FIG. 4

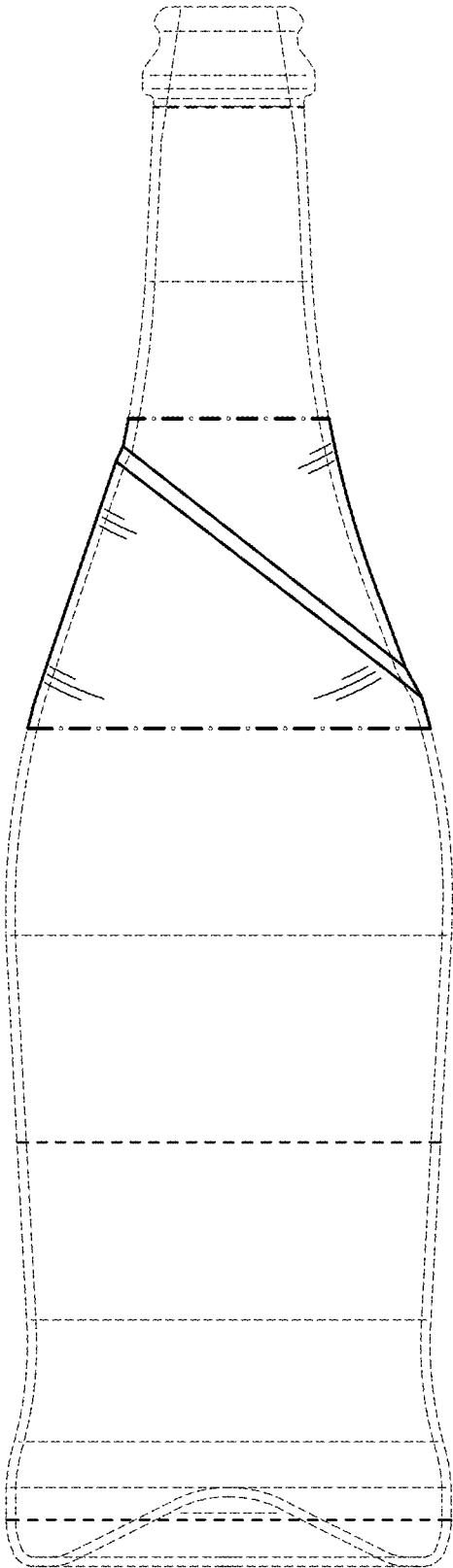


FIG. 5

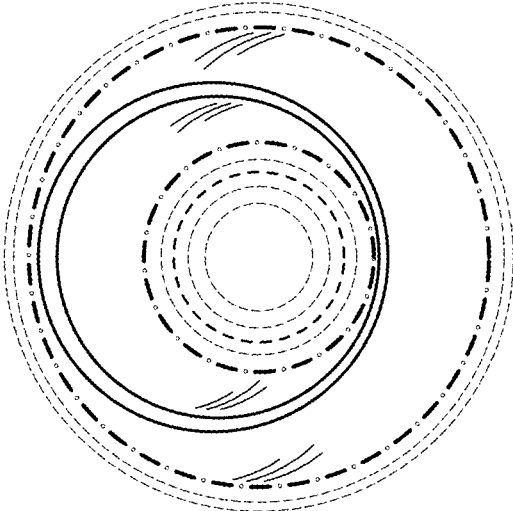


FIG. 6

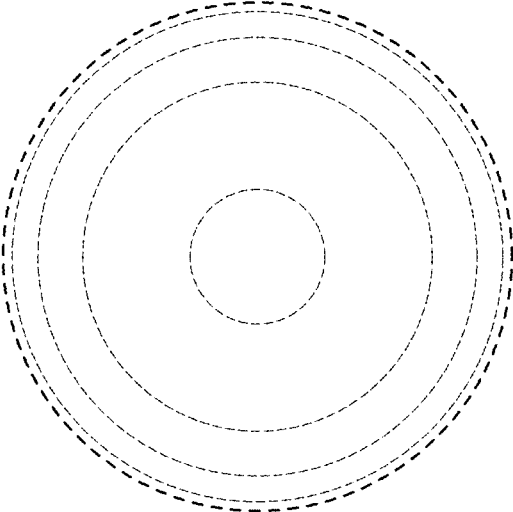


FIG. 7