



US00D856898S

(12) **United States Design Patent**
Evulet

(10) **Patent No.:** **US D856,898 S**

(45) **Date of Patent:** **** Aug. 20, 2019**

(54) **AIRFRAME FOR AN UNMANNED AERIAL VEHICLE**

(71) Applicant: **JETOPTERA, INC.**, Edmonds, WA (US)

(72) Inventor: **Andrei Evulet**, Edmonds, WA (US)

(73) Assignee: **Jetoptera, Inc.**, Edmonds, WA (US)

(**) Term: **15 Years**

(21) Appl. No.: **29/625,614**

(22) Filed: **Nov. 10, 2017**

(51) **LOC (12) Cl.** **12-07**

(52) **U.S. Cl.**
USPC **D12/335**

(58) **Field of Classification Search**
USPC D12/319-345, 1-4, 16.1, 214;
D21/436-454; D30/160
CPC B64C 29/0025; B64C 2201/108; B64C
2201/048; B64C 2201/088; B64C 29/00;
B64C 29/0058; B64C 39/001; B64C
39/024; B64C 39/062; B64C 2201/141;
B64C 27/12

See application file for complete search history.

(56) **References Cited**

U.S. PATENT DOCUMENTS

D82,314 S *	10/1930	Christmas	D12/335
D91,444 S *	1/1934	Shelton	D12/335
D97,361 S *	10/1935	Swanson	D12/335
D97,652 S *	11/1935	Swanson	D12/335
D98,660 S *	2/1936	Burnelli	D12/335
D100,608 S *	7/1936	Taylor et al.	D12/335
D100,609 S *	7/1936	Wilson et al.	D12/335
D101,928 S *	11/1936	Wilson et al.	D12/331
D103,290 S *	2/1937	Wendt	D12/324
D106,275 S *	10/1937	Bellanca	D12/335
D112,834 S *	1/1939	Seversky	244/45 R

2,147,968 A *	2/1939	Delanne	B64C 39/00 244/119
D113,649 S *	3/1939	Abrams	244/91
D114,122 S *	4/1939	Martin	244/105
D114,626 S *	5/1939	Taylor et al.	244/119
D115,854 S *	7/1939	Loudy	244/13
D119,714 S *	3/1940	Hibbard	244/13
D123,427 S *	11/1940	Brandrup	D12/335
D126,067 S *	3/1941	Boushey	D12/335
D129,412 S *	9/1941	Nebesar	D12/324
D130,651 S *	12/1941	Silverstein	244/13
RE22,029 E *	2/1942	Nebesar	B64C 39/04 244/13
D133,126 S *	7/1942	Woods	D12/335
D133,777 S *	9/1942	Gardenhire	244/49

(Continued)

OTHER PUBLICATIONS

Jetoptera by Electric VTOL News. dated May 2018. found online [Mar. 15, 2019] <http://evtol.news/aircraft/jetoptera-j2000/>*

Primary Examiner — Marissa J Cash
(74) *Attorney, Agent, or Firm* — Foster Pepper PLLC

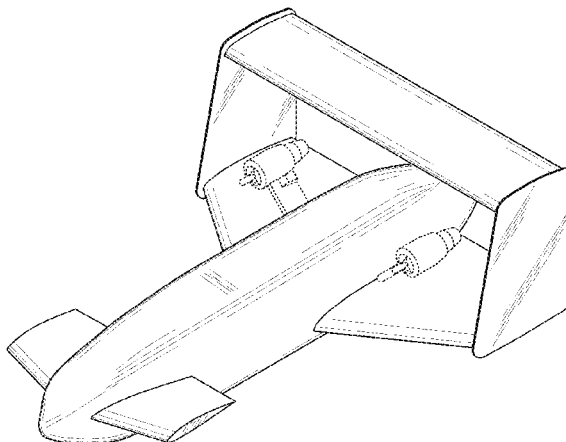
(57) **CLAIM**

I claim the ornamental design for an airframe for an unmanned aerial vehicle, as shown and described.

DESCRIPTION

FIG. 1 is a front perspective view of an airframe for an unmanned aerial vehicle, showing my new design; FIG. 2 is a top plan view thereof; FIG. 3 is a bottom plan view thereof; FIG. 4 is a left side elevation view thereof; FIG. 5 is a right side elevation view thereof; FIG. 6 is a front elevation view thereof; and, FIG. 7 is a rear elevation view thereof. The broken lines shown in the drawings are included for the purpose of illustrating environmental structure and form no part of the claimed design.

1 Claim, 7 Drawing Sheets



(56)

References Cited

U.S. PATENT DOCUMENTS

D135,994	S *	7/1943	Floren	244/215	D240,909	S *	8/1976	Whitener	D12/335
D135,995	S *	7/1943	Floren	244/215	D245,157	S *	7/1977	Seidel	D12/333
D136,078	S *	8/1943	Novikoff	244/106	D250,727	S *	1/1979	Venditti	D21/450
D136,249	S *	8/1943	Burnelli	D12/333	D250,786	S *	1/1979	Venditti	D21/450
D136,296	S *	8/1943	Szyncer	244/16	D250,852	S *	1/1979	Maloney, II	D21/450
D138,102	S *	6/1944	Kelly	244/106	D268,107	S *	3/1983	Enav	244/15
D138,217	S *	7/1944	Van Zelm	244/13	D273,005	S *	3/1984	McComas	D12/335
D138,218	S *	7/1944	Van Zelm	244/13	D274,510	S *	7/1984	McComas	D12/338
D138,795	S *	9/1944	Stoughton	244/45 R	D292,203	S *	10/1987	Ligeti	D12/319
D139,028	S *	10/1944	Stout	244/45 R	D292,910	S *	11/1987	McGiboney	D12/331
D139,438	S *	11/1944	Hughes et al.	244/13	4,746,082	A *	5/1988	Syms	B64D 47/08 244/118.2
D140,113	S *	1/1945	Biasell	244/13	D301,867	S *	6/1989	Street	D12/339
D140,220	S *	1/1945	Thieblot	244/45 R	D308,043	S *	5/1990	Butler	D12/331
D143,729	S *	2/1946	Hall et al.	244/74	D311,720	S *	10/1990	Butler	D12/331
D143,730	S *	2/1946	Hall et al.	244/74	D312,068	S *	11/1990	Moller	D12/319
D143,731	S *	2/1946	Hall et al.	244/74	D319,805	S *	9/1991	Wiegert	D12/319
D143,732	S *	2/1946	Hall et al.	244/74	D323,315	S *	1/1992	Haga	D12/328
D143,820	S *	2/1946	Hibbard et al.	244/13	5,078,339	A *	1/1992	Lapidot	B64C 3/56 244/49
D144,211	S *	3/1946	Northrop et al.	244/37	5,115,996	A *	5/1992	Moller	B64C 29/0025 239/265.19
D144,938	S *	6/1946	Schmued	244/36	5,415,365	A *	5/1995	Ratliff	B64C 35/00 114/271
D148,595	S *	2/1948	Thieblot	244/45 R	5,503,352	A *	4/1996	Eger	B64C 39/068 244/13
D157,645	S *	3/1950	Thieblot	D12/335	D371,105	S *	6/1996	Graham	D12/319
D159,110	S *	6/1950	Thieblot	244/13	D381,952	S *	8/1997	Carter, Jr.	D12/327
D159,198	S *	7/1950	Greenwood et al.	D12/335	D392,937	S *	3/1998	Brichard	D12/319
D160,841	S *	11/1950	Burnelli	244/13	D414,740	S *	10/1999	Margaritoff	D12/319
D160,842	S *	11/1950	Burnelli	244/13	D418,805	S *	1/2000	Cycon	244/12.3
D162,517	S *	3/1951	Burnelli	244/13	D431,522	S *	10/2000	Fujino	D12/337
D163,722	S *	6/1951	Vinje	244/2	D442,540	S *	5/2001	Cellini	D12/308
D164,371	S *	8/1951	Voque	D12/335	D446,182	S *	8/2001	Adam, Jr.	D12/319
D164,843	S *	10/1951	Burnelli	D12/333	D466,858	S *	12/2002	Carroll	D12/337
2,752,114	A *	6/1956	Calvy	B60J 5/125 244/118.3	D467,533	S *	12/2002	Han	D12/319
D179,811	S *	3/1957	Messerschmid	D12/327	D486,776	S *	2/2004	Carr	D12/319
D185,535	S *	6/1959	Coleman	D12/333	D500,729	S *	1/2005	Wilding	D12/319
D185,546	S *	6/1959	Geraci	244/45 R	D500,981	S *	1/2005	Wilding	D12/319
D190,534	S *	6/1961	Smolinski	D12/330	D543,248	S *	5/2007	Winston	D21/450
3,017,139	A *	1/1962	Binder	B64C 39/062 244/12.6	D738,438	S *	9/2015	Cummings	D21/447
D192,195	S *	2/1962	Stepniewski	D12/330	9,120,560	B1 *	9/2015	Armer	B64C 29/0008
D192,337	S *	3/1962	Skaggs	D12/335	D743,868	S *	11/2015	Cummings	D12/328
D192,665	S *	4/1962	Stepniewski	D12/335	D763,733	S *	8/2016	Gattelli	D12/16.1
3,049,320	A *	8/1962	Fletcher	B64C 29/0033 244/12.4	9,783,288	B1 *	10/2017	Moore	B64C 27/322
D197,933	S *	4/1964	Sumner	D12/324	D810,621	S *	2/2018	Sadek	D12/16.1
D202,260	S *	9/1965	McConologue	D12/335	9,932,118	B2 *	4/2018	Bak	B64D 27/24
D203,283	S *	12/1965	Woods	244/13	10,124,890	B2 *	11/2018	Sada-Salinas	B64C 29/0025
D203,720	S *	2/1966	Jarchow	D12/335	10,183,744	B2 *	1/2019	Gamble	B64C 29/0025
D231,603	S *	5/1974	Krivka	D12/327	2012/0043413	A1 *	2/2012	Smith	B64C 29/0033 244/12.4
3,834,654	A *	9/1974	Miranda	B64C 39/068 244/13	2017/0072755	A1 *	3/2017	Zhou	B64C 29/0075
D238,888	S *	2/1976	Bradley	D21/833	2017/0300067	A1 *	10/2017	Douglas	B64C 29/0025
D239,274	S *	3/1976	Snyder	D12/335	2018/0305007	A1 *	10/2018	Evulet	B64C 29/0005
D239,522	S *	4/1976	Wheatley	D12/335					

* cited by examiner

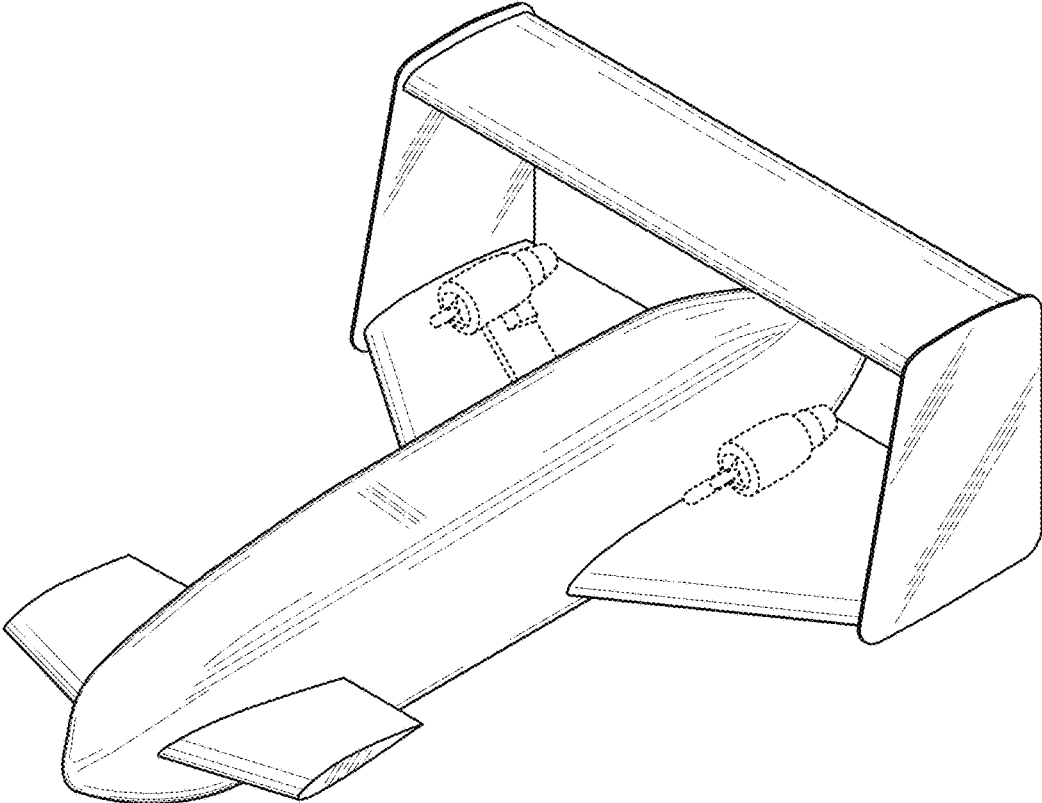


Fig. 1

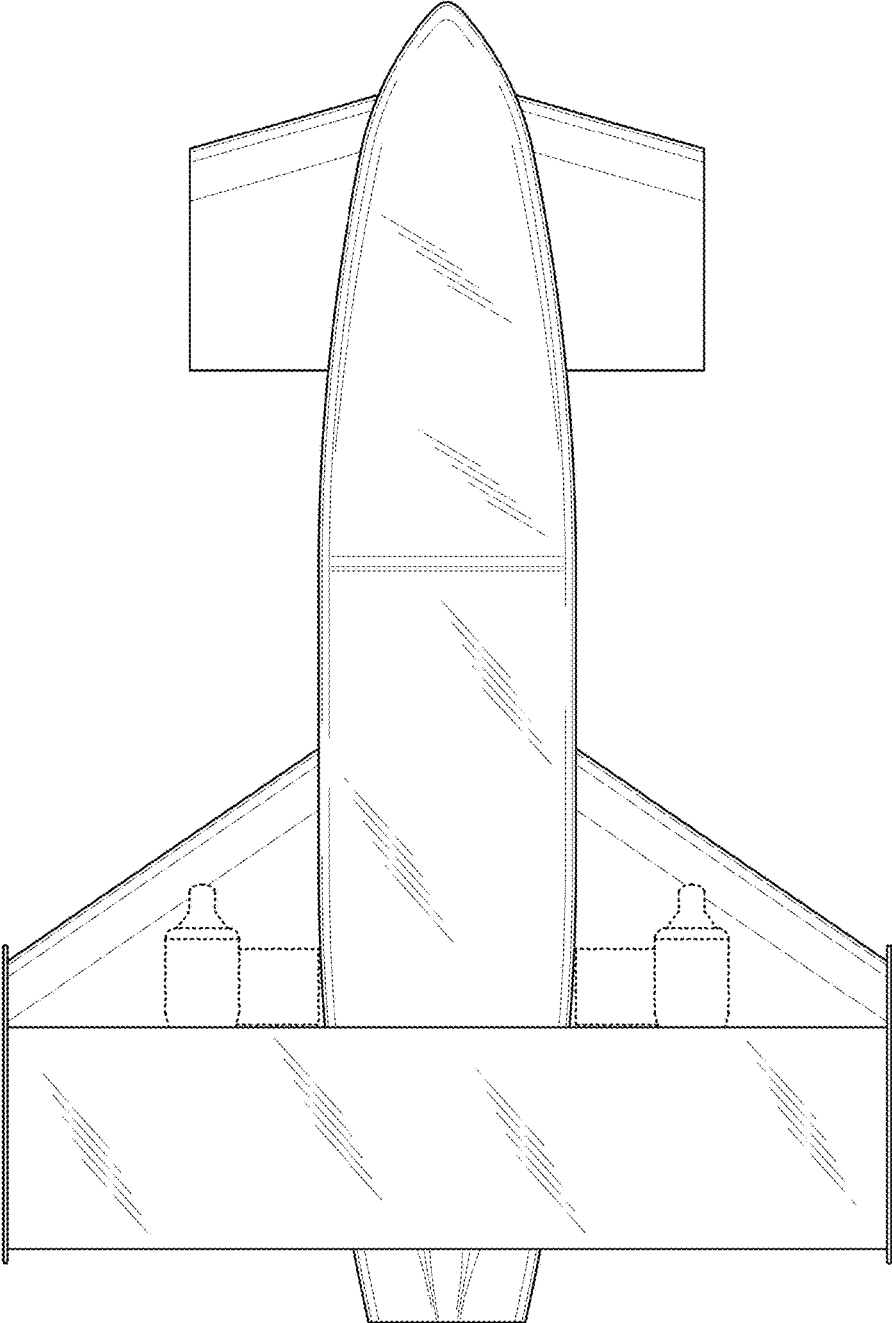


Fig. 2

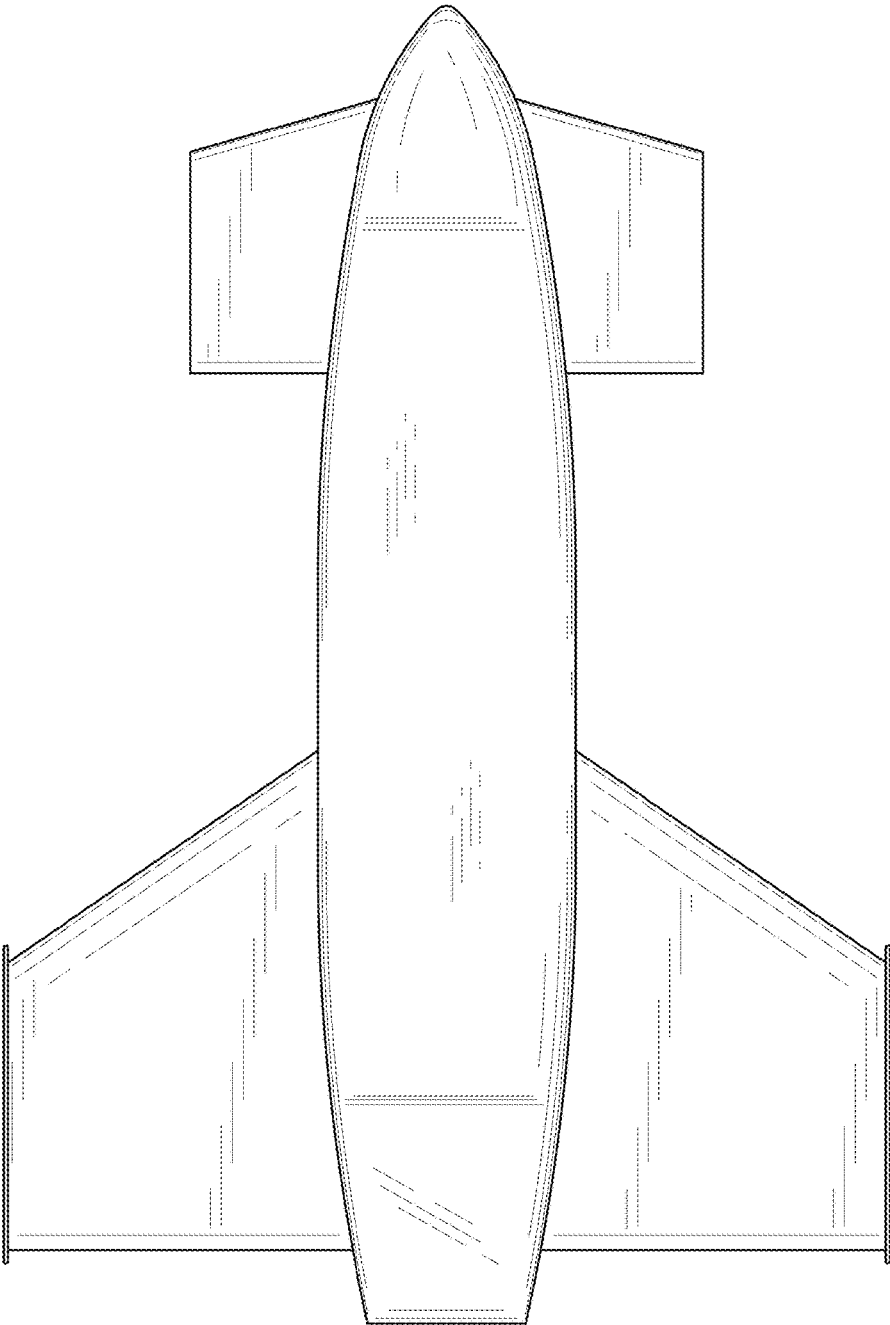


Fig. 3

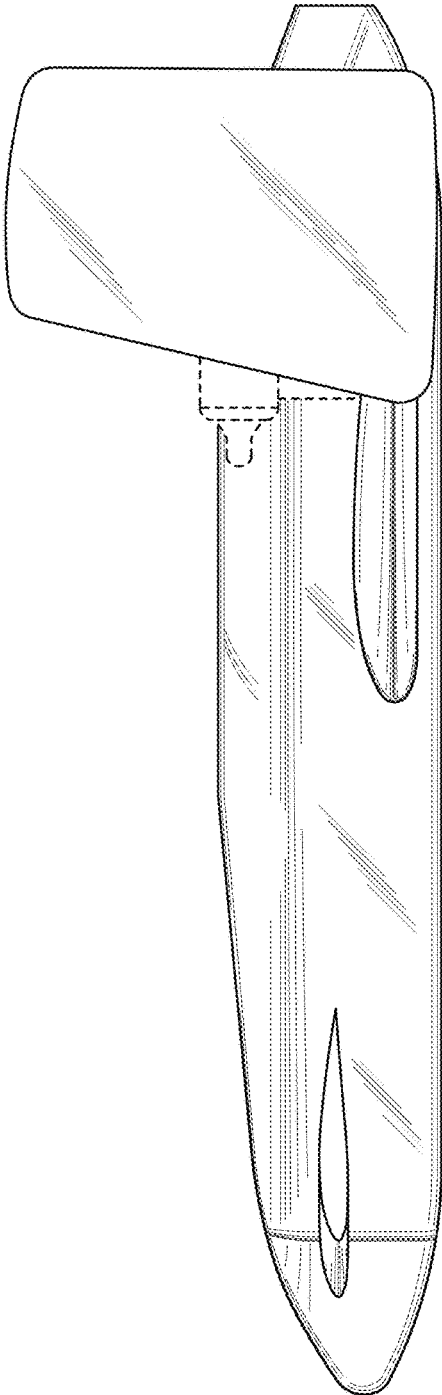


Fig. 4

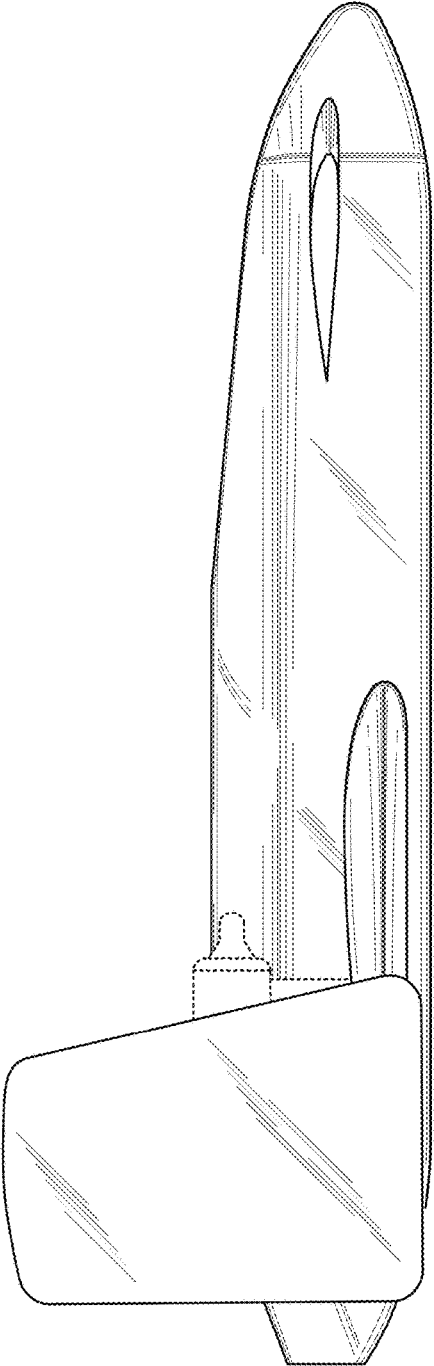


Fig. 5

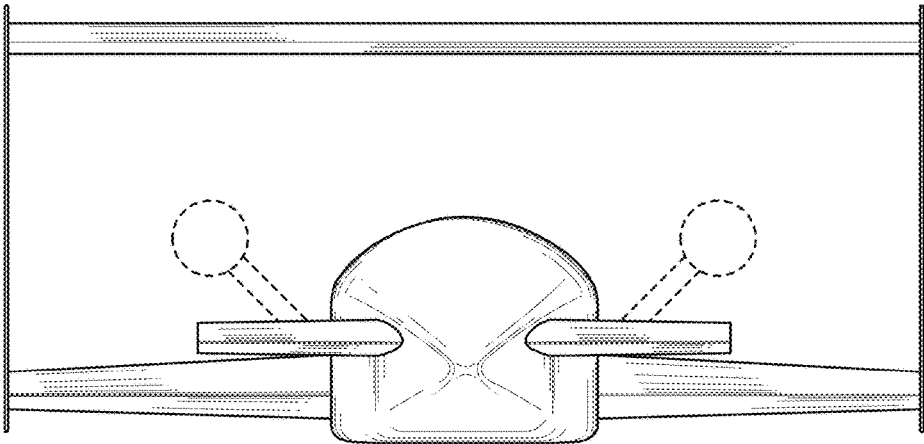


Fig. 6

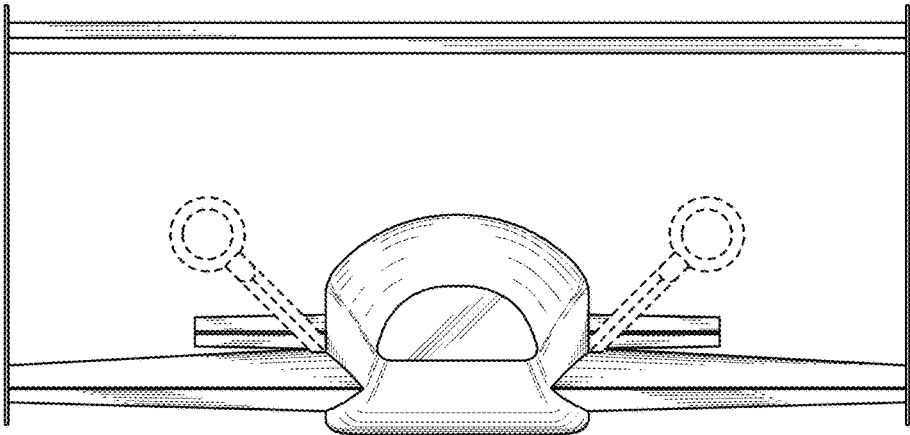


Fig. 7