



(12) **United States Design Patent**  
**Zhang**

(10) **Patent No.:** **US D1,002,965 S**  
(45) **Date of Patent:** **\*\* Oct. 24, 2023**

(54) **CAT TOY**  
(71) Applicant: **Shenzhen DogCare Innovation & Technology Co., Ltd., Shenzhen (CN)**  
(72) Inventor: **Haochong Zhang, Shenzhen (CN)**  
(73) Assignee: **SHENZHEN DOGCARE INNOVATION & TECHNOLOGY CO., LTD., Shenzhen (CN)**

8,438,999 B2 \* 5/2013 Hardi ..... A01K 27/009  
119/718  
D747,833 S \* 1/2016 Liu ..... D30/160  
9,491,930 B2 \* 11/2016 Cook ..... A01K 15/025  
9,565,835 B1 \* 2/2017 Nobile ..... A01K 15/025  
D782,125 S \* 3/2017 Tseng ..... D30/121  
D830,437 S \* 10/2018 Metta ..... D15/199  
D830,438 S \* 10/2018 Haddadin ..... D21/578  
D831,720 S \* 10/2018 Miao ..... D15/199  
D835,693 S \* 12/2018 Lee ..... D15/199  
D955,666 S \* 6/2022 Tu ..... D30/160  
2012/0298049 A1 \* 11/2012 Cook ..... A01K 15/025  
119/707  
2014/0283757 A1 \* 9/2014 Davison, III ..... A01K 15/025  
119/707

(\*\*) Term: **15 Years**

(21) Appl. No.: **29/772,432**

\* cited by examiner

(22) Filed: **Mar. 2, 2021**

*Primary Examiner* — Samantha Wood

*Assistant Examiner* — Aula Soroush

(30) **Foreign Application Priority Data**

(74) *Attorney, Agent, or Firm* — Bayramoglu Law Offices LLC

Nov. 6, 2020 (CN) ..... 202030671993.1

(51) **LOC (14) Cl.** ..... **30-99**

(52) **U.S. Cl.**  
USPC ..... **D30/160**

(58) **Field of Classification Search**  
USPC ..... D30/160; D21/398; D15/199  
CPC .... A01K 15/025; A01K 15/027; A01K 15/02;  
A01K 15/029  
See application file for complete search history.

(57) **CLAIM**

The ornamental design for a cat toy, as shown and described.

**DESCRIPTION**

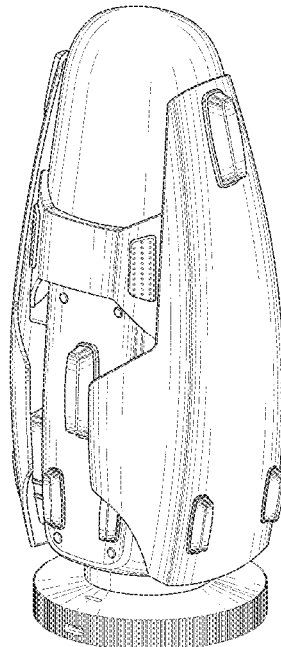
FIG. 1 is a rear, left and top perspective view of a cat toy showing my new design;  
FIG. 2 is a front view thereof;  
FIG. 3 is a rear view thereof;  
FIG. 4 is a right side view thereof, a left side view being identical to the right side view;  
FIG. 5 is a top view thereof;  
FIG. 6 is a bottom view thereof; and,  
FIG. 7 is a front, left and bottom perspective view thereof.  
The broken lines showing portions of the cat toy form no part of the claimed design.

(56) **References Cited**

**U.S. PATENT DOCUMENTS**

6,505,576 B2 \* 1/2003 Nathanson ..... A01K 15/025  
119/702  
D621,103 S \* 8/2010 Kim ..... D30/160  
D646,443 S \* 10/2011 Cook ..... D26/37  
D678,631 S \* 3/2013 Paculdo ..... D30/160  
D679,460 S \* 4/2013 Paculdo ..... D30/160

**1 Claim, 7 Drawing Sheets**



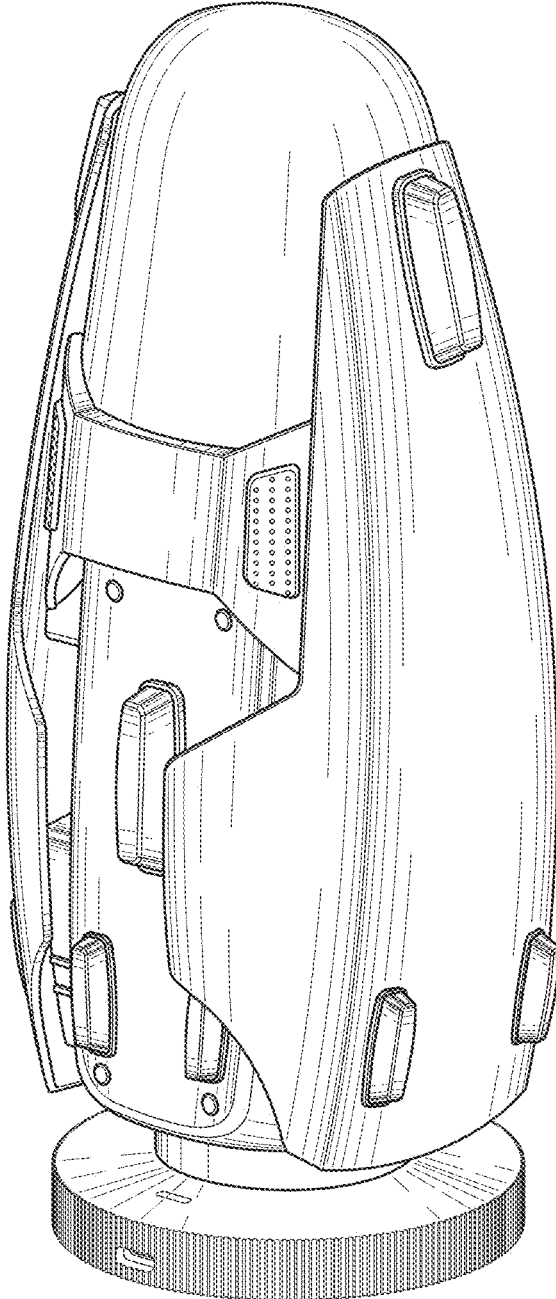


Fig. 1

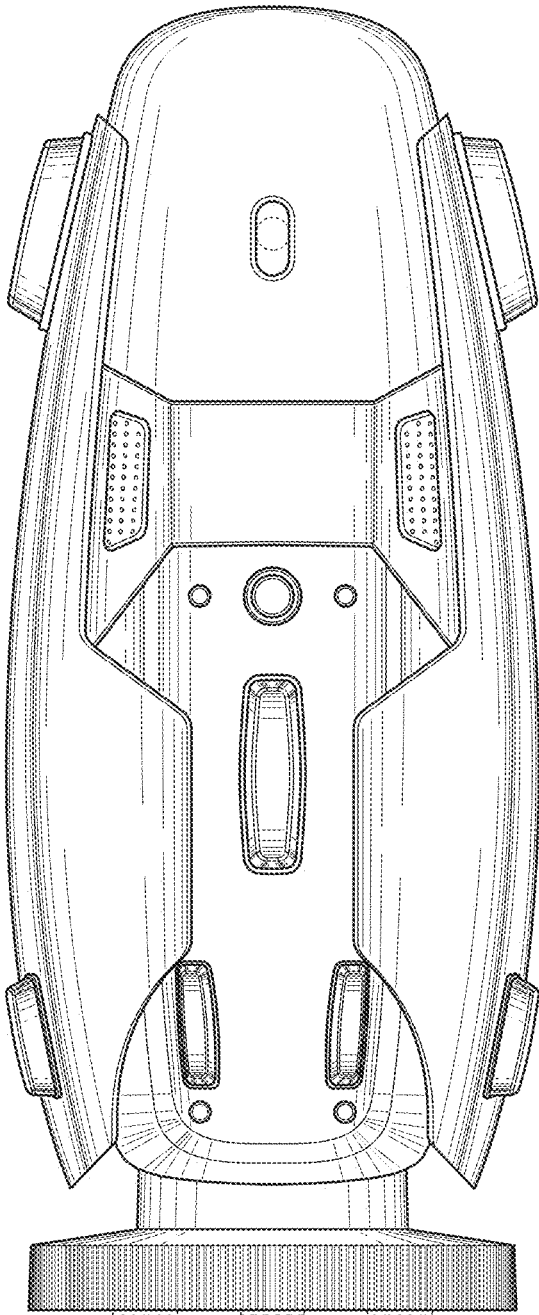


Fig. 2

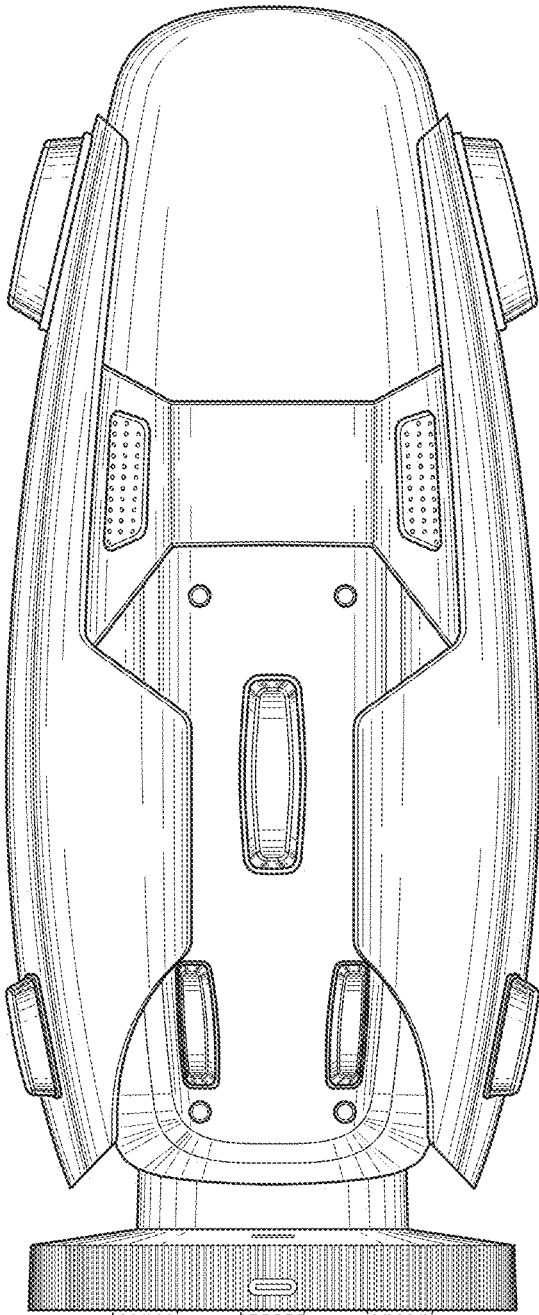


Fig. 3

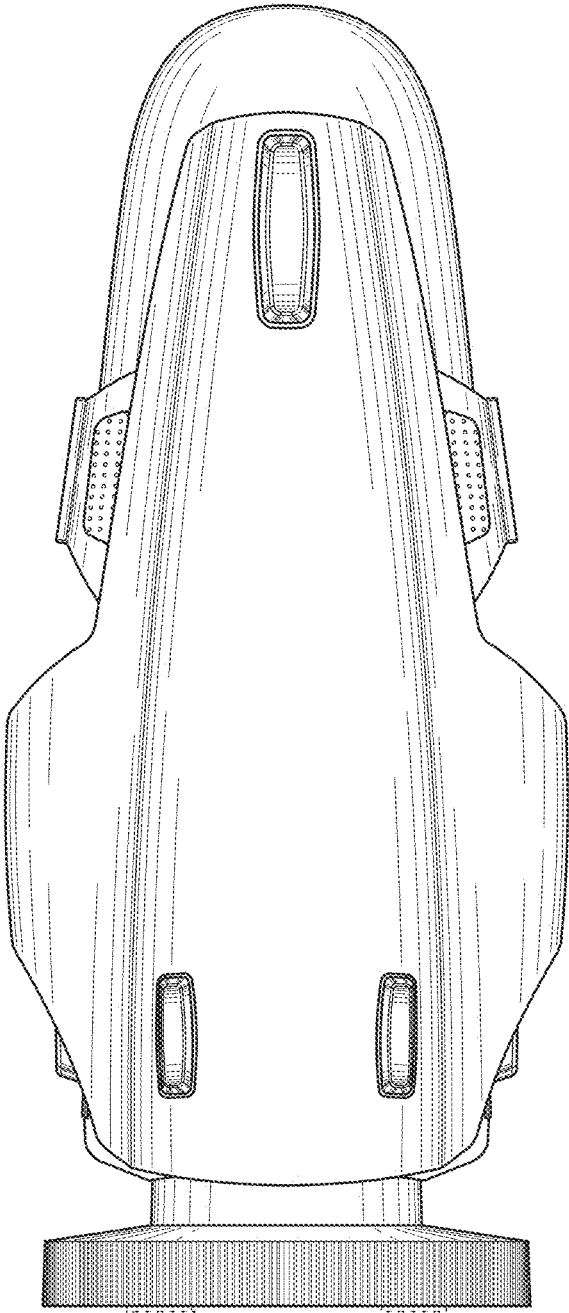


Fig. 4

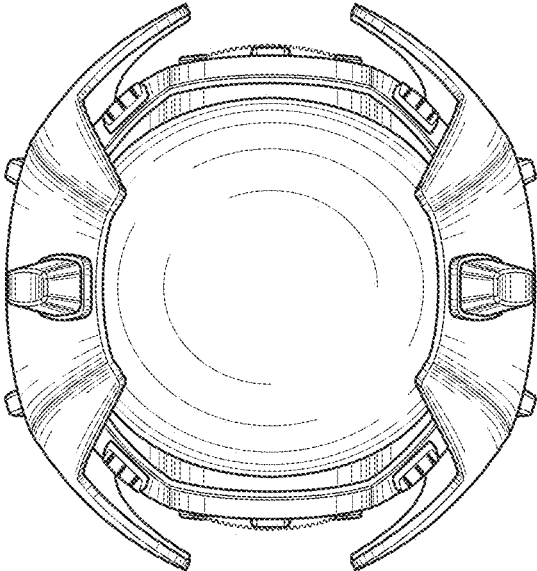


Fig. 5

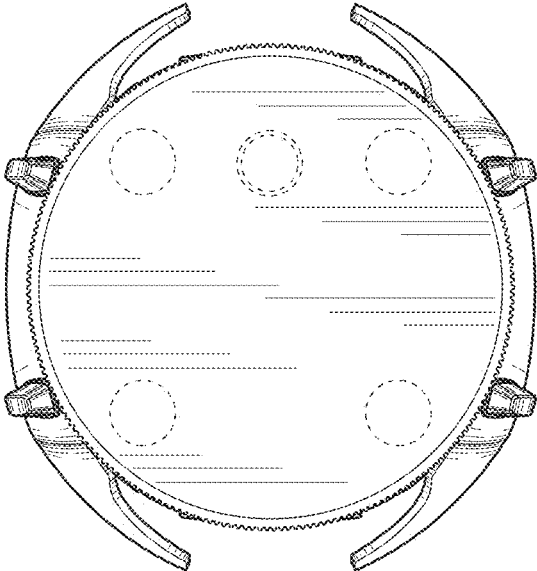


Fig. 6

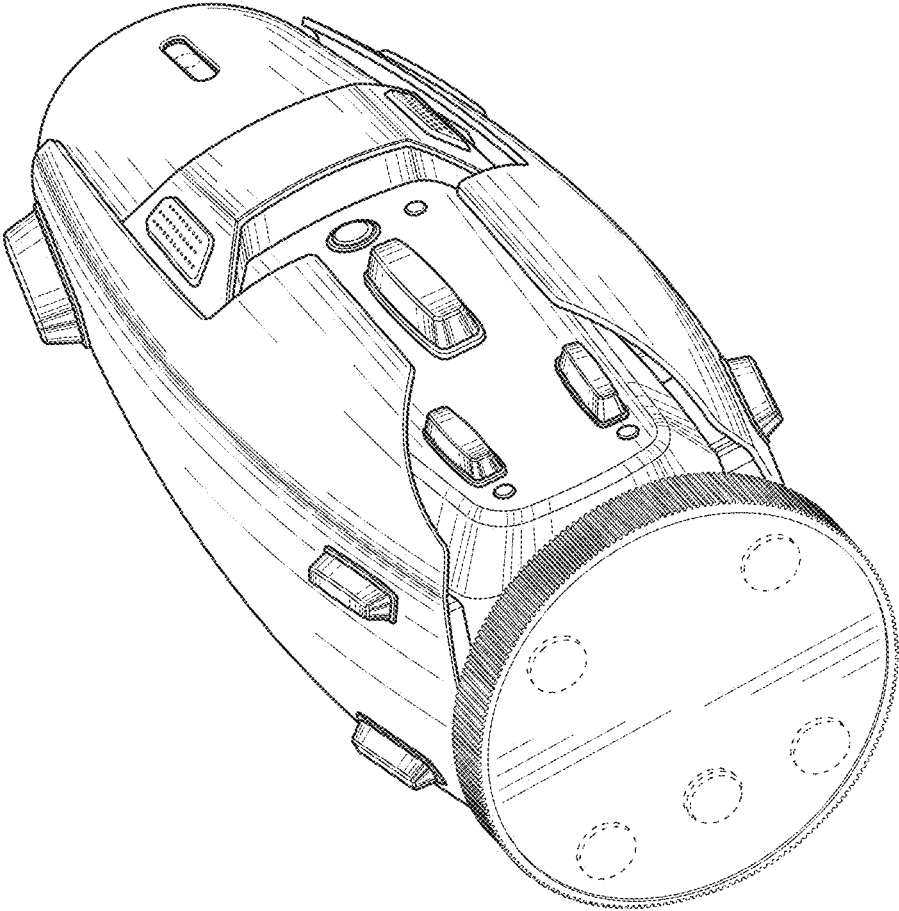


Fig. 7