



US00D389574S

United States Patent [19]

Emerson et al.

[11] Patent Number: Des. 389,574

[45] Date of Patent: **Jan. 20, 1998

[54] FINGER GRIP DEVICE FOR A LASER FIBER OPTIC DELIVERY SYSTEM

4,726,369	2/1988	Mar	606/1
5,137,517	8/1992	Loney et al.	606/1
5,549,594	8/1996	Bruken	606/1

[75] Inventors: Rick Emerson, San Jose; Douglas R. Murphy-Chutorian; Richard L. Mueller, both of Sunnyvale; Stuart D. Harman, San Jose; Steven A. Daniel, Fremont, all of Calif.

Primary Examiner—Doris Clark
Attorney, Agent, or Firm—Janet Kasier Castaneda

[73] Assignee: Eclipse Surgical Technologies, Inc., Sunnyvale, Calif.

[57] CLAIM

The ornamental design for a finger grip device for a laser fiber optic delivery system, as shown.

[**] Term: 14 Years

DESCRIPTION

[21] Appl. No.: 63,126

FIG. 1 is a front, perspective view of the finger grip device for a laser fiber optic delivery system showing our new design;

[22] Filed: Nov. 27, 1996

FIG. 2 is a front view thereof;

[51] LOC (6) Cl. 24-02

FIG. 3 is a left side view thereof;

[52] U.S. Cl. D24/133

FIG. 4 is a right view thereof;

[58] Field of Search D24/133, 144;
385/134, 15, 25, 53, 92, 117-120, 901;
606/1, 15, 16, 161, 162, 34, 32; 604/118,
119, 35, 32, 41

FIG. 5 is a rear view thereof;

FIG. 6 is a top view thereof; and,

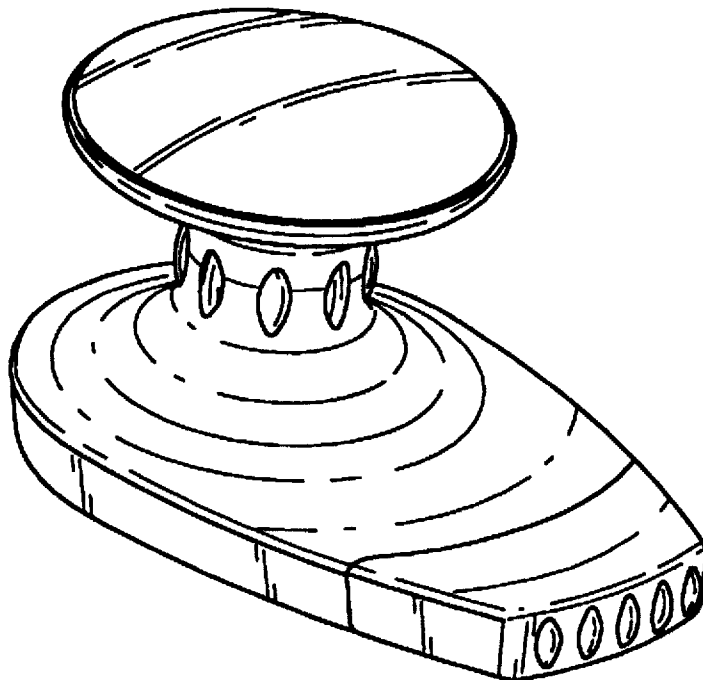
FIG. 7 is a bottom view thereof.

[56] References Cited

U.S. PATENT DOCUMENTS

D. 372,979 8/1996 Coss D24/133

1 Claim, 2 Drawing Sheets



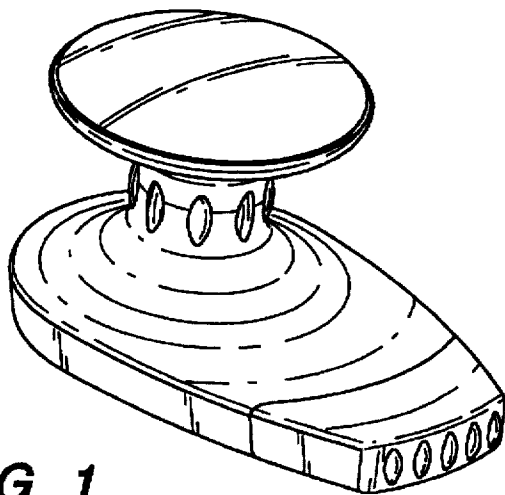


FIG. 1

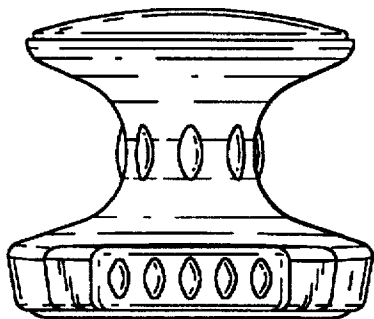


FIG. 2

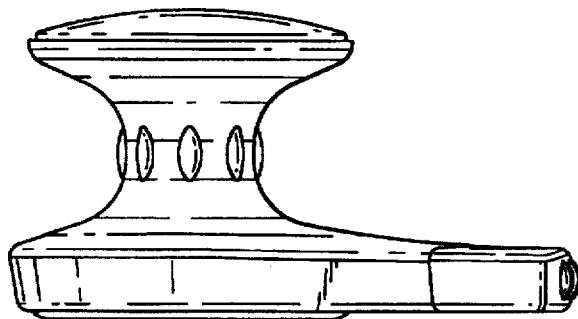


FIG. 3

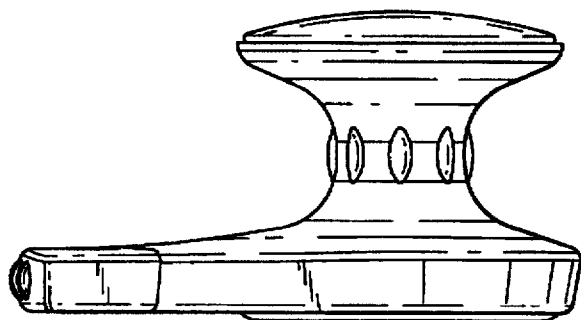


FIG. 4

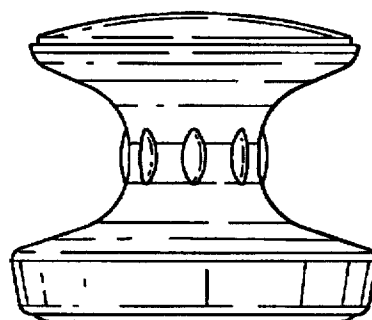


FIG. 5

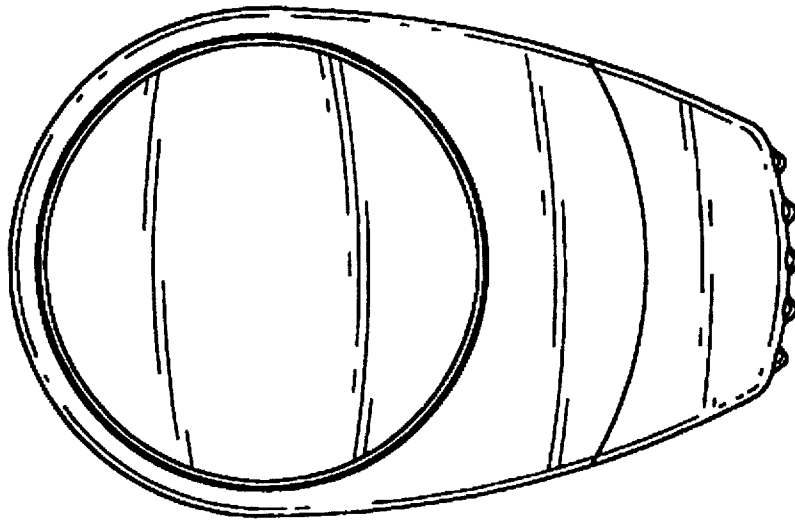


FIG. 6

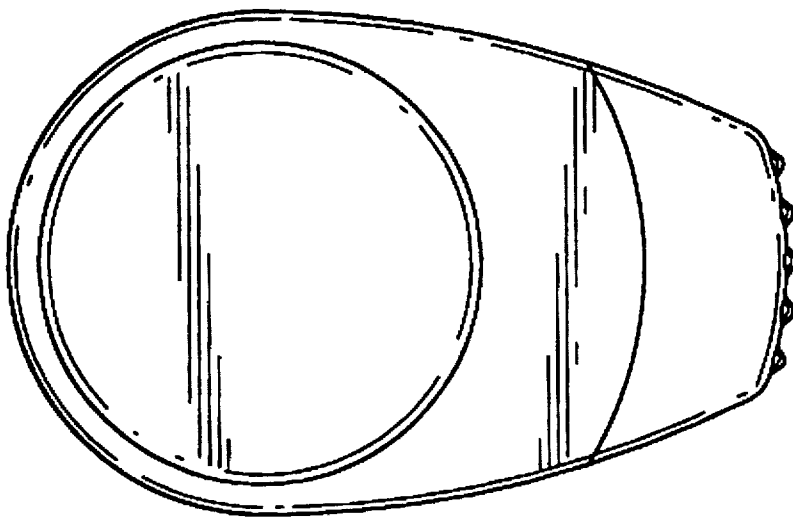


FIG. 7