



US00D717298S

(12) **United States Design Patent**
Sale et al.

(10) **Patent No.:** **US D717,298 S**
(45) **Date of Patent:** **** Nov. 11, 2014**

(54) **DISPLAY DEVICE**

(71) Applicant: **Diversiory Therapy Technologies Pty Ltd, Toowong (AU)**
(72) Inventors: **Robert Charles Sale, Pullenvale (AU); Mark Robert Guthrie, Pullenvale (AU); John Voltin, Austin, TX (US); Brooke M. Davis, Austin, TX (US)**

(73) Assignee: **DTT (Holdings) Pty Ltd (AU)**

(**) Term: **14 Years**

(21) Appl. No.: **29/439,870**

(22) Filed: **Dec. 17, 2012**

(30) **Foreign Application Priority Data**

Jul. 18, 2012 (AU) 13392/2012
Jul. 18, 2012 (AU) 13393/2012
Jul. 18, 2012 (AU) 13394/2012

(51) **LOC (10) Cl.** **14-02**

(52) **U.S. Cl.**
USPC **D14/371; D24/107**

(58) **Field of Classification Search**
USPC D14/341-347, 137, 138 R, 138 AA, D14/138 C, 138 G, 496, 203.1, 203.3, 203.4, D14/203.7, 129, 130, 147, 218, 248, 389, D14/388, 426, 420; D10/65, 104.1; D18/6-7; D21/324, 329, 330; 455/556.1, 556.2, 566, 575.1, 90.3; 379/433.04, 433.01, 433.06, 916; 345/173, 901, 905; 361/679.26, 679.3, 361/679.55, 679.56

See application file for complete search history.

(56) **References Cited**

U.S. PATENT DOCUMENTS

D434,399 S * 11/2000 Lanet D14/130
D456,371 S * 4/2002 Lavelle et al. D14/132
D462,957 S * 9/2002 Ekelund D14/336
D482,031 S * 11/2003 Lin D14/371
D517,513 S * 3/2006 Peng D14/129
D538,766 S * 3/2007 Hsiung D14/132
D574,893 S * 8/2008 Bucolo et al. D20/10
D607,347 S * 1/2010 Goh et al. D10/46
D632,396 S * 2/2011 Kasabach et al. D24/186
D634,232 S * 3/2011 Kelly et al. D11/3
D647,810 S * 11/2011 Bohrer D10/106.9
D660,368 S * 5/2012 Podd D20/42
2002/0089414 A1 * 7/2002 Boggs et al. 340/286.11

* cited by examiner

Primary Examiner — Barbara Fox

(74) Attorney, Agent, or Firm — Barnes & Thornburg LLP

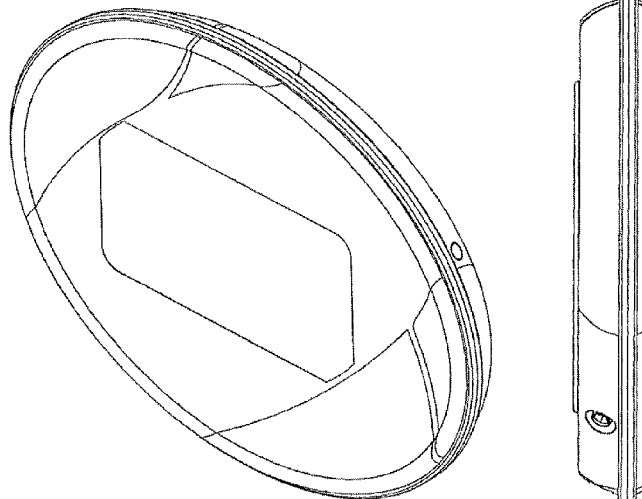
(57) **CLAIM**

The ornamental design for a display device, as shown and described.

DESCRIPTION

FIG. 1 is an isometric view of the front of a display device showing the new design,
FIG. 2 is an isometric view from the rear thereof,
FIG. 3 is a front elevational view thereof,
FIG. 4 is a rear elevational view thereof,
FIG. 5 is a top plan view thereof,
FIG. 6 is a bottom plan view thereof,
FIG. 7 is an elevational view of the left side thereof; and,
FIG. 8 is an elevational view of the right side thereof.
The features shown in broken lines are not part of the design.

1 Claim, 3 Drawing Sheets



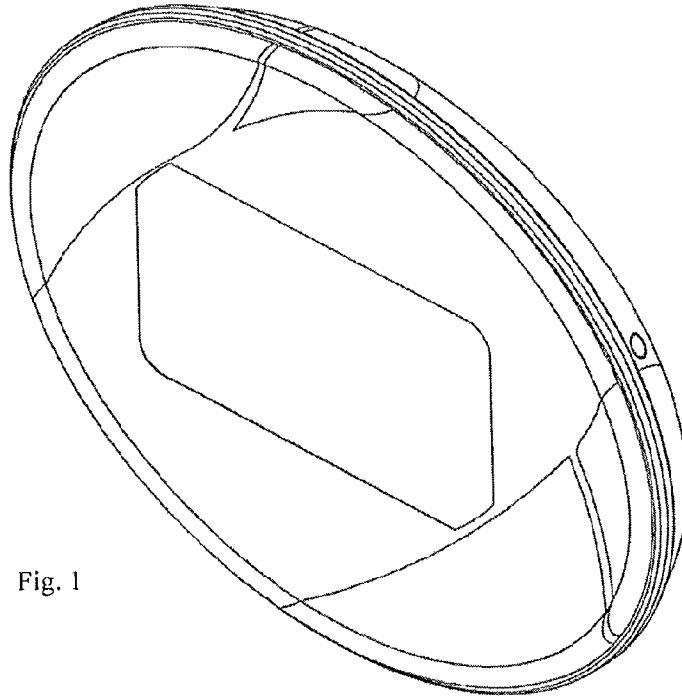


Fig. 1

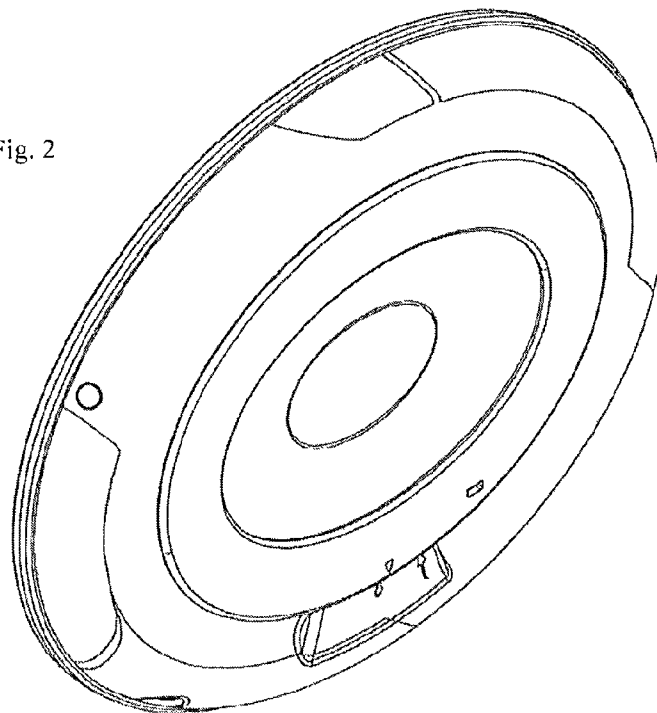


Fig. 2

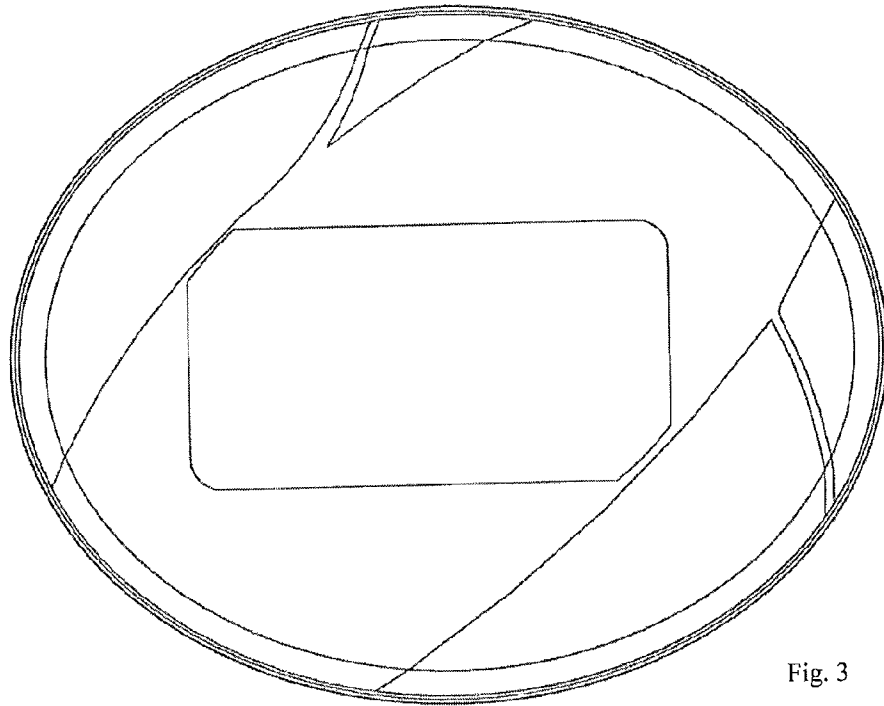


Fig. 3

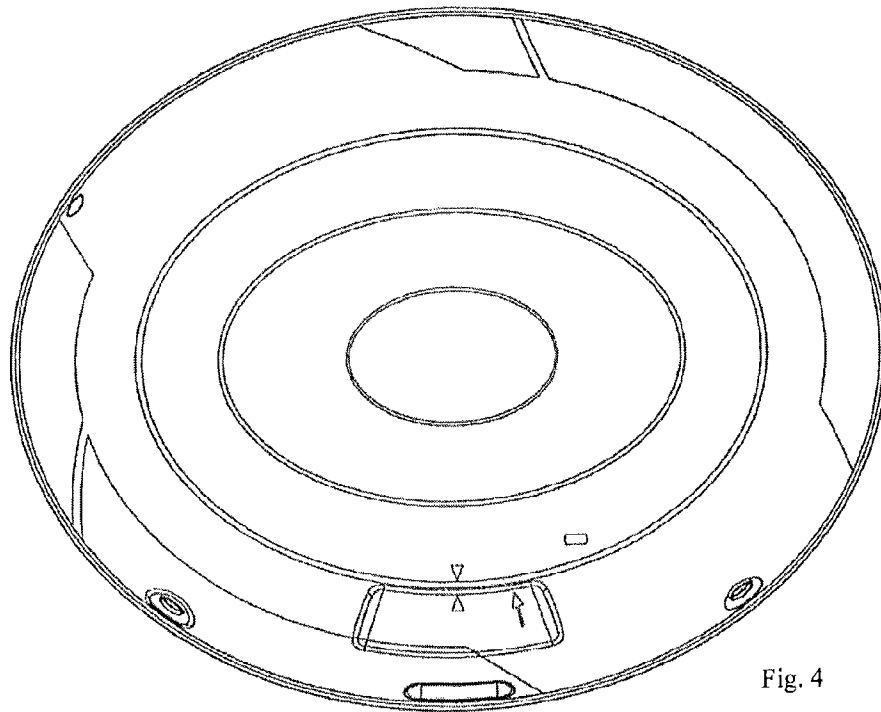


Fig. 4



Fig. 5

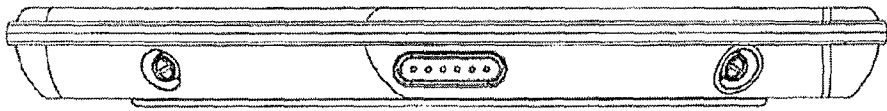


Fig. 6



Fig. 7



Fig. 8