



US00D852961S

(12) **United States Design Patent**  
**Ellenz et al.**

(10) **Patent No.:** **US D852,961 S**

(45) **Date of Patent:** **\*\* Jul. 2, 2019**

(54) **MEDICAL CONSOLE WITH DISPLAY**

D804,032 S \* 11/2017 Yanase ..... D24/160  
D804,671 S \* 12/2017 Yanase ..... D24/160  
D805,646 S \* 12/2017 Burns ..... D24/185

(71) Applicant: **Energize Medical LLC**, Lenexa, KS  
(US)

(Continued)

(72) Inventors: **John Ellenz**, Olathe, KS (US); **Randall Allard**, Olathe, KS (US)

**OTHER PUBLICATIONS**

(73) Assignee: **Energize Medical LLC**, Lenexa, KS  
(US)

Techbriefs. "400RXMD OEM Pumps". Internet article. 3 pages. Aug. 1, 2015. Obtained from the Internet URL: <https://www.techbriefs.com/component/content/article/1107-mdb/products/22595-400rxmd-oem-pumps>. Obtained on Oct. 14, 2018.

(\*\*) Term: **15 Years**

*Primary Examiner* — Rhea Shields

(21) Appl. No.: **29/547,959**

(74) *Attorney, Agent, or Firm* — The Fedde Law Firm; Kenton Fedde; Nathaniel Fedde

(22) Filed: **Dec. 9, 2015**

(51) **LOC (11) Cl.** ..... **24-02**

(57) **CLAIM**

(52) **U.S. Cl.**

The ornamental design for a medical console with display, as shown and described.

USPC ..... **D24/185**

(58) **Field of Classification Search**

**DESCRIPTION**

USPC ..... D24/185, 128, 186, 164, 160, 167;  
345/173

CPC ..... G06F 3/016

See application file for complete search history.

FIG. 1 is a front upper right perspective view of a medical console with display, showing our new design.

(56) **References Cited**

**U.S. PATENT DOCUMENTS**

D325,440	S	*	4/1992	Landis	.....	D24/128
D518,267	S	*	3/2006	Arceta	.....	D24/185
D606,202	S	*	12/2009	Banryu	.....	D24/185
D626,237	S	*	10/2010	Nordgren	.....	D24/185
D632,796	S	*	2/2011	Ross	.....	D24/185
D652,936	S	*	1/2012	Ross	.....	D24/185
D657,470	S	*	4/2012	Schon	.....	D24/186
D700,706	S	*	3/2014	Molter	.....	D24/185
D712,042	S	*	8/2014	Chung	.....	D24/185
D722,696	S	*	2/2015	Blomquist	.....	D24/164
D739,538	S	*	9/2015	Bernal	.....	D24/185
D750,787	S	*	3/2016	Asad	.....	D24/185
D753,310	S	*	4/2016	Thakar	.....	D24/185
D760,390	S	*	6/2016	Blomquist	.....	D24/164
D771,817	S	*	11/2016	Barak	.....	D24/160
D777,927	S	*	1/2017	Choudhary	.....	D24/167

FIG. 2 is a front upper left perspective view thereof.

FIG. 3 is a front lower right perspective view thereof.

FIG. 4 is a rear upper left perspective view thereof.

FIG. 5 is a front elevation view thereof.

FIG. 6 is a left side elevation view thereof.

FIG. 7 is a right side elevation view thereof.

FIG. 8 is a rear elevation view thereof.

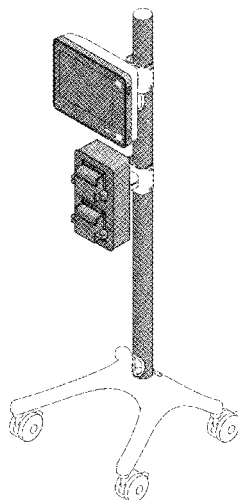
FIG. 9 is a front upper left enlarged perspective view taken along a portion of FIG. 2; and,

FIG. 10 is a front lower right enlarged perspective view taken along a portion of FIG. 3.

In the drawings, the stippling shows contour and not surface ornamentation.

In the drawings, the broken lines are for the purpose of illustrating environment only and form no part of the claimed design.

**1 Claim, 10 Drawing Sheets**



(56)

**References Cited**

U.S. PATENT DOCUMENTS

2014/0098049 A1\* 4/2014 Koch ..... G06F 3/016  
345/173

\* cited by examiner

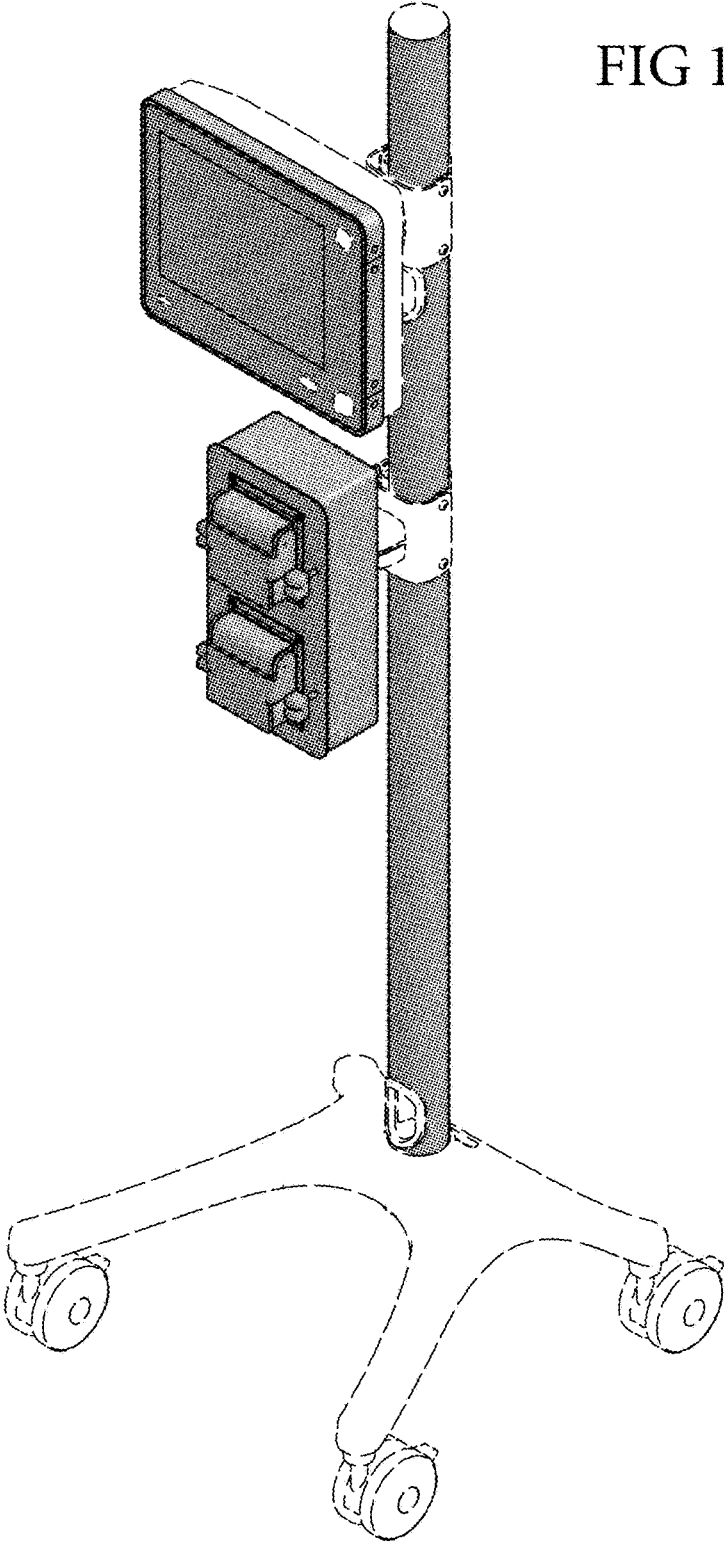


FIG 1

FIG 2

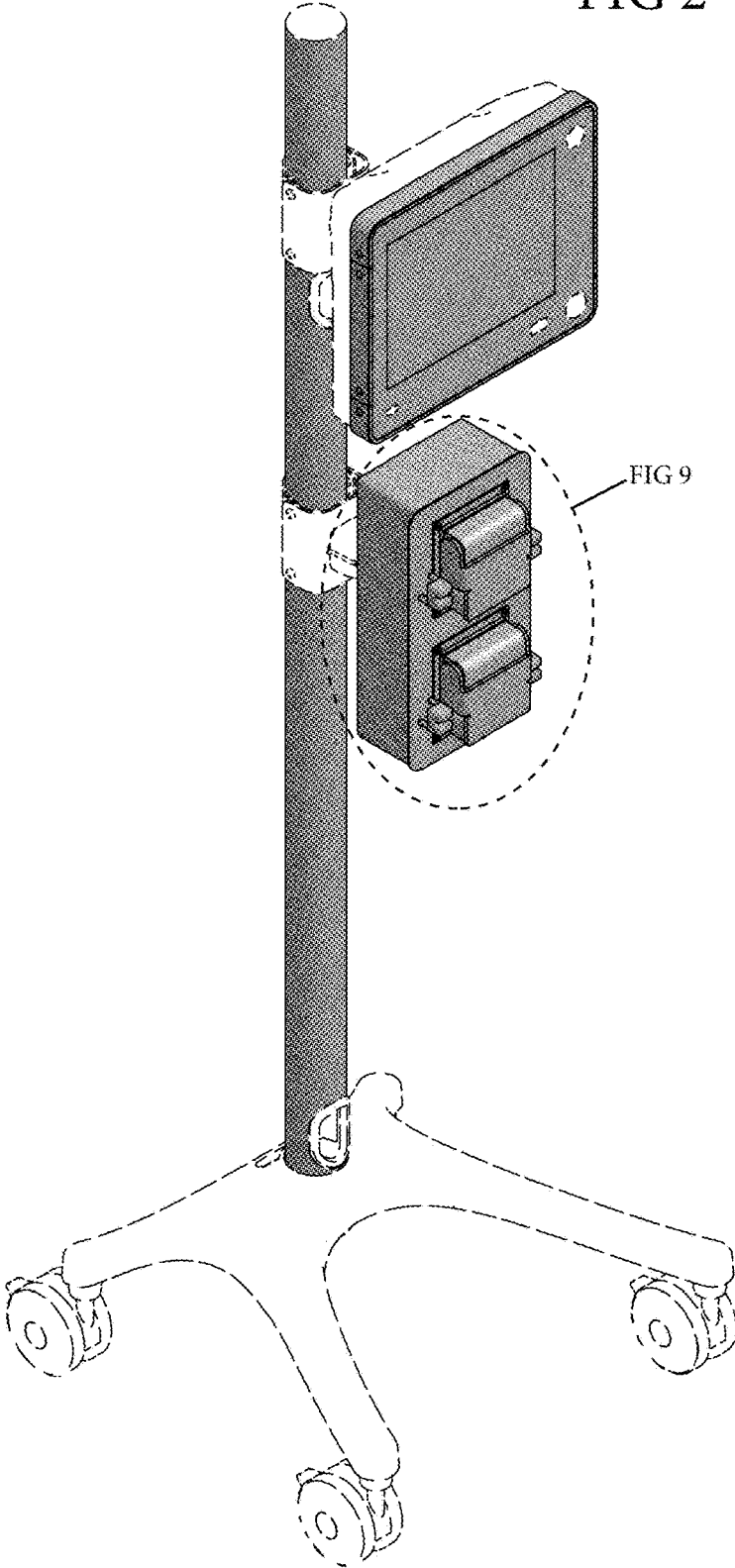


FIG 3

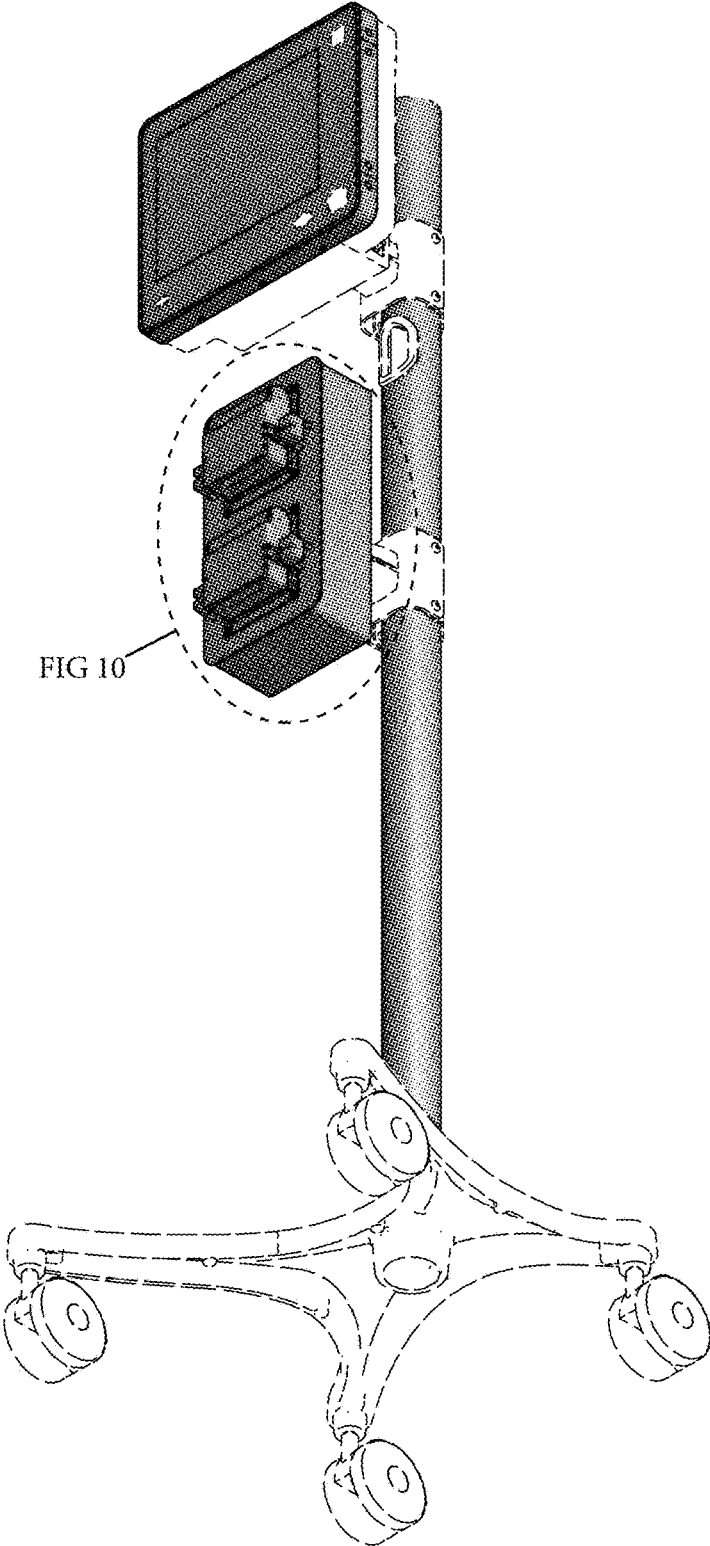


FIG 4

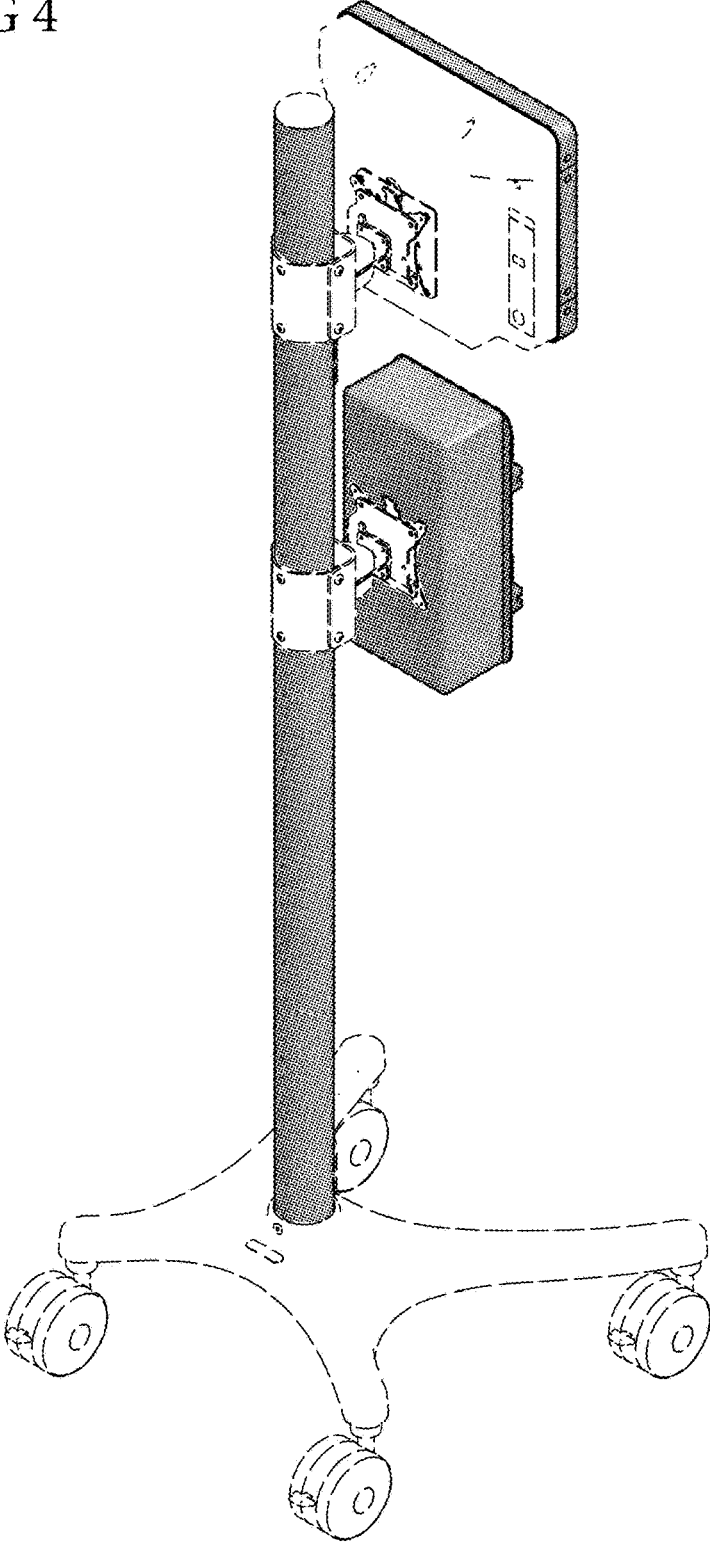


FIG 5

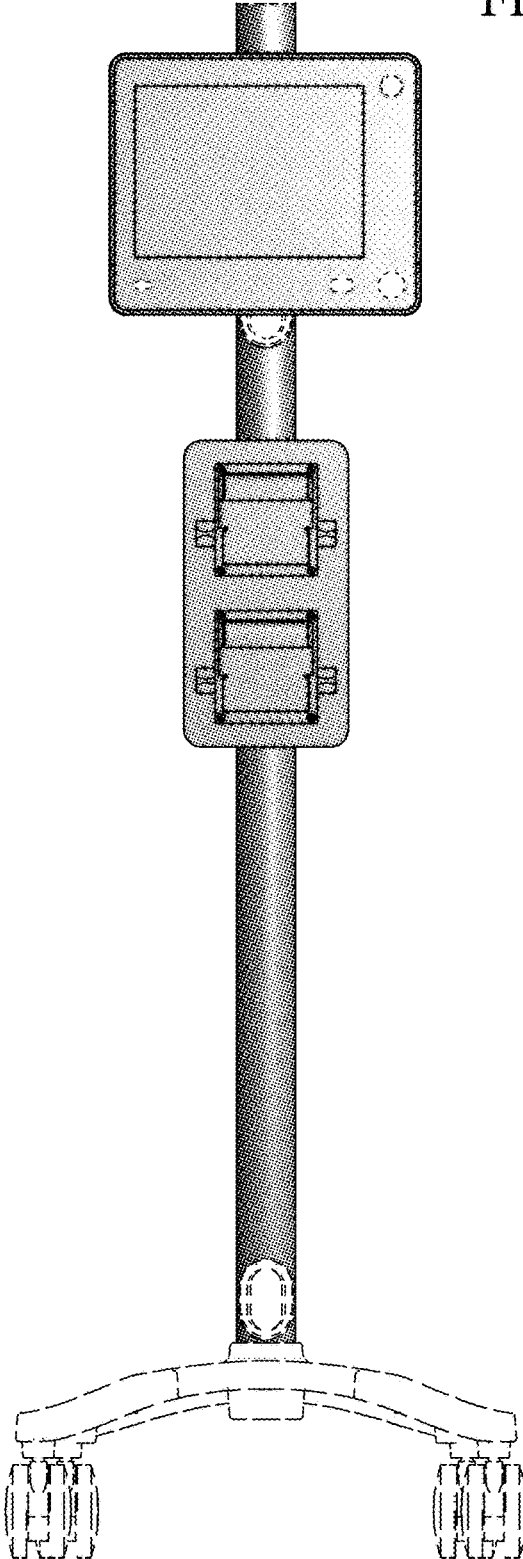


FIG 6

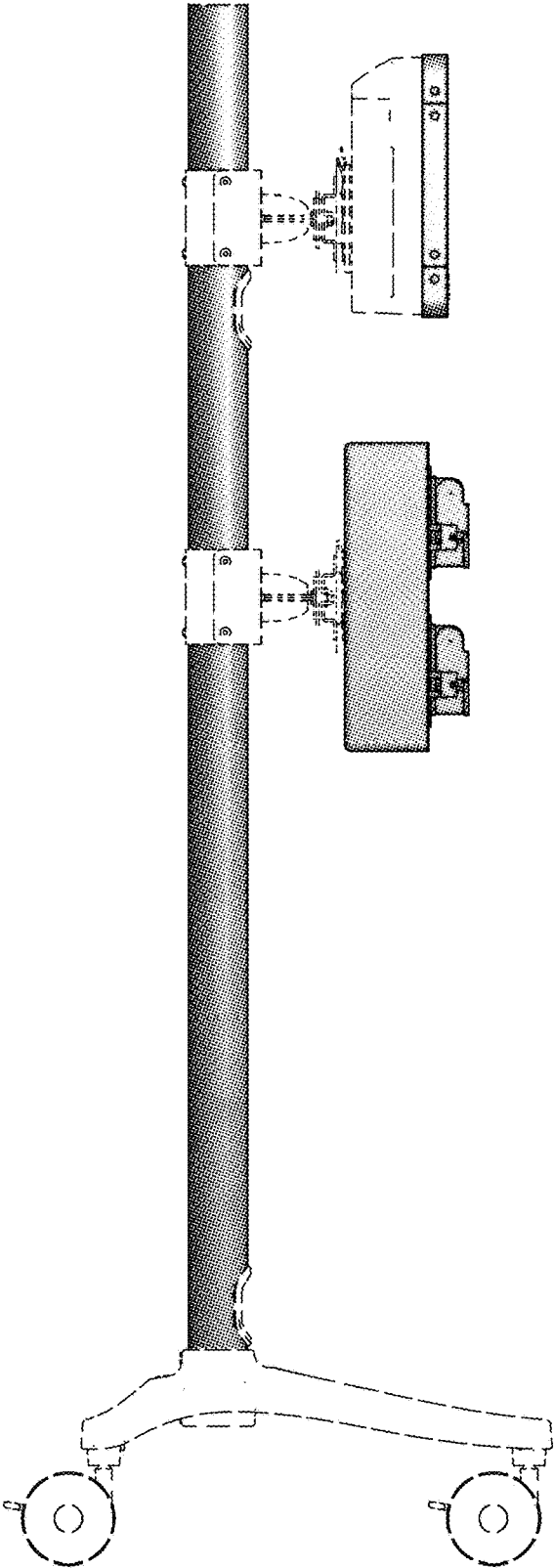




FIG 7

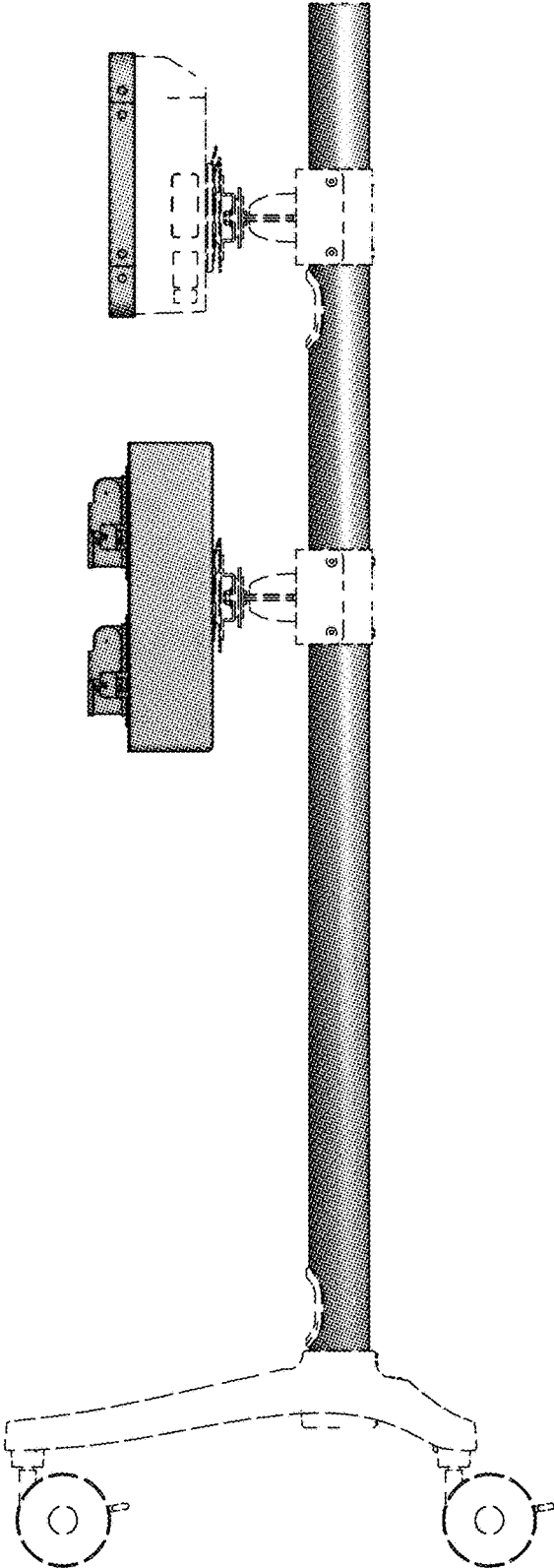


FIG 8

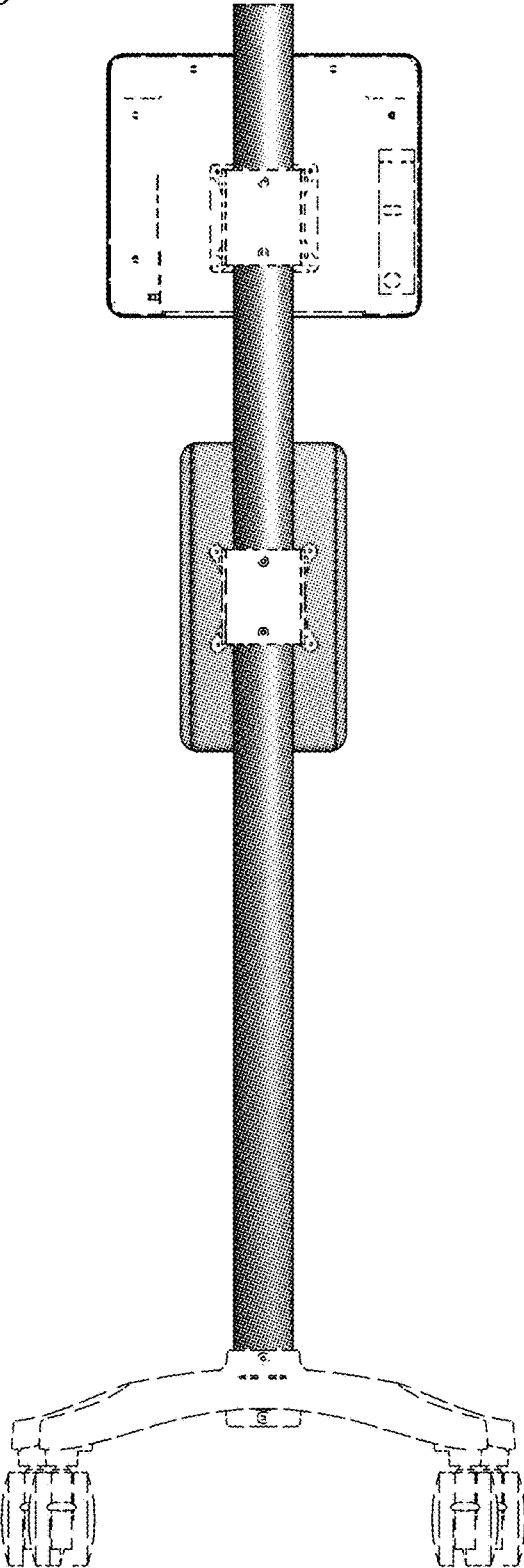
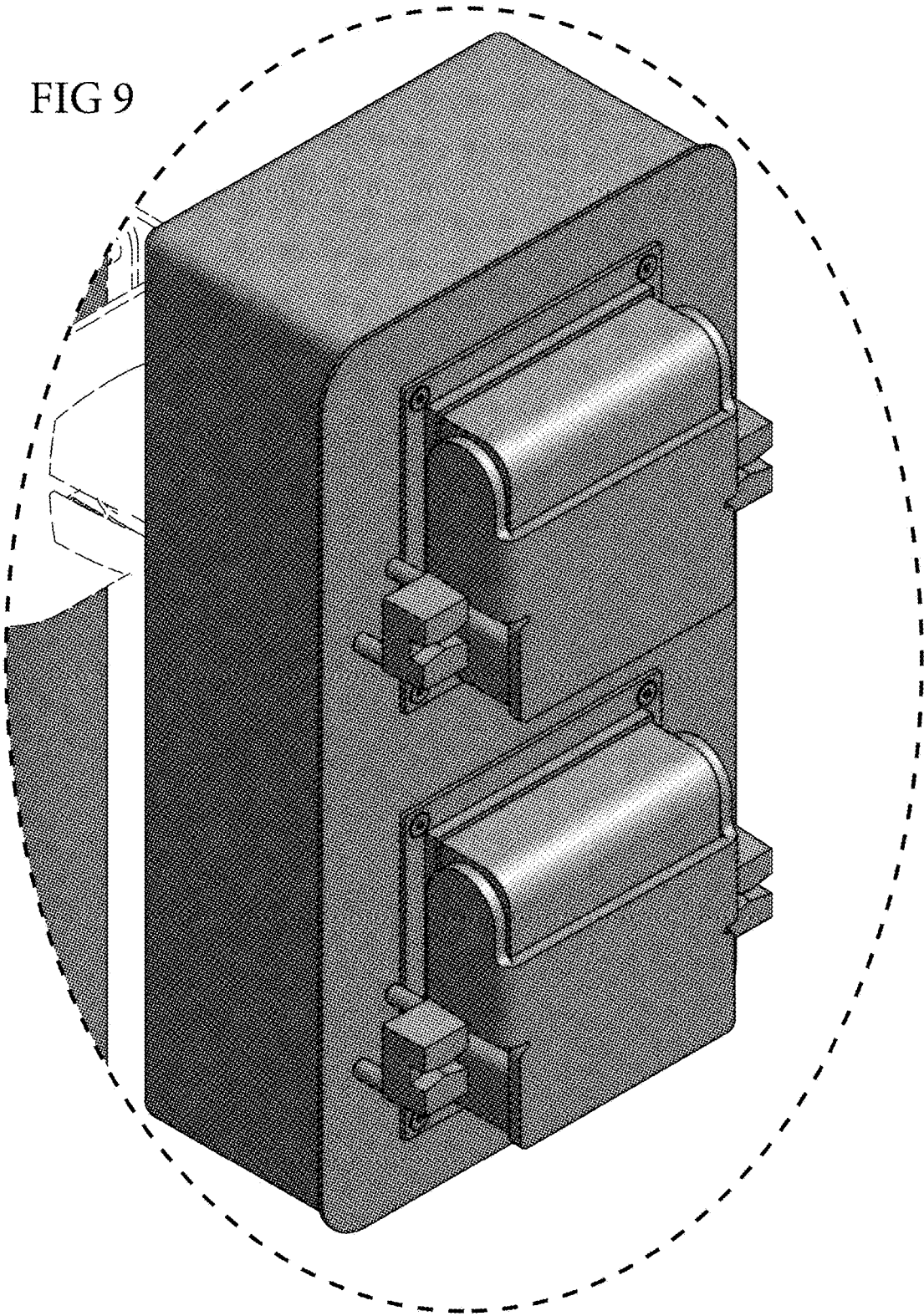


FIG 9



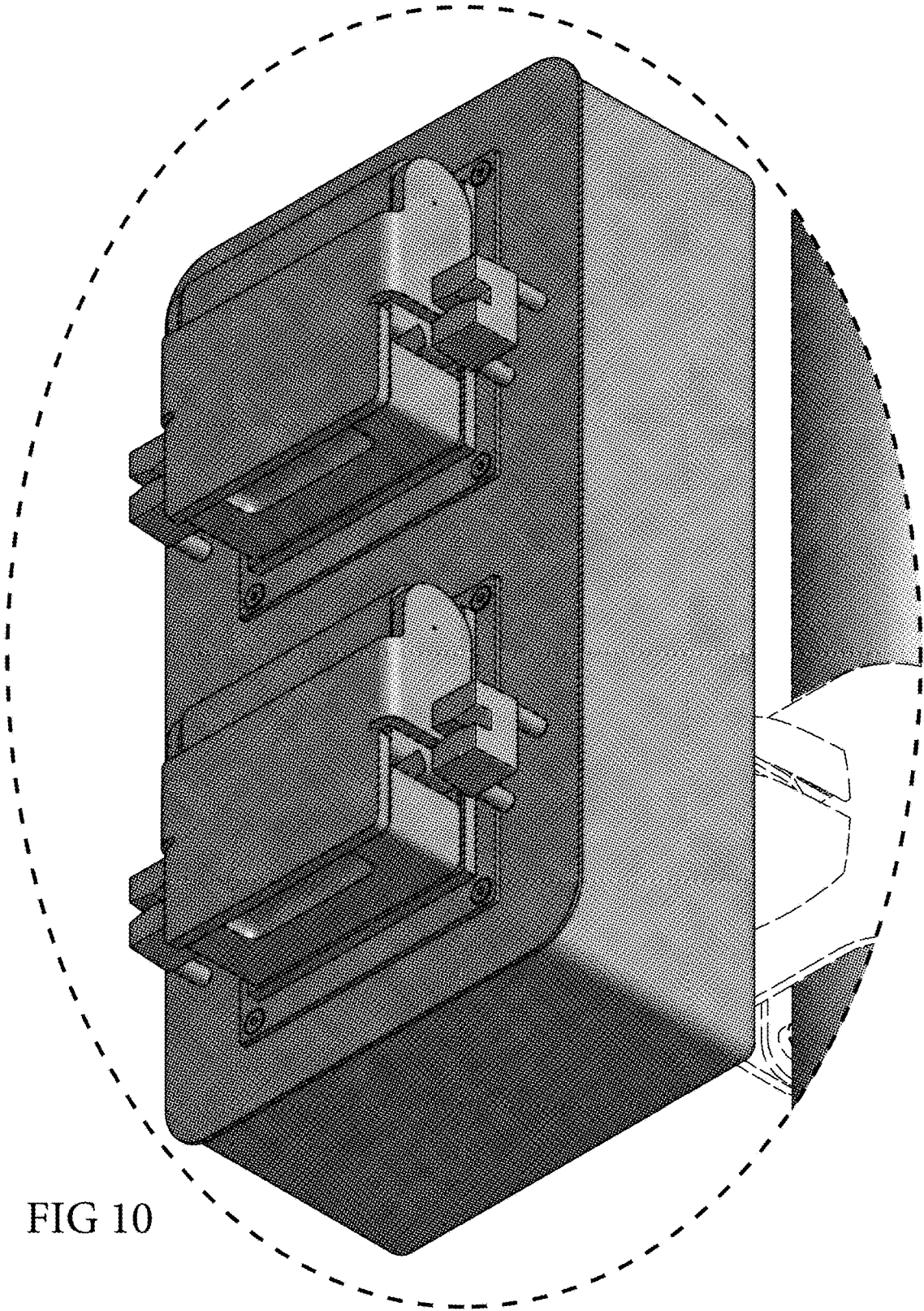


FIG 10