



US00D380146S

United States Patent [19] Park

[11] Patent Number: **Des. 380,146**

[45] Date of Patent: ****Jun. 24, 1997**

[54] **FRONT FACE OF A CONFECTIONERY PACKAGE**

2,745,596 5/1956 Lorenzsonn 229/87.08
4,305,501 12/1981 Collette 206/457

[75] Inventor: **Hyun Song Park**, Kyungki-do, Rep. of Korea

[73] Assignee: **Lotte Confectionery Co., Ltd.**, Rep. of Korea

[**] Term: **14 Years**

[21] Appl. No.: **44,751**

[22] Filed: **Sep. 29, 1995**

[51] **LOC (6) Cl.** **09-05**

[52] **U.S. Cl.** **D9/305**

[58] **Field of Search** D9/305, 335, 329,
D9/418; D5/20, 56; 206/457, 459.5; 229/922,
87.01, 87.06, 87.19, 904.1, 87.08, 116.5

[56] **References Cited**

U.S. PATENT DOCUMENTS

D. 92,259	5/1934	Kulander	D9/305
D. 339,740	9/1993	Lee	D9/305
D. 358,323	5/1995	Lee	D9/305
1,450,230	4/1923	Rook	229/116.5 X
1,792,572	2/1931	Buswell	229/904.1 X
2,240,072	4/1941	Hodgdon et al.	229/87.08 X

OTHER PUBLICATIONS

"Modern Packaging", Oct. 1975, p. 31, flexible wrappers for bakery products. Oct. 1975.

Primary Examiner—Prabhakar G. Deshmukh
Assistant Examiner—Cheri Cohen
Attorney, Agent, or Firm—Finnegan, Henderson, Farabow, Garrett & Dunner, L.L.P.

[57] **CLAIM**

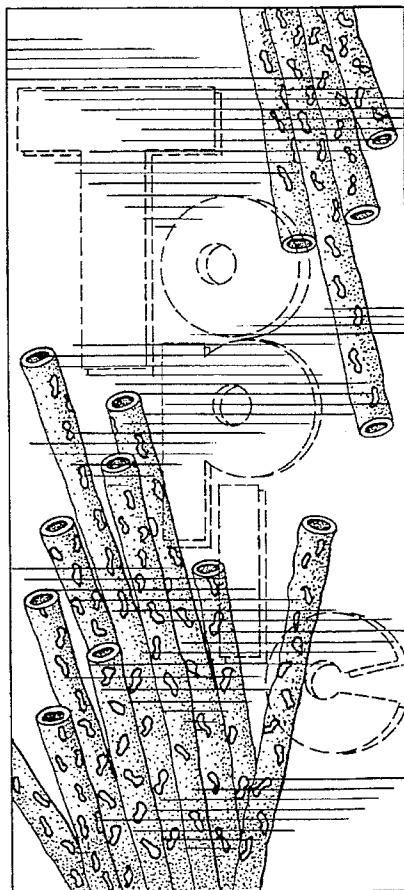
The ornamental design for a front face of a confectionery package, as shown and described.

DESCRIPTION

FIG. 1 is a top plan view of a front face of a confectionery package embodying my design; and, FIG. 2 is a top plan view of a second embodiment thereof. The front face of a confectionery package is of no appreciable thickness and the undisclosed bottom plan view is unornamented.

The broken lines shown in FIGS. 1 and 2 are for the purpose of showing environmental structure only and form no part of the claimed design.

1 Claim, 2 Drawing Sheets



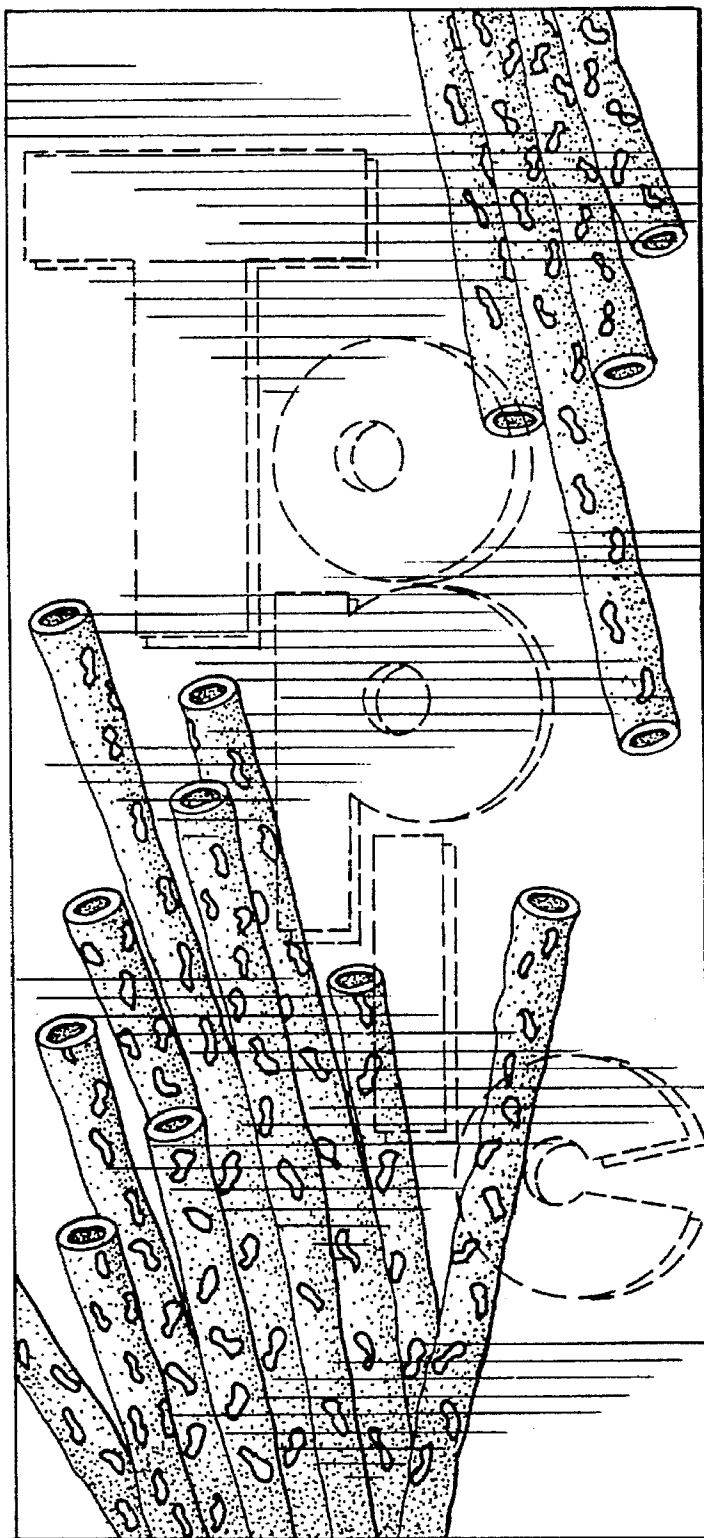


FIG. 1

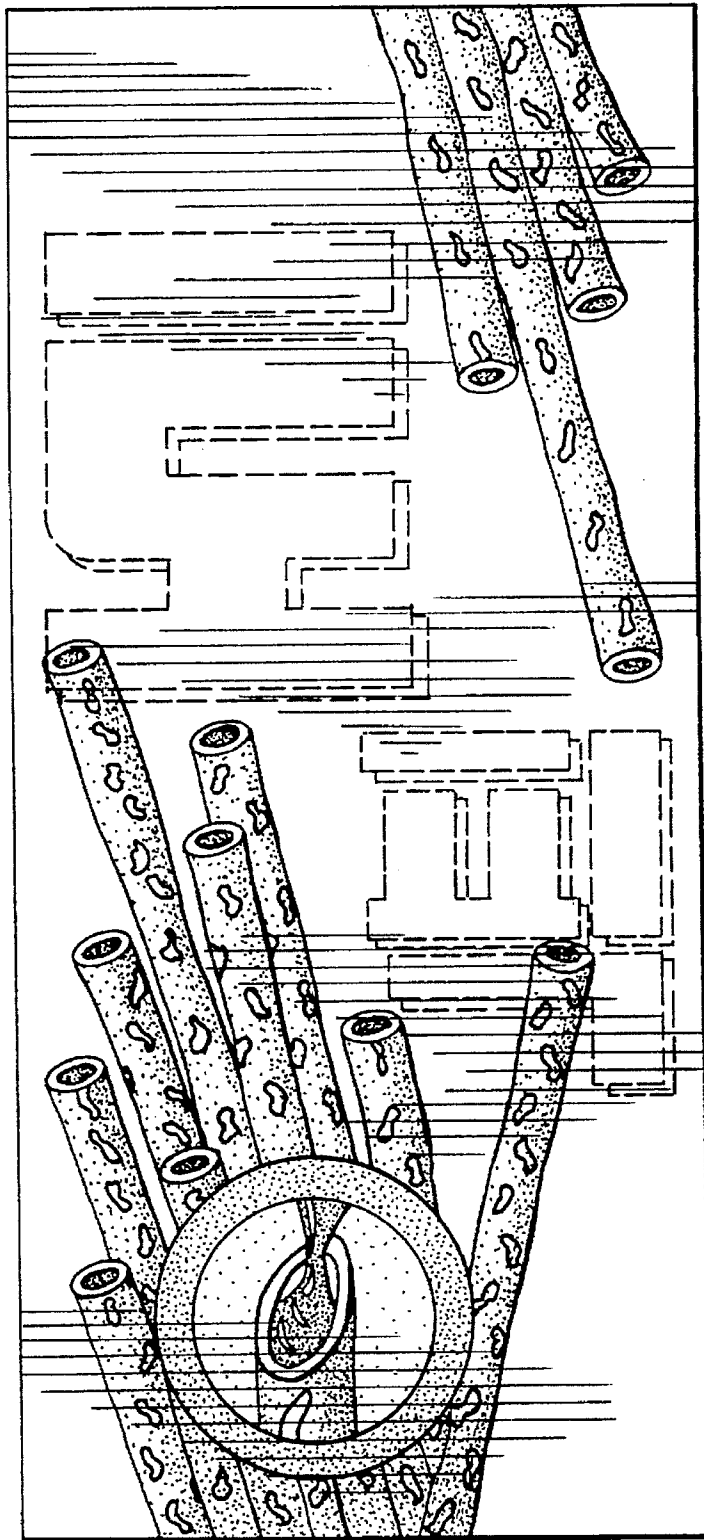


FIG. 2