



US00D416310S

# United States Patent [19]

[11] Patent Number: **Des. 416,310**

Uehara et al.

[45] Date of Patent: **\*\* Nov. 9, 1999**

[54] **PRESSURE REGULATOR**

[75] Inventors: **Teruo Uehara**, Ibaraki-ken; **Tohru Inohara**, Toride, both of Japan

[73] Assignee: **SMC Kabushiki Kaisha**, Tokyo, Japan

[\*\*] Term: **14 Years**

[21] Appl. No.: **29/086,355**

[22] Filed: **Apr. 10, 1998**

[30] **Foreign Application Priority Data**

Oct. 20, 1997 [JP] Japan ..... 9-72064

D. 398,955 9/1998 Shimizu ..... D23/235  
 D. 399,922 10/1998 Uehara ..... D23/235  
 2,777,456 1/1957 Ey ..... 137/505  
 5,186,209 2/1993 McManigal et al. .... 137/505.42  
 5,542,741 8/1996 Tomita et al. .... 137/505

*Primary Examiner*—Alan P. Douglas  
*Assistant Examiner*—Robin V. Taylor  
*Attorney, Agent, or Firm*—Frishauf, Holtz, Goodman, Langer & Chick

### CLAIM

[57] The ornamental design for pressure regulator, as shown and described.

### DESCRIPTION

[51] **LOC (6) Cl.** ..... **23-01**  
 [52] **U.S. Cl.** ..... **D23/235**  
 [58] **Field of Search** ..... D23/233–235,  
 D23/244–245; 137/505, 505.42, 116.3

FIG. 1 is a top and front perspective view of pressure regulator, showing our new design;  
 FIG. 2 is a top plan view thereof;  
 FIG. 3 is a front view thereof;  
 FIG. 4 is a right side view thereof, left side view being a mirror image of the right side view shown;  
 FIG. 5 is a bottom plan view thereof; and,  
 FIG. 6 is a rear view thereof.

[56] **References Cited**

U.S. PATENT DOCUMENTS

D. 301,917 6/1989 Ogasawara ..... D23/235  
 D. 317,494 6/1991 Miyaka et al. .... D23/235

**1 Claim, 2 Drawing Sheets**

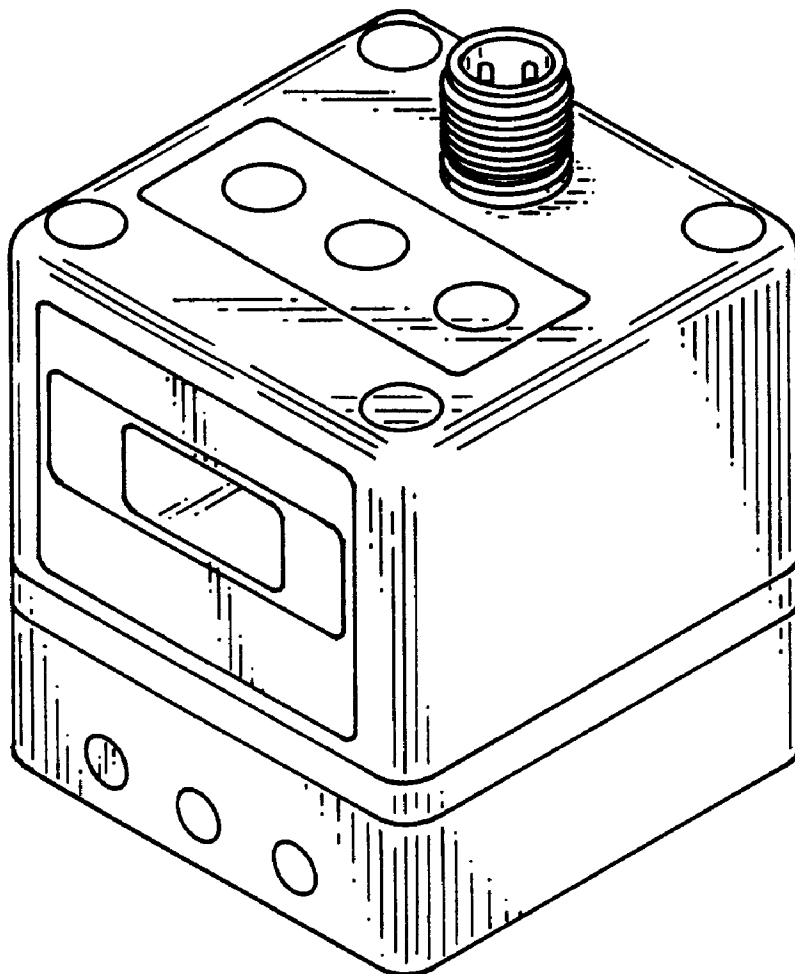


FIG. 1

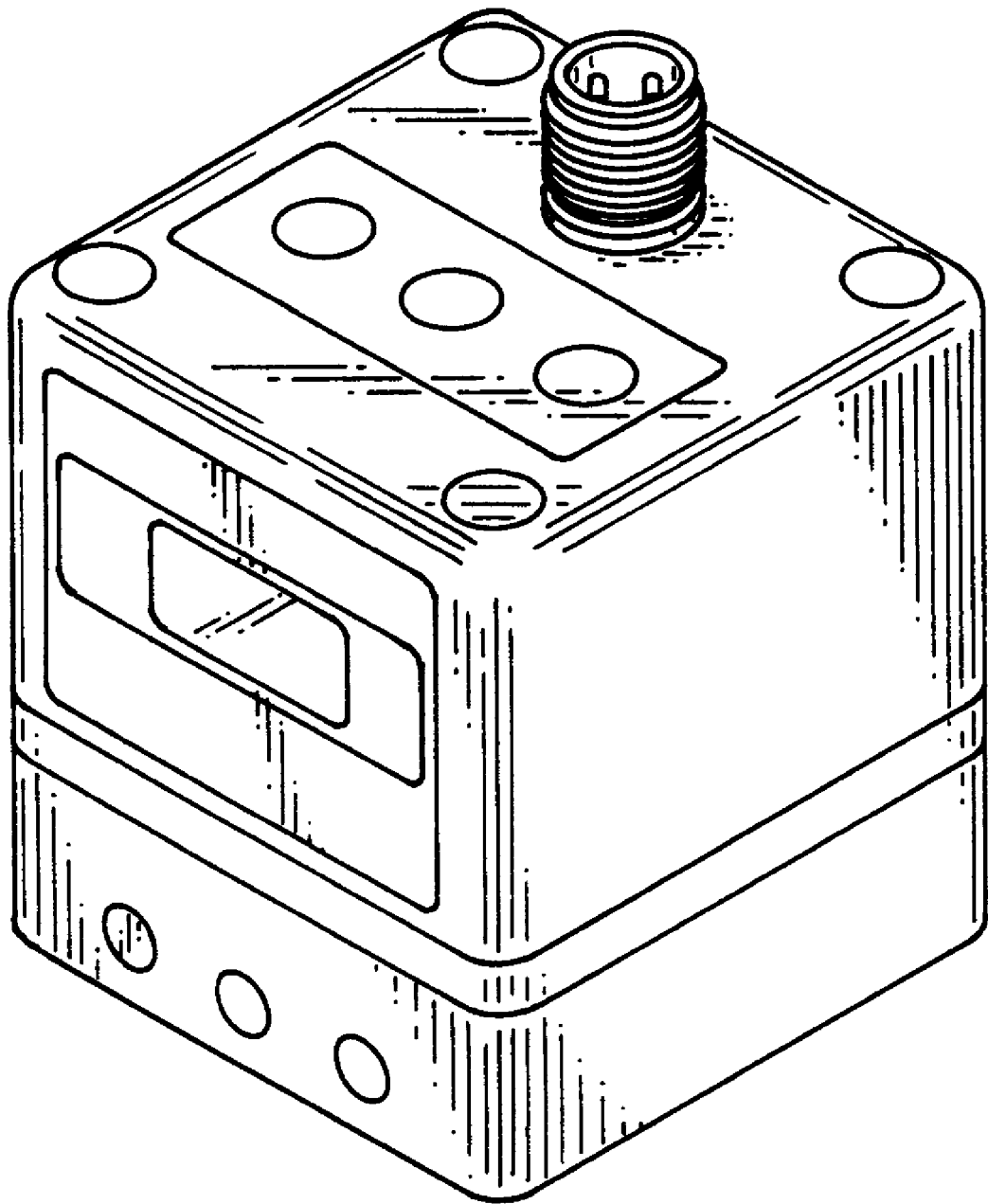


FIG. 2

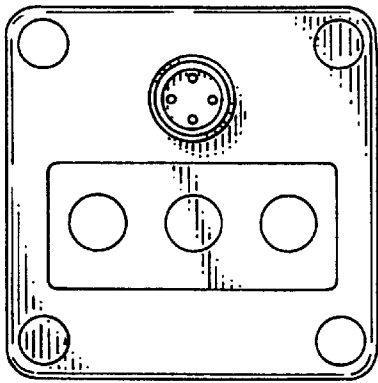


FIG. 3

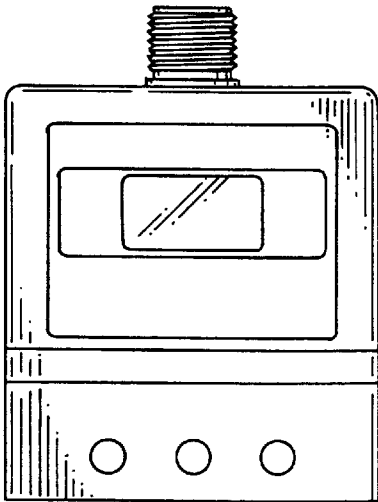


FIG. 4

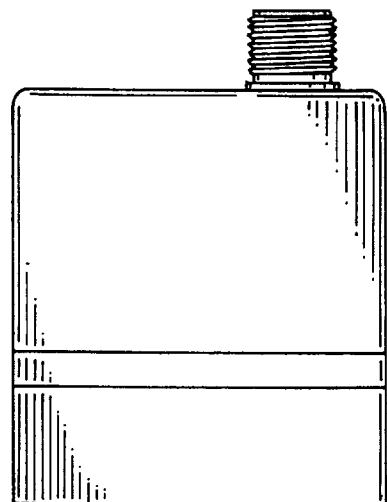


FIG. 5

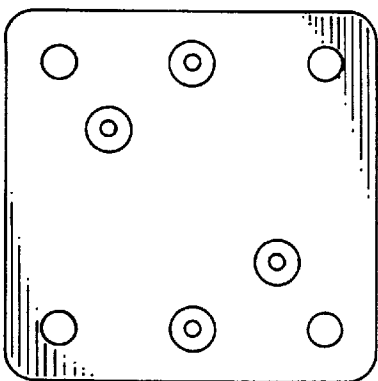


FIG. 6

