



US00D799747S

(12) **United States Design Patent**  
**Champion**

(10) **Patent No.:** **US D799,747 S**

(45) **Date of Patent:** **\*\* Oct. 10, 2017**

(54) **MOUTHPIECE FOR AN ELECTRONIC CIGARETTE**

(71) Applicant: **Champion Southwest Enterprises, LLC, Austin, TX (US)**

(72) Inventor: **Adam Champion, Austin, TX (US)**

(\*\*) Term: **14 Years**

(21) Appl. No.: **29/515,232**

(22) Filed: **Jan. 21, 2015**

(51) **LOC (10) Cl.** ..... **27-02**

(52) **U.S. Cl.**

USPC ..... **D27/169; D27/170**

(58) **Field of Classification Search**

USPC ..... D27/101, 162, 163-170, 172; D24/110, D24/110.5; D23/360

CPC ..... A61M 15/06; A24F 47/00; A24F 47/002; A24F 47/004; A24F 47/006; A24F 47/008; A24F 7/00; A24F 7/02; A24F 7/04

See application file for complete search history.

(56) **References Cited**

**U.S. PATENT DOCUMENTS**

D658,807 S *	5/2012	Aboushi .....	D27/169
D710,488 S *	8/2014	Alima .....	D23/363
D726,364 S *	4/2015	Weigensberg .....	D27/101
D738,038 S *	9/2015	Smith .....	D27/170
D740,488 S *	10/2015	Leidel .....	D27/167
D743,622 S *	11/2015	Alima .....	D27/167
D744,696 S *	12/2015	Malhi .....	D27/169
D747,546 S *	1/2016	Liu .....	D27/101
D747,547 S *	1/2016	Liu .....	D27/101

2015/0150306 A1*	6/2015	Chen .....	A24F 47/008 131/329
2016/0007648 A1*	1/2016	Sutton .....	A24F 7/02 131/187
2016/0113327 A1*	4/2016	Wu .....	H05B 3/06 131/329

\* cited by examiner

*Primary Examiner* — Janice Hallmark

(74) *Attorney, Agent, or Firm* — Mitchell Law PLLC; Matthew W. Mitchell

(57) **CLAIM**

The ornamental design for a mouthpiece for an electronic cigarette, as shown and described.

**DESCRIPTION**

FIG. 1 is a front perspective view of the mouthpiece for an electronic cigarette showing my new design in an unassembled configuration;

FIG. 2 is a front perspective view thereof in an assembled configuration;

FIG. 3 is a front elevational view thereof in an assembled configuration;

FIG. 4 is side elevational view thereof, as seen from the right side of FIG. 3;

FIG. 5 is a side elevational view thereof, as seen from the left side of FIG. 3;

FIG. 6 is an exploded side perspective view thereof;

FIG. 7 is a side perspective view thereof in an assembled configuration;

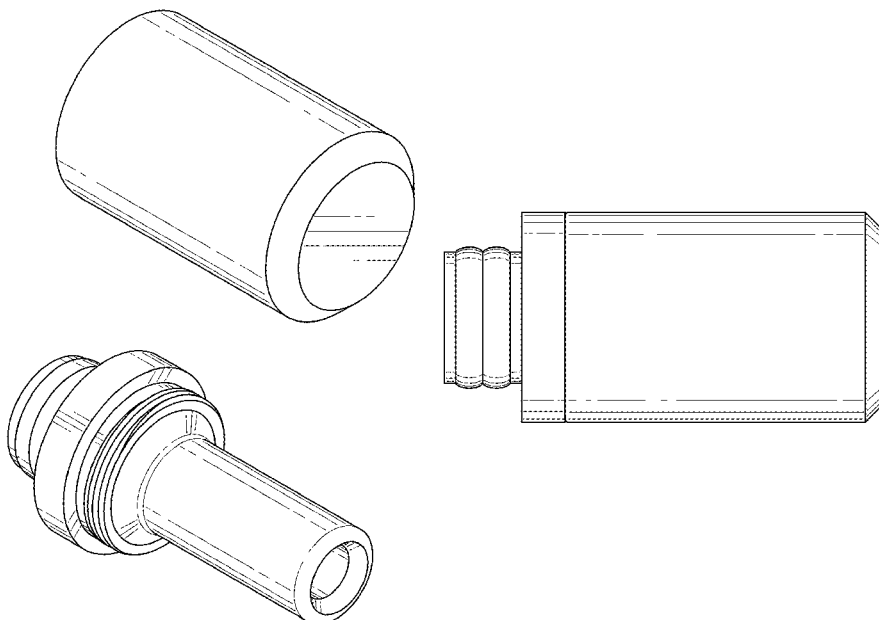
FIG. 8 is a front perspective view of a second embodiment of the mouthpiece for an electronic cigarette in an unassembled configuration;

FIG. 9 is a front perspective view thereof in an assembled configuration; and,

FIG. 10 is a front view thereof in an assembled configuration.

In FIG. 6 and FIG. 7, the broken lines depict environmental subject matter that forms no part of the claimed design.

**1 Claim, 9 Drawing Sheets**



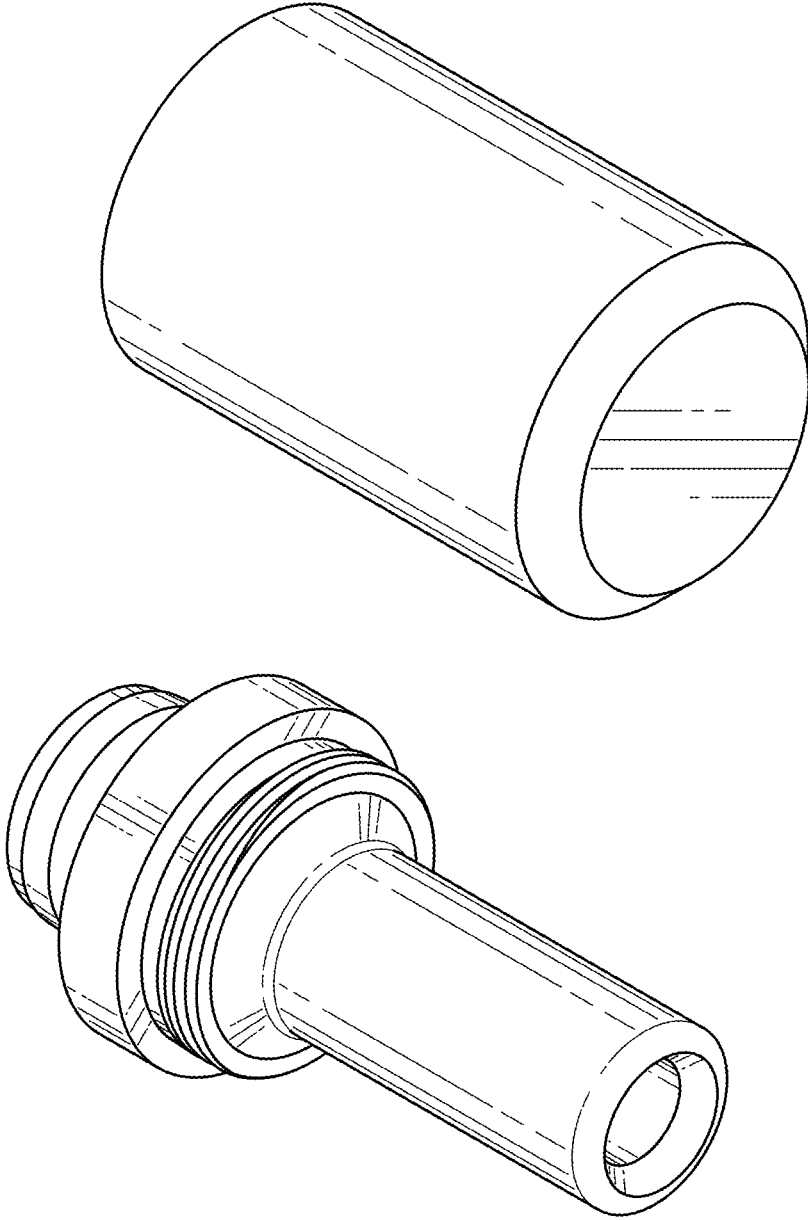


FIG. 1

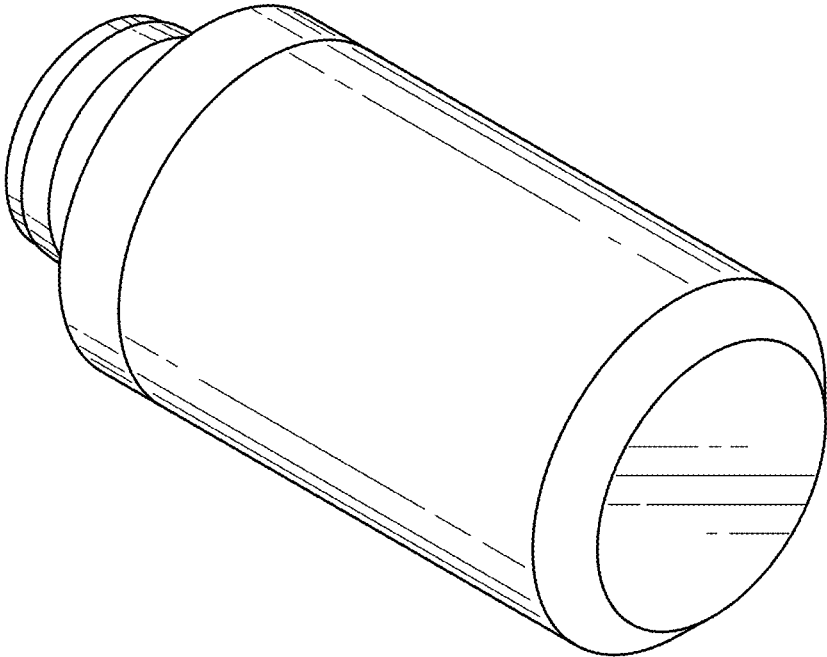


FIG. 2

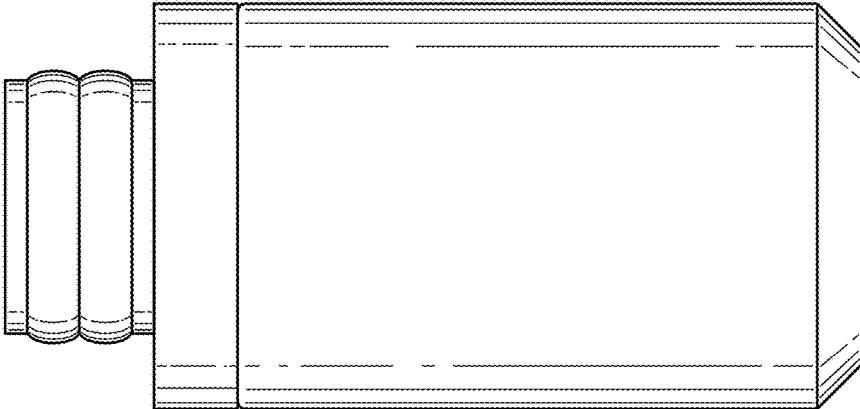


FIG. 3

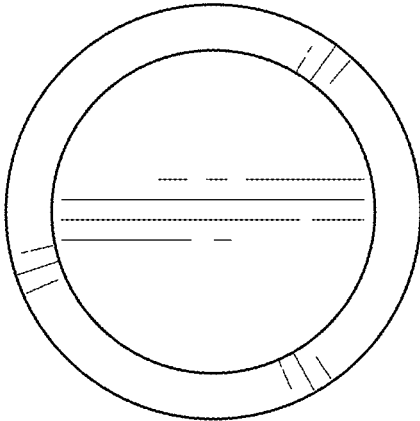


FIG. 4

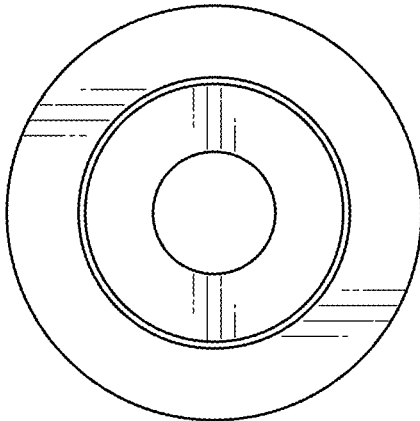


FIG. 5

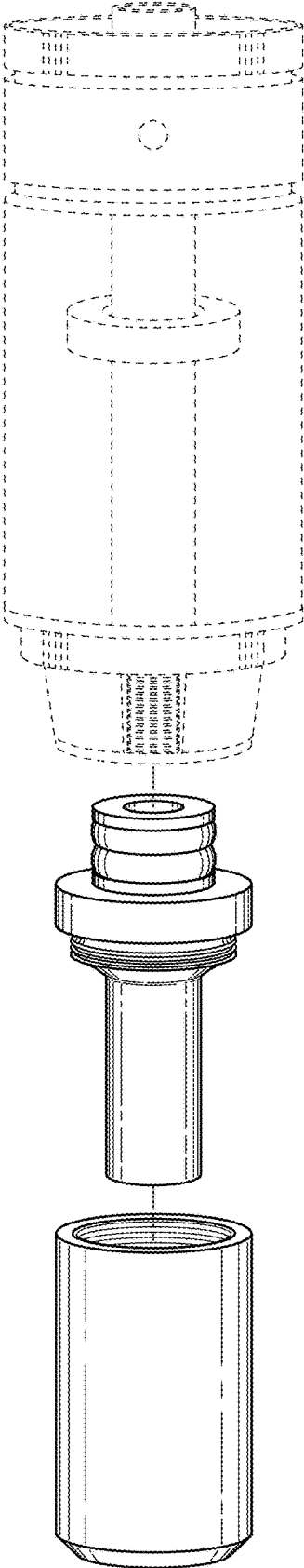


FIG. 6

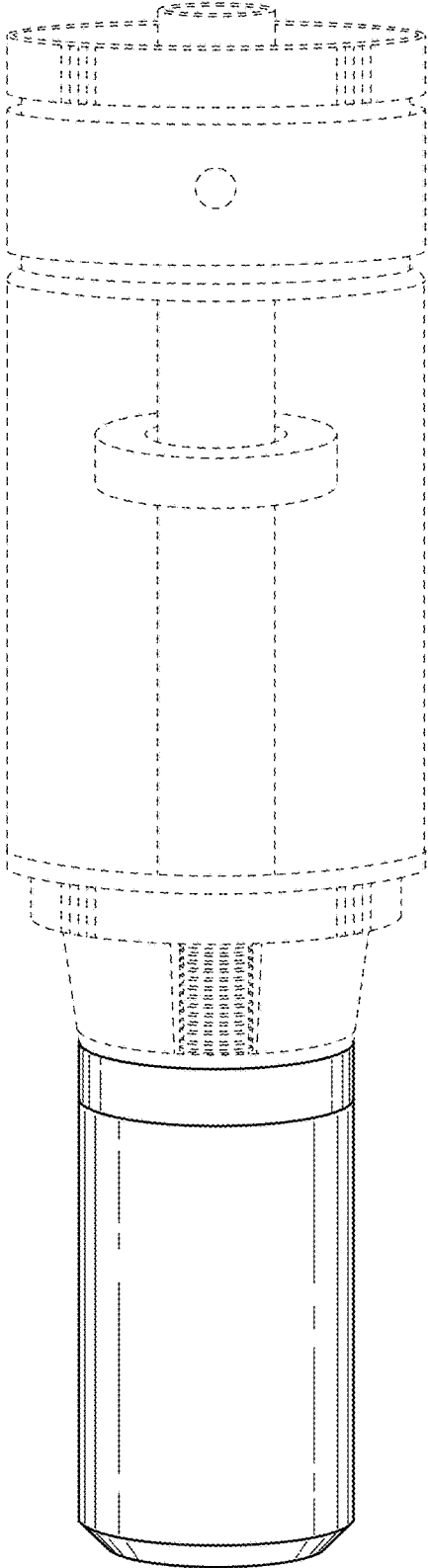


FIG. 7

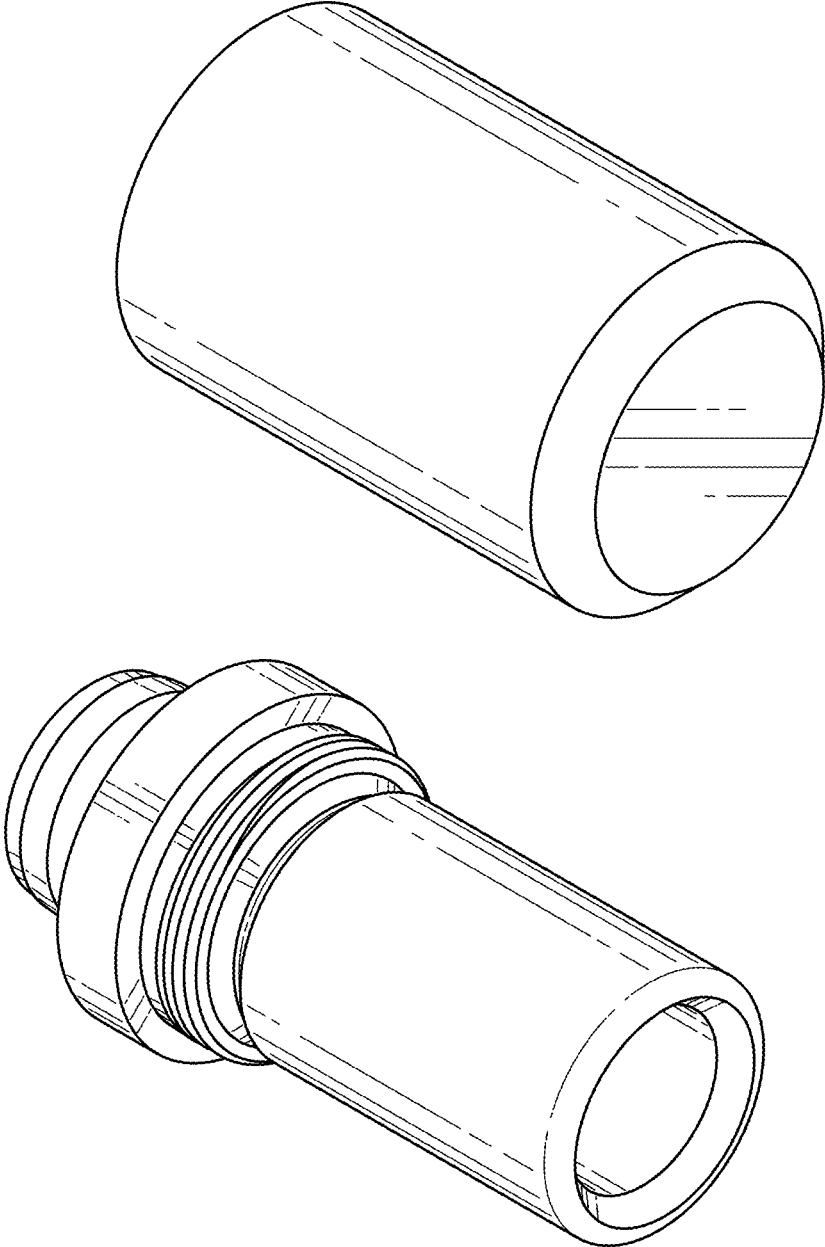


FIG. 8



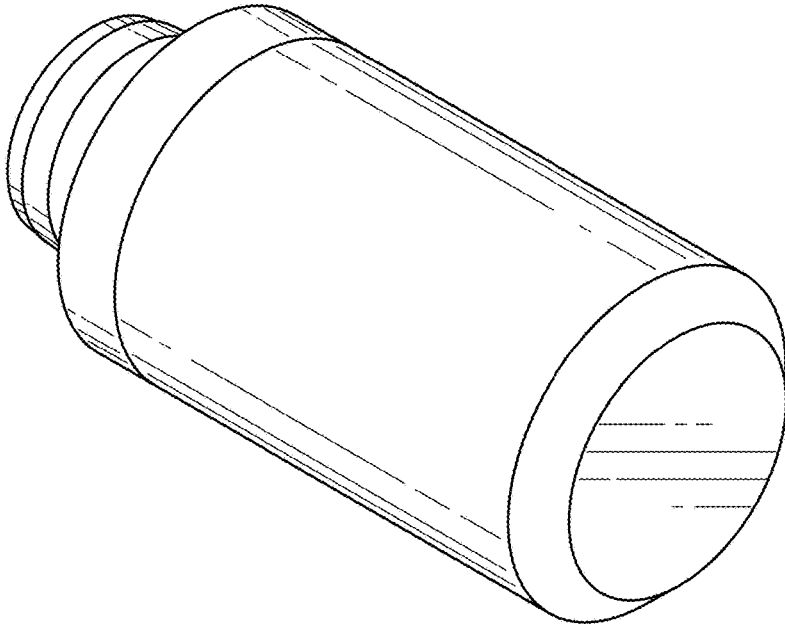


FIG. 9

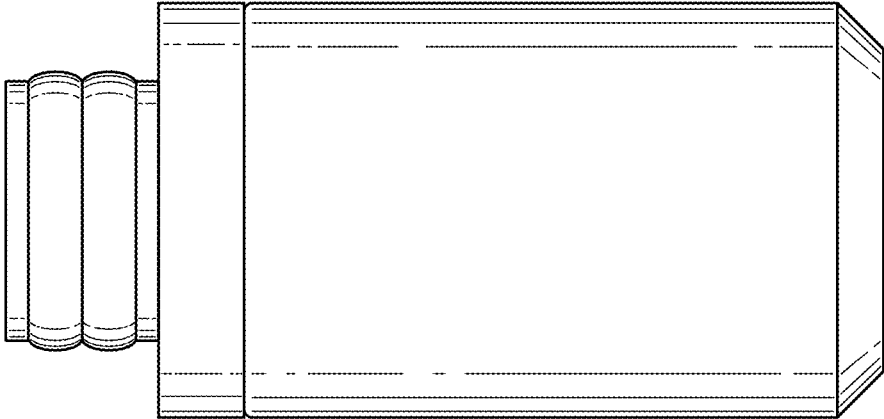


FIG. 10