



US0D1018945S

(12) **United States Design Patent**
Yeo et al.

(10) **Patent No.:** **US D1,018,945 S**

(45) **Date of Patent:** **** Mar. 19, 2024**

(54) **LIGHTING FIXTURE**

FOREIGN PATENT DOCUMENTS

(71) Applicant: **Fusion Optix, Inc.**, Woburn, MA (US)

CN 303897409 * 10/2016
CN 305105436 * 4/2019

(72) Inventors: **Terence Yeo**, Boston, MA (US);
Timothy Kelly, Brookline, MA (US)

OTHER PUBLICATIONS

(73) Assignee: **Fusion Optix, Inc.**, Woburn, MA (US)

LED High Bay—6-Lamp T5HO Equal , available in beeslighting.com, customer review oldest date Nov. 1, 2018 [online], [site visited Nov. 4, 2022], Available from the internet URL: <https://www.beeslighting.com/GLT-High-Bay-Lights-MLH-24L-UV-50K-D10?page=2> (Year: 2018).*

(**) Term: **15 Years**

(21) Appl. No.: **29/800,901**

(Continued)

(22) Filed: **Jul. 23, 2021**

(51) **LOC (14) Cl.** **26-04**

Primary Examiner — Kathleen L Jones

(52) **U.S. Cl.**
USPC **D26/76**

Assistant Examiner — Jasmine L. Comedy

(58) **Field of Classification Search**
USPC D26/24, 51, 72–80, 89, 118, 120;
362/223, 217.01
CPC F21S 8/04; F21S 8/033; F21S 8/03; H05B
47/165; F21V 15/01
See application file for complete search history.

(57) **CLAIM**

The ornamental design for a lighting fixture, as shown.

DESCRIPTION

(56) **References Cited**

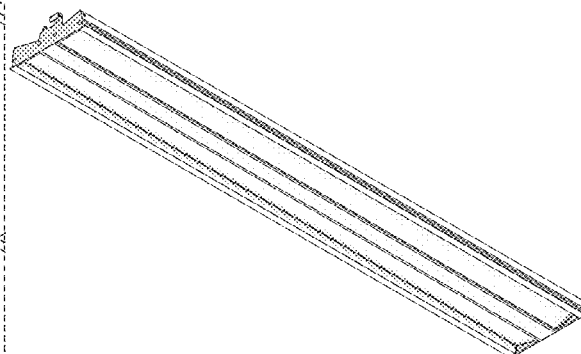
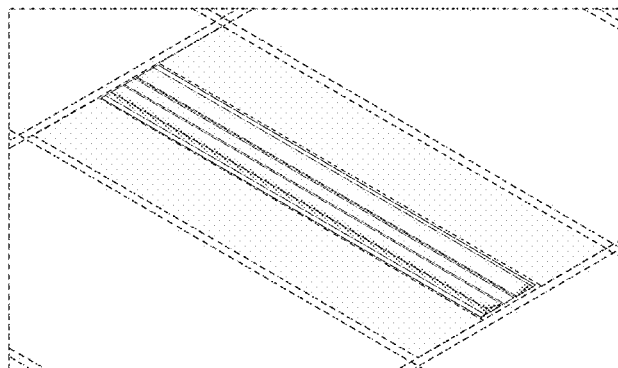
U.S. PATENT DOCUMENTS

D306,773 S *	3/1990	Roulstone	D26/78
D596,778 S *	7/2009	Yamazato	D26/76
D604,002 S *	11/2009	Santoro	D26/76
D617,489 S *	6/2010	Santoro	D26/76
D662,643 S *	6/2012	Takahashi	D26/76
D678,597 S *	3/2013	Lehman	D26/120
D697,652 S *	1/2014	Savani	D26/76
D703,858 S *	4/2014	Miller	D26/76
D723,206 S *	2/2015	Lewis, Jr.	D26/72
D759,874 S *	6/2016	Boyer	D26/76
D780,974 S *	3/2017	Scribante	D26/76
D796,104 S *	8/2017	Blankenship	D26/74
D819,861 S *	6/2018	Scribante	D26/76
D819,862 S *	6/2018	Deng	D26/76
D830,603 S *	10/2018	Luo	D26/74
D833,663 S *	11/2018	Stromborg	D26/74

(Continued)

FIG. 1 is a bottom side perspective view of the new lighting fixture as installed in a ceiling grid.
FIG. 2 is a bottom side perspective view of the new lighting fixture.
FIG. 3 is a top side perspective view of the new lighting fixture.
FIG. 4 is a bottom plan view of the new lighting fixture as installed in a ceiling grid.
FIG. 5 is a bottom plan view of the new lighting fixture.
FIG. 6 is a top view plan view of the new lighting fixture.
FIG. 7 is a transverse side view of the new lighting fixture; and,
FIG. 8 is a longitudinal end view of the new lighting fixture. The broken lines illustrate environment and form no part of the claimed design.

1 Claim, 8 Drawing Sheets



(56)

References Cited

U.S. PATENT DOCUMENTS

D919,157 S * 5/2021 Wu D26/76
D969,383 S * 11/2022 Zheng D26/76

OTHER PUBLICATIONS

Aura 1x4 recessed, available in axislighting.com, announced Aug. 2019 [online], [site visited Nov. 4, 2022], Internet URL: https://lightaz.com/led-luminaire-details?f=AXS_AULED14_QS (Year: 2019).*

Newest linear led high bays warehouse lighting, announced in YouTube on Aug. 7, 2020 [online], [site visited Nov. 4, 2022], Available from the internet URL: <https://www.youtube.com/watch?v=FXiE14nqOgY> (Year: 2020).*

* cited by examiner

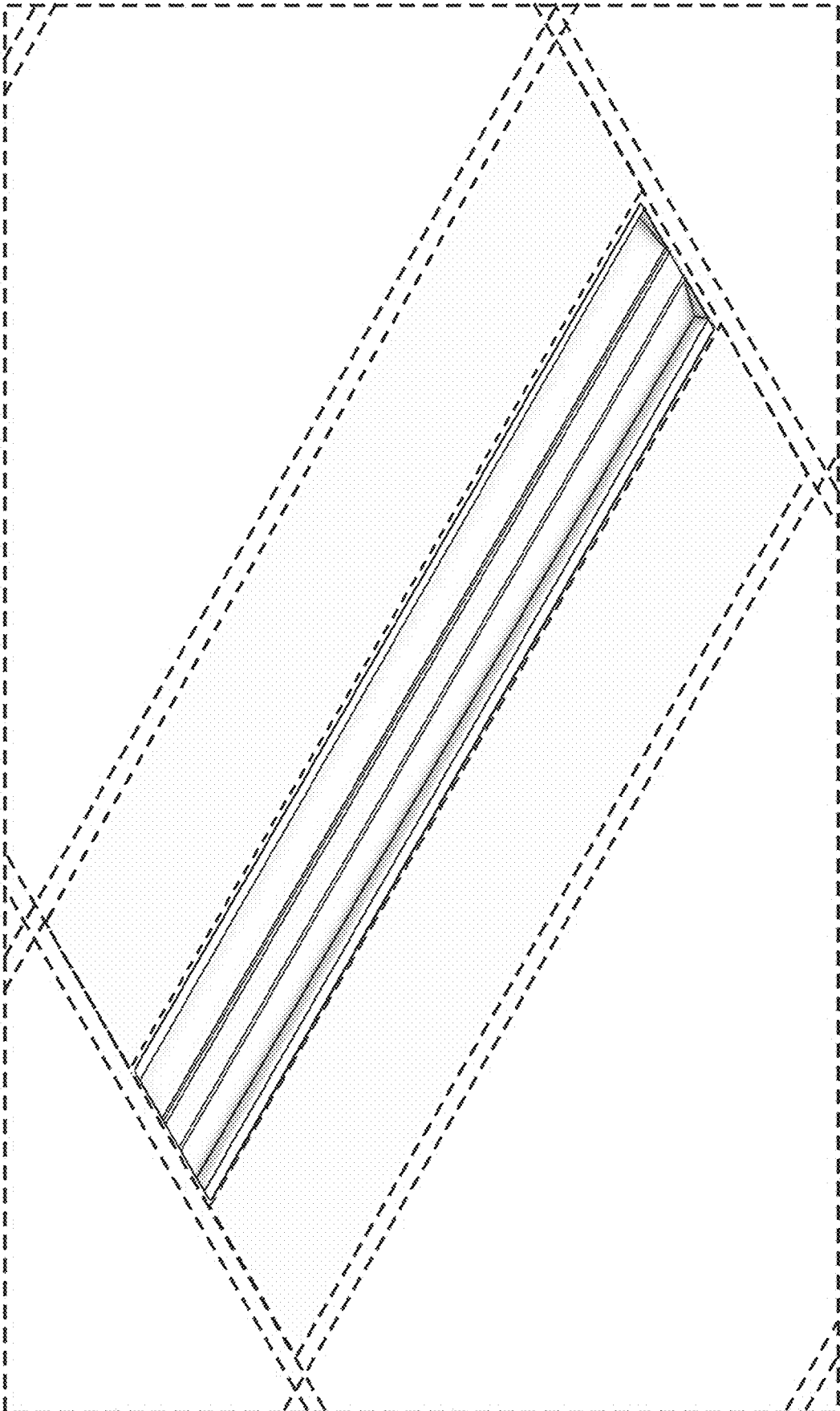


Fig. 1

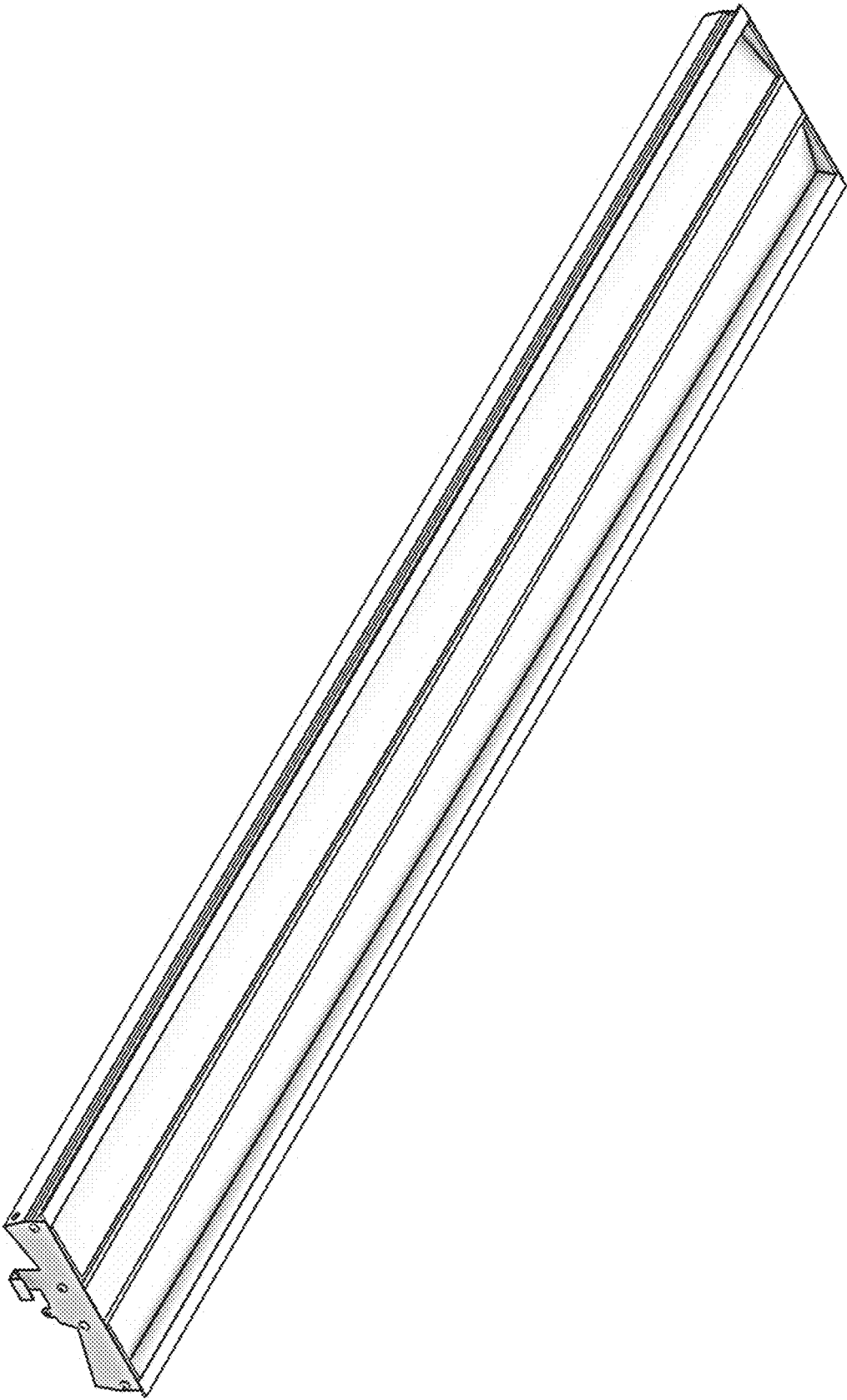


Fig. 2

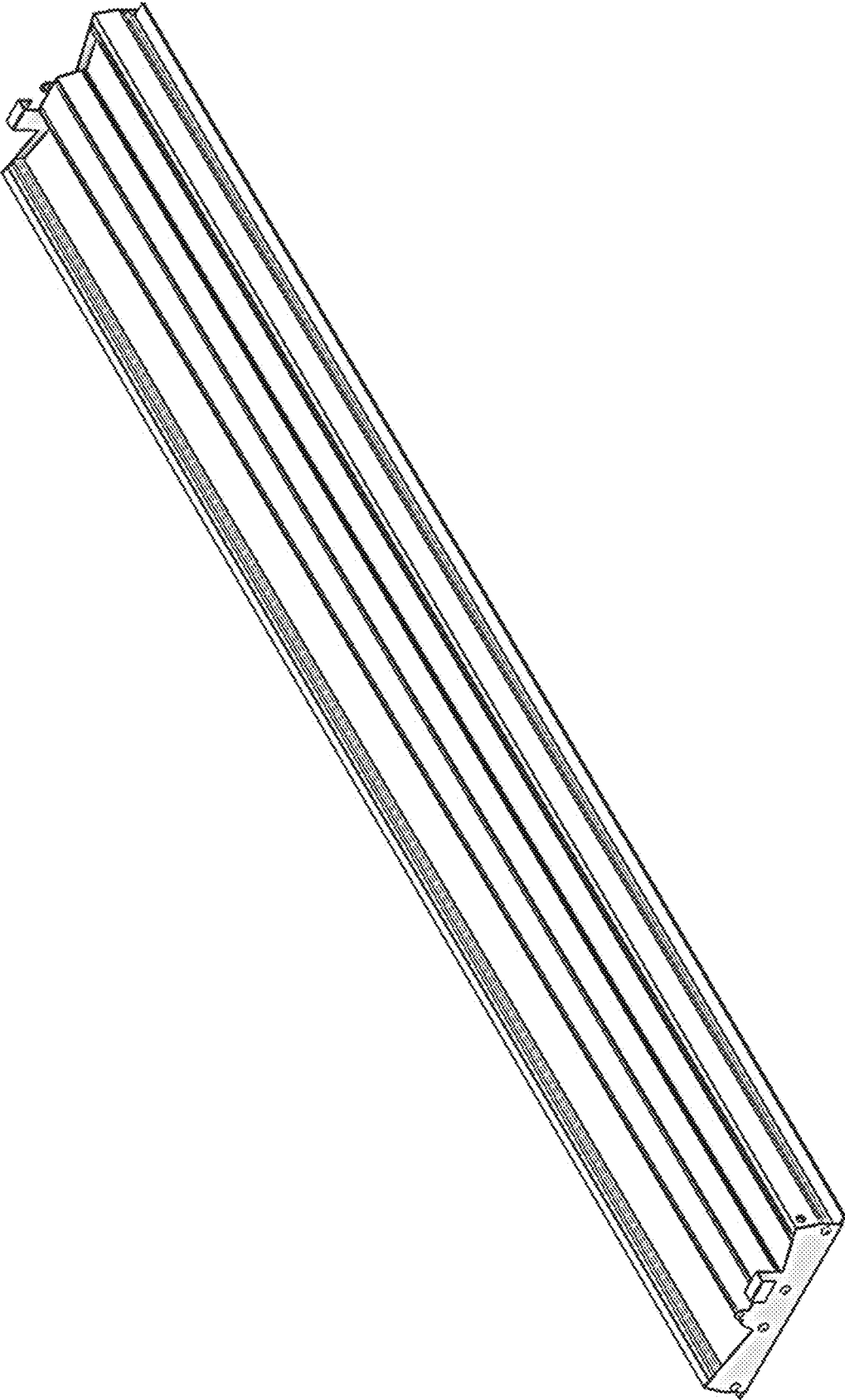


Fig. 3

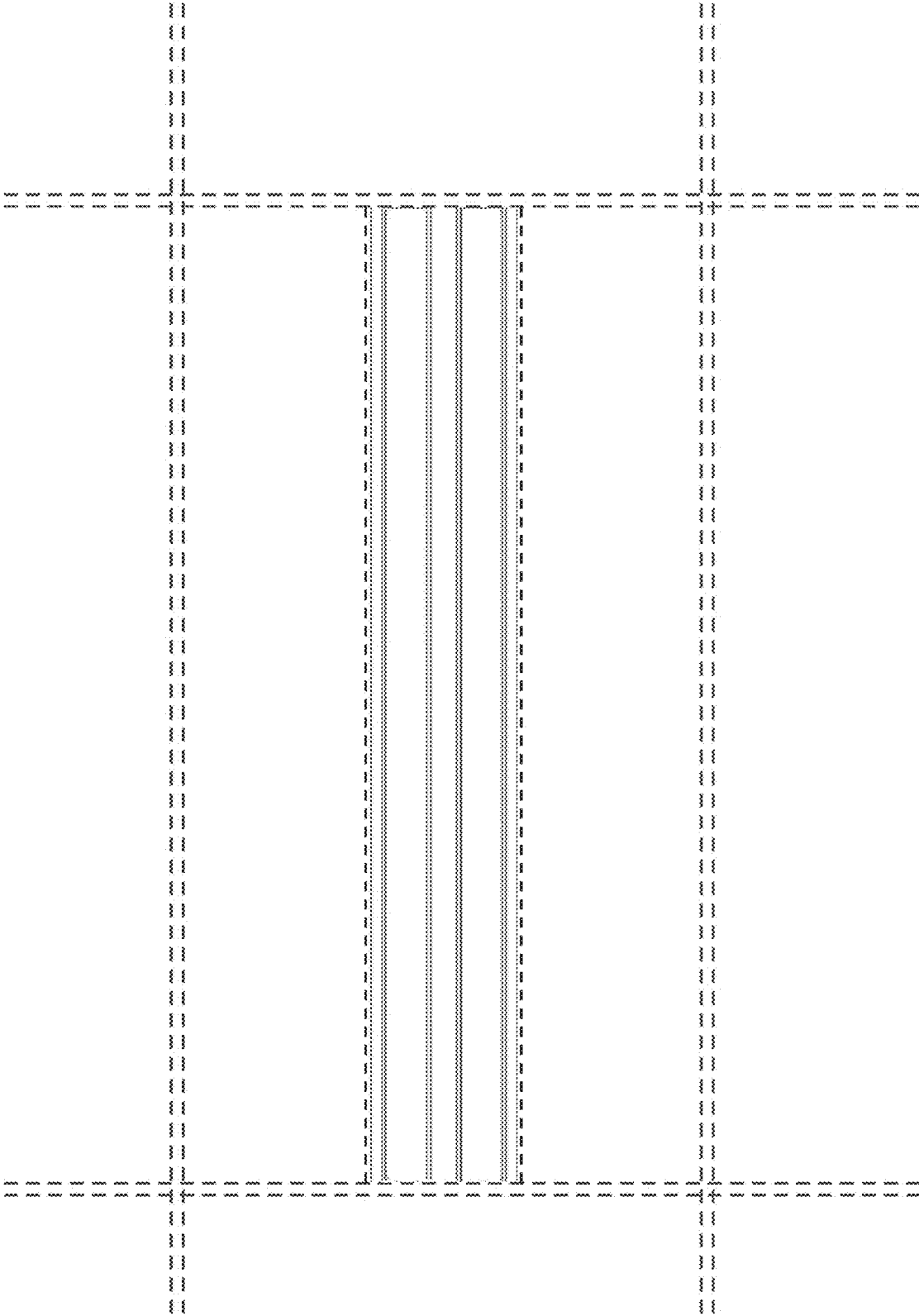


Fig. 4

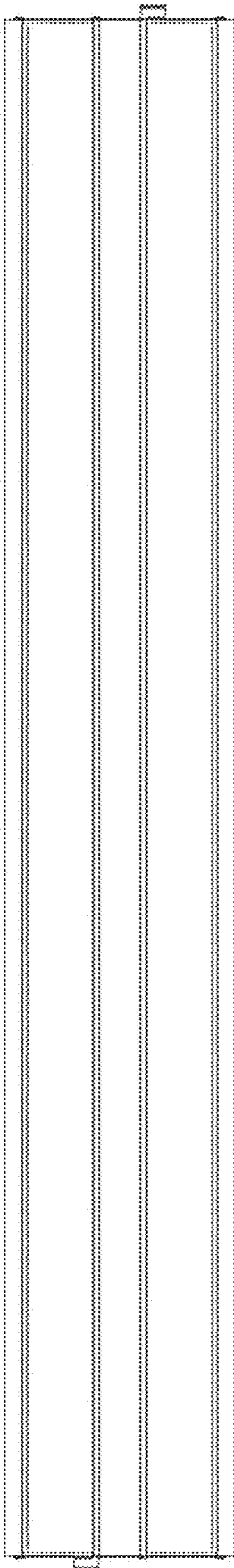


Fig. 5

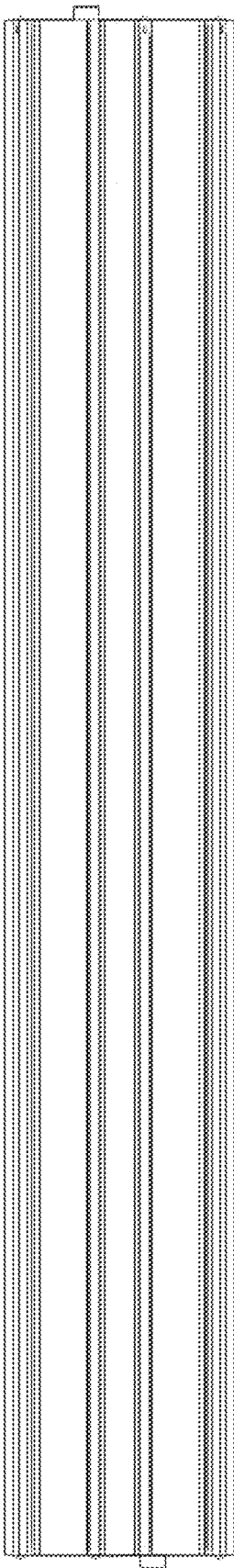


Fig. 6

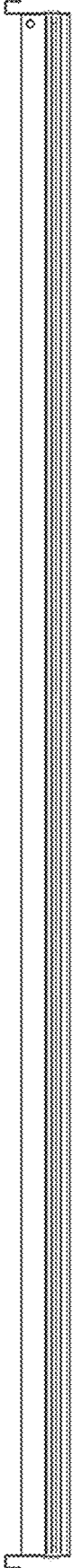


Fig. 7

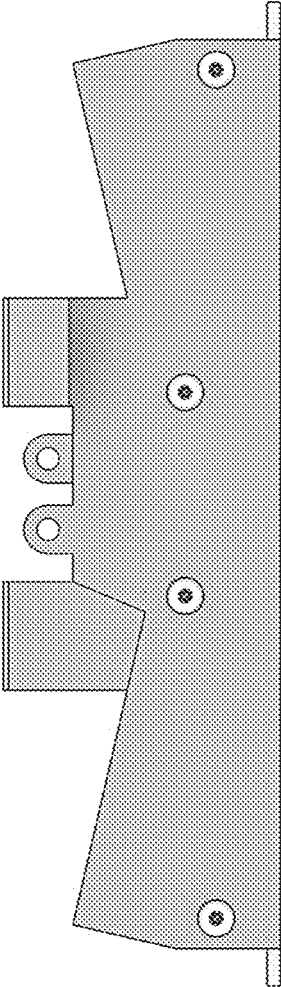


Fig. 8