



US00D804865S

(12) **United States Design Patent**
Laskowitz et al.

(10) **Patent No.:** **US D804,865 S**

(45) **Date of Patent:** **** Dec. 12, 2017**

- (54) **DISPLAY UNIT**
- (71) Applicant: **Target Brands, Inc.**, Minneapolis, MN (US)
- (72) Inventors: **Adam M. Laskowitz**, San Francisco, CA (US); **Faith J. Hutchinson**, Berkeley, CA (US); **Patricia S. Adler**, Oakland, CA (US); **Brett S. Bowman**, San Francisco, CA (US)
- (73) Assignee: **Target Brands, Inc.**, Minneapolis, MN (US)
- (**) Term: **15 Years**
- (21) Appl. No.: **29/602,997**
- (22) Filed: **May 5, 2017**

2,150,222 A	3/1939	Hoffman	
2,434,860 A *	1/1948	Oxley	A47G 1/141 248/444.1
2,538,966 A *	1/1951	Flannery	A47F 5/04 211/55
3,003,646 A *	10/1961	Wolf	A47F 5/04 211/107
3,983,821 A *	10/1976	Kearns	A47B 23/00 108/42
4,611,865 A *	9/1986	Daws	A47F 7/147 312/114
4,936,471 A *	6/1990	Walter	A47F 5/106 211/182
5,039,043 A *	8/1991	Hodge	B01L 9/00 248/125.8
5,085,427 A *	2/1992	Finn	A47B 23/02 248/441.1
D324,462 S *	3/1992	Karnaze	248/441.1
5,121,891 A *	6/1992	Goldsmith	A47B 13/023 108/150

(Continued)

Related U.S. Application Data

- (62) Division of application No. 29/562,465, filed on Apr. 26, 2016, now Pat. No. Des. 789,121.
- (51) **LOC (10) Cl.** **06-04**
- (52) **U.S. Cl.**
USPC **D6/681.1**
- (58) **Field of Classification Search**
USPC D6/681, 681.1, 681.2, 313, 682, 682.5,
D6/700, 701, 314, 708.16, 708.17, 310;
D20/10, 41
CPC Y10S 40/00; G09F 7/18; G09F 2007/1804;
A47B 2023/008; A47G 1/14; A47G
1/141; A47G 1/0638; A45F 3/44
See application file for complete search history.

References Cited

U.S. PATENT DOCUMENTS

1,600,132 A	9/1926	Pearl
1,823,840 A	9/1931	Nolte
2,136,109 A	11/1938	Kress

Primary Examiner — John Windmuller

Assistant Examiner — Steven Czyz

(74) *Attorney, Agent, or Firm* — Leanne Taveggia Farrell; Westman, Champlin & Koehler, P.A.

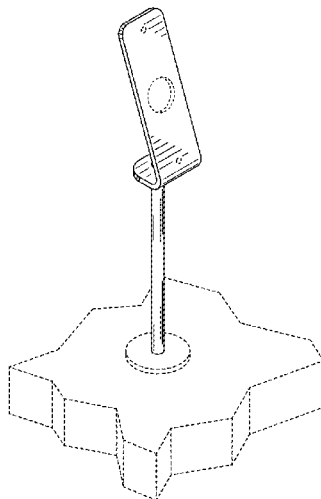
(57) **CLAIM**

The ornamental design for a display unit, as shown and described.

DESCRIPTION

FIG. 1 is a perspective view of a display unit showing our new design;
 FIG. 2 is a front view of FIG. 1;
 FIG. 3 is a back view of FIG. 1;
 FIG. 4 is a top view of FIG. 1; and,
 FIG. 5 is a left side view of FIG. 1, the right side view being a mirror image.
 The broken lines depict portions of the article that form no part of the claimed design.

1 Claim, 2 Drawing Sheets



US D804,865 S

Page 2

(56)

References Cited

U.S. PATENT DOCUMENTS

D370,355 S *	6/1996	Kenney	D6/310	D677,075 S *	3/2013	Rodgers	D6/672
D372,131 S *	7/1996	Perkins, Jr.	D20/40	D683,141 S *	5/2013	Symons	D14/447
5,931,315 A *	8/1999	Lorentz	G11B 33/0483	D703,676 S *	4/2014	Smith	D14/447
				206/308.1	8,925,172 B2 *	1/2015	English	F16B 13/04
6,010,017 A *	1/2000	Michaelis	A47F 5/04					108/158.11
				211/107	D789,121 S *	6/2017	Laskowitz	D6/681.1
6,484,429 B1 *	11/2002	Przylucki	G09F 3/20	2007/0181515 A1 *	8/2007	Levi	A47F 5/04
				248/174					211/85.3
D476,374 S *	6/2003	Boire	D20/41	2010/0320161 A1 *	12/2010	Bennett	A47G 33/00
D556,833 S *	12/2007	Maier-Hunke	D20/41					211/49.1
D597,764 S *	8/2009	Topcuoglu	D20/10	2012/0187257 A1 *	7/2012	Zou	F16M 11/041
D598,053 S *	8/2009	Sanchez	D14/159					248/125.8
D598,217 S *	8/2009	Bode	D6/681.2	2013/0327733 A1 *	12/2013	Csak	A47F 5/0087
D625,528 S *	10/2010	Sprague	D6/681					211/59.3
D646,904 S *	10/2011	Feldstein	D6/310	2013/0342087 A1 *	12/2013	Guran	H05K 5/0017
D650,200 S *	12/2011	Francis	D6/700					312/7.2
D661,498 S *	6/2012	Wang	G09F 7/04	2014/0110555 A1 *	4/2014	Maddux	A47F 5/06
				D6/312					248/558
D671,545 S *	11/2012	Guran	D14/447	2016/0108942 A1 *	4/2016	Yu	F16M 13/00
									248/316.4

* cited by examiner

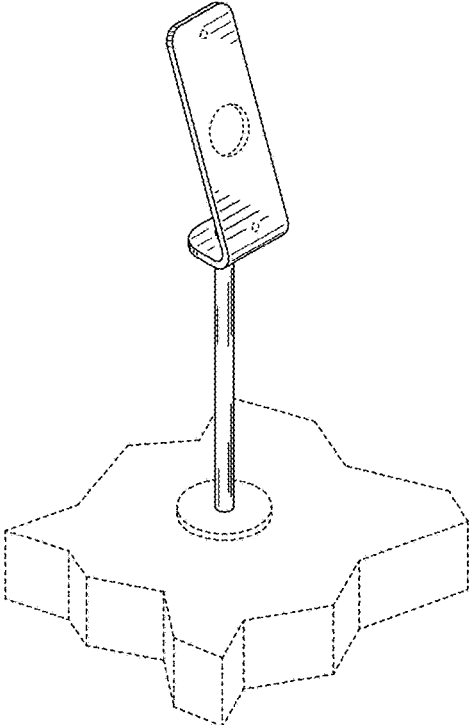


Fig. 1

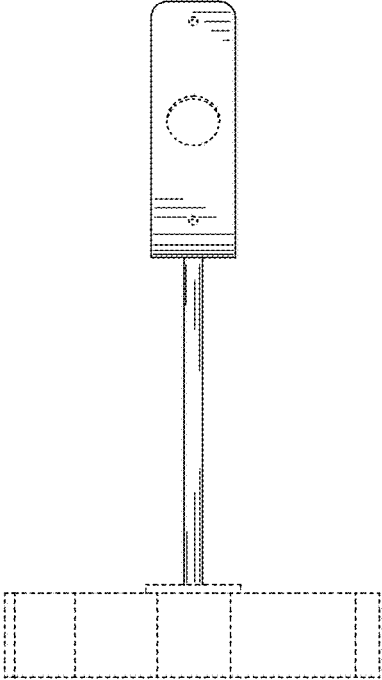


Fig. 2

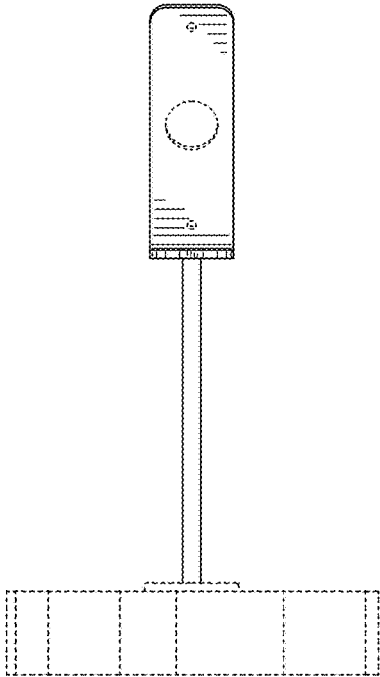


Fig. 3

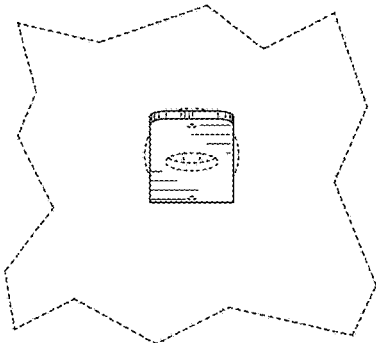


Fig. 4

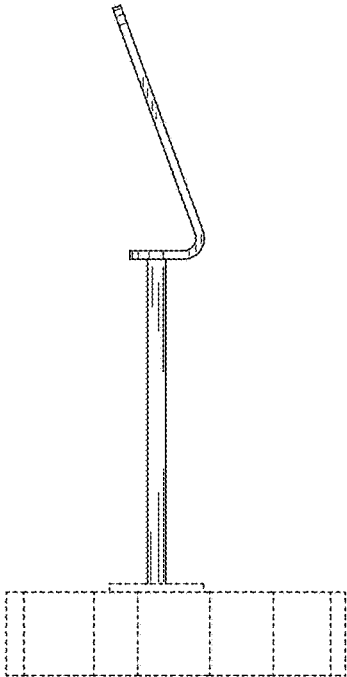


Fig. 5