



US00D906396S

(12) **United States Design Patent** (10) **Patent No.:** **US D906,396 S**
Schaarschmidt (45) **Date of Patent:** **** Dec. 29, 2020**

(54) HOUSING OF A CAMERA	D616,480 S *	5/2010	Ookawa	D16/218
	8,467,675 B2 *	6/2013	Chen	G03B 17/02 348/374
(71) Applicant: Allied Vision Technologies GmbH, Stadtroda (DE)	D727,387 S *	4/2015	Hasegawa	D16/203
	D730,423 S *	5/2015	Vandenbussche	D16/218
(72) Inventor: Sven Schaarschmidt, Zell am Moos (AT)	D733,784 S *	7/2015	Yamashita	D16/218
	D745,589 S *	12/2015	Lee	D16/218
	D750,687 S *	3/2016	Samuels	G03B 17/02 D16/219
(73) Assignee: ALLIED VISION TECHNOLOGIES GMBH, Stadtroda (DE)	D754,230 S *	4/2016	Mori	D16/200
	D758,467 S *	6/2016	Zhang	D16/202
(**) Term: 15 Years	D769,346 S *	10/2016	Nguyen	D16/218
	D785,068 S *	4/2017	Patsis	D16/200

* cited by examiner

(21) Appl. No.: **29/616,073**

(22) Filed: **Sep. 1, 2017**

(30) **Foreign Application Priority Data**

Mar. 2, 2017 (DE) 40 2017 000 263

(51) **LOC (12) Cl.** **16-01**

(52) **U.S. Cl.**

USPC **D16/200;** D16/202

(58) **Field of Classification Search**

USPC D16/200, 202–208, 218, 219; D14/167,
D14/168, 170–172, 188, 194, 204,
D14/210–216, 219, 221, 222, 224;
181/144, 148, 153, 157, 198; 369/6–12;
381/301–303, 306, 332, 334, 336, 345,
381/361–363

CPC G03B 17/02; G03B 19/04; G03B 17/56;
G03B 17/04; G03B 15/03; H04N 5/2251;
H04N 5/2252; H04N 5/2253; H04N
5/2254; H04N 7/181; H04N 7/183; H04N
7/18; G08B 13/1963; G08B 13/19619;
G08B 13/19632

See application file for complete search history.

(56) **References Cited**

U.S. PATENT DOCUMENTS

D441,386 S * 5/2001 Yamazaki D16/203
D504,904 S * 5/2005 Nagai D16/203

Primary Examiner — Ramzi S Almatrahi

(74) *Attorney, Agent, or Firm* — Lucas & Mercanti, LLP;
Klaus P. Stoffel

(57) **CLAIM**

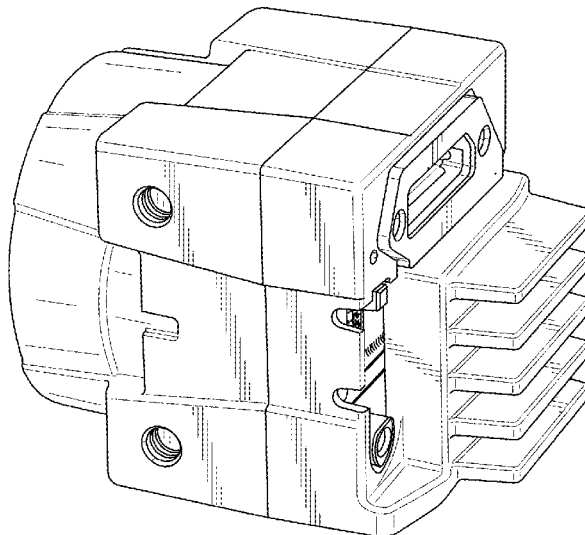
The ornamental design for a housing for a camera, as shown and described.

DESCRIPTION

FIG. 1 is a perspective view of a housing for a camera showing my new design;
FIG. 2 is a front view thereof;
FIG. 3 is a back view thereof;
FIG. 4 is a right side view thereof;
FIG. 5 is a left side view thereof;
FIG. 6 is a top view thereof; and,
FIG. 7 is a bottom view thereof.

The broken lines depict portions of the housing for a camera in which the design is embodied that form no part of the claimed design.

1 Claim, 7 Drawing Sheets



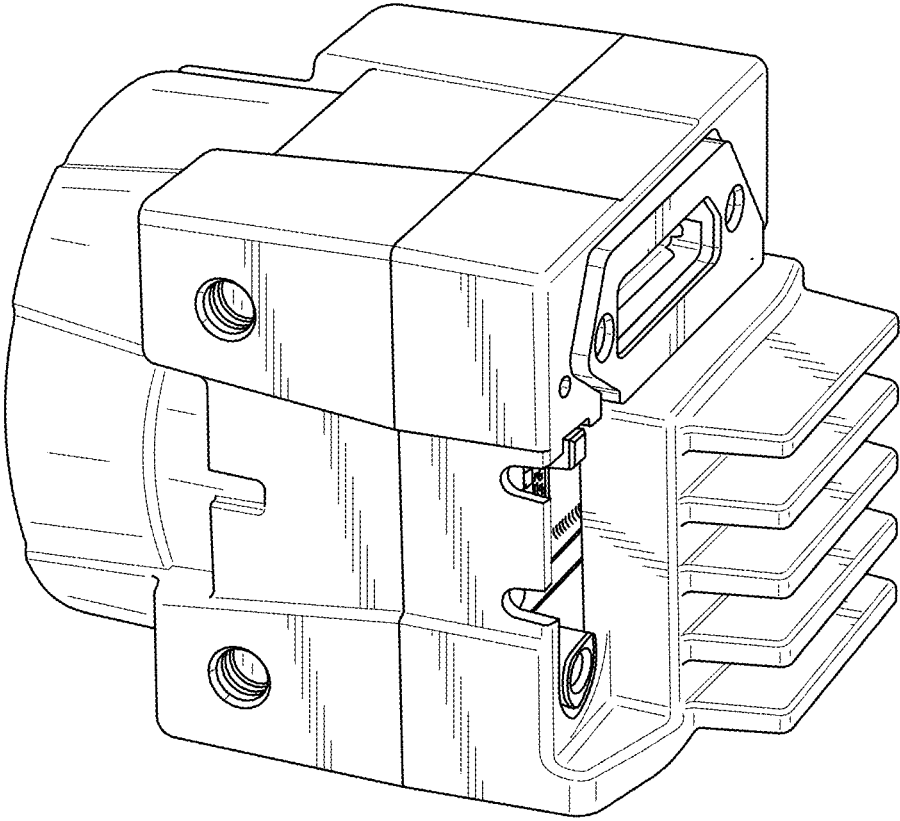


FIG. 1

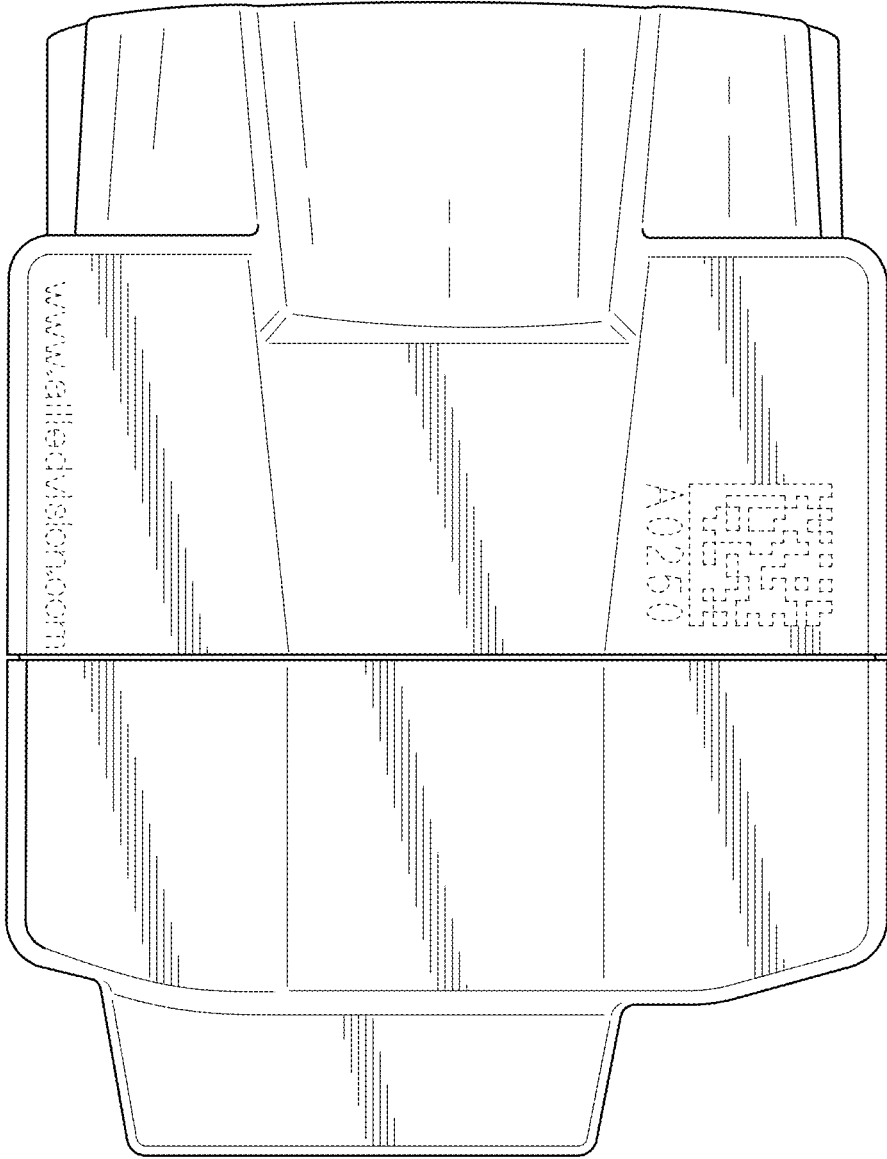


FIG. 2

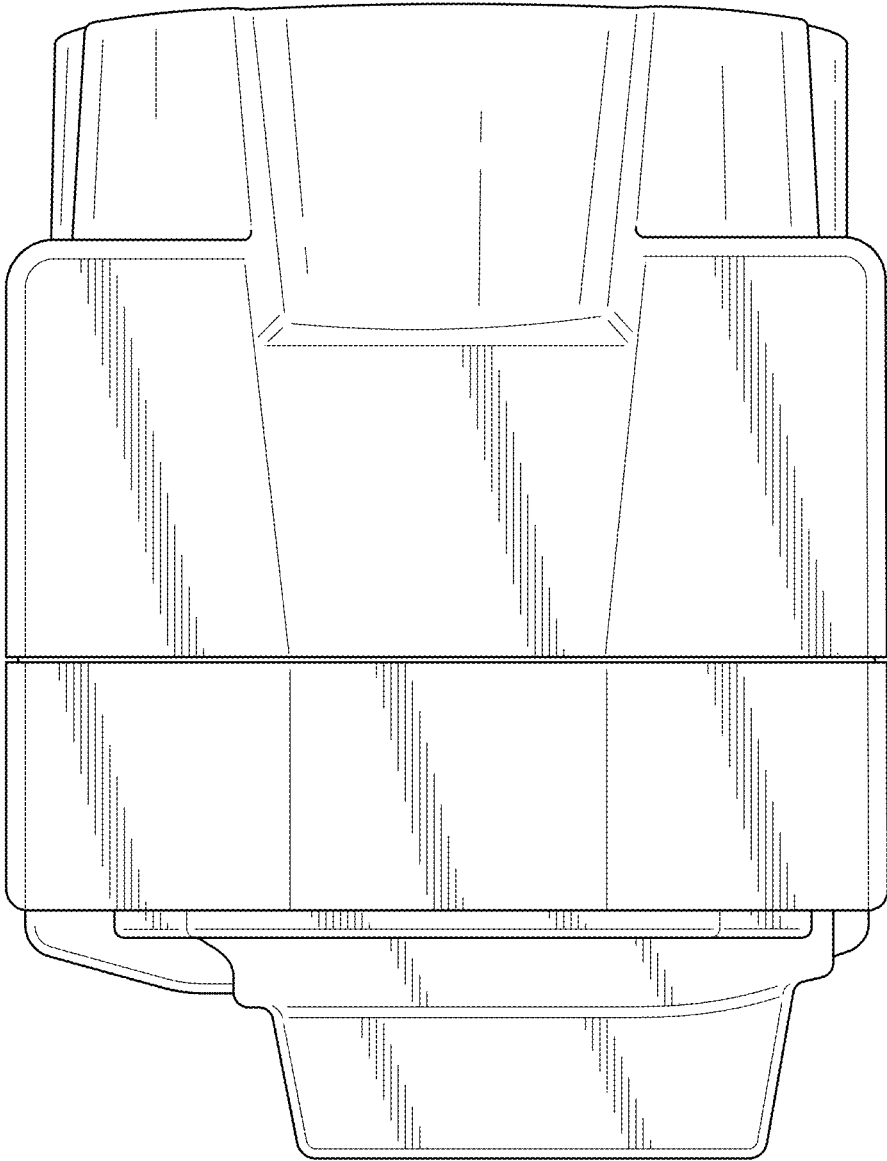


FIG. 3

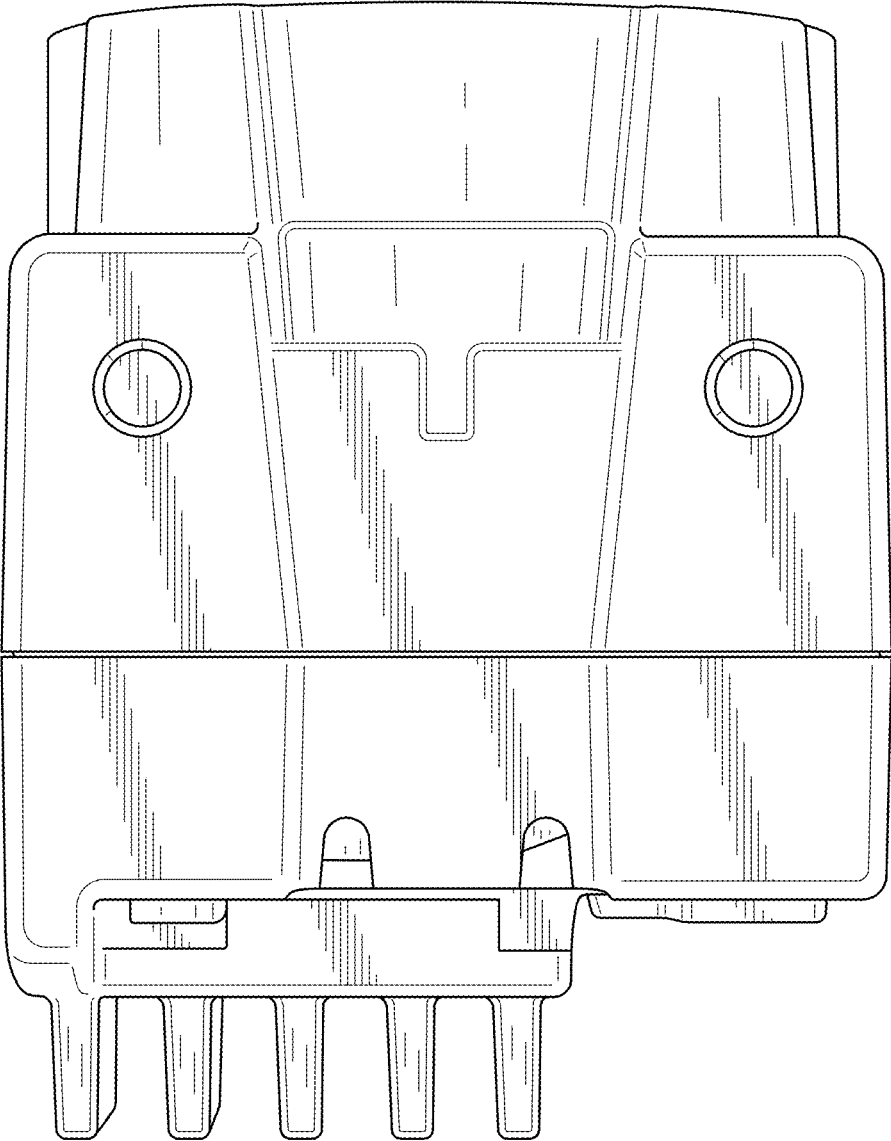


FIG. 4

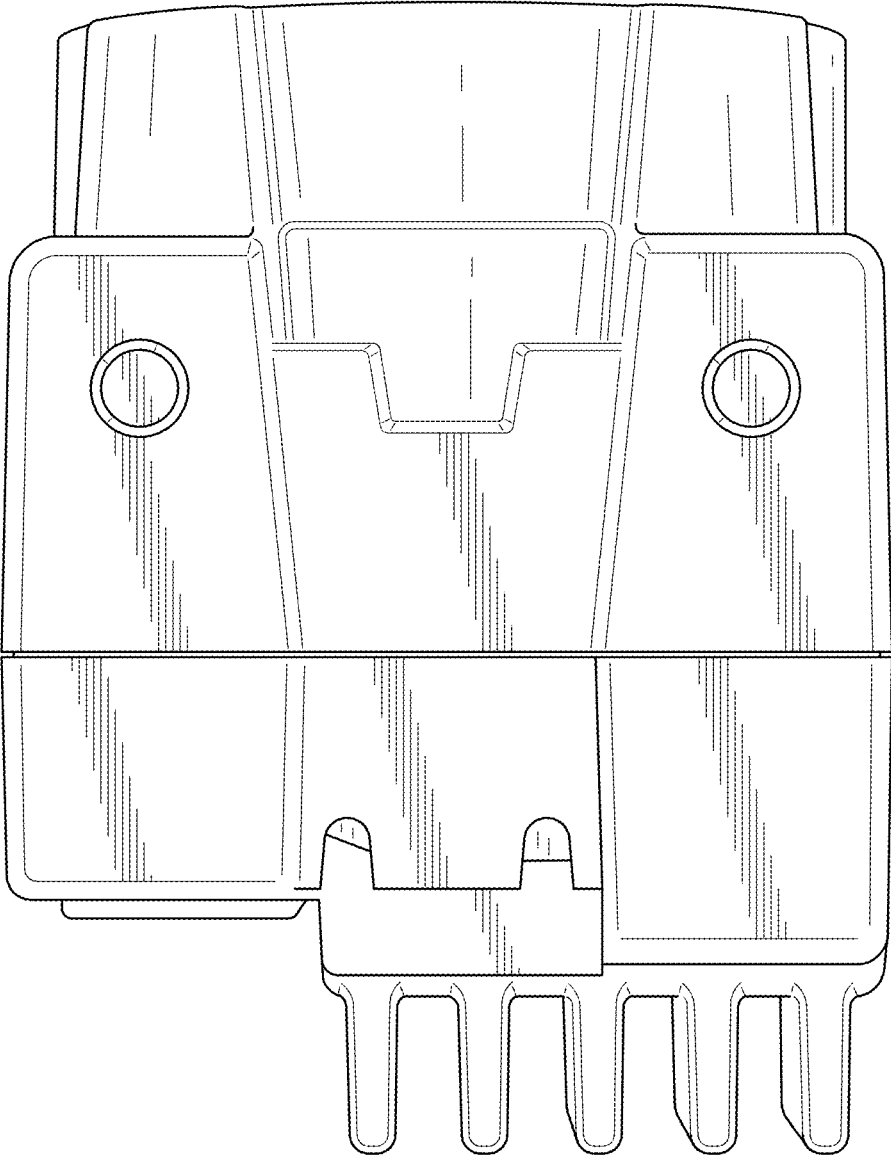


FIG. 5

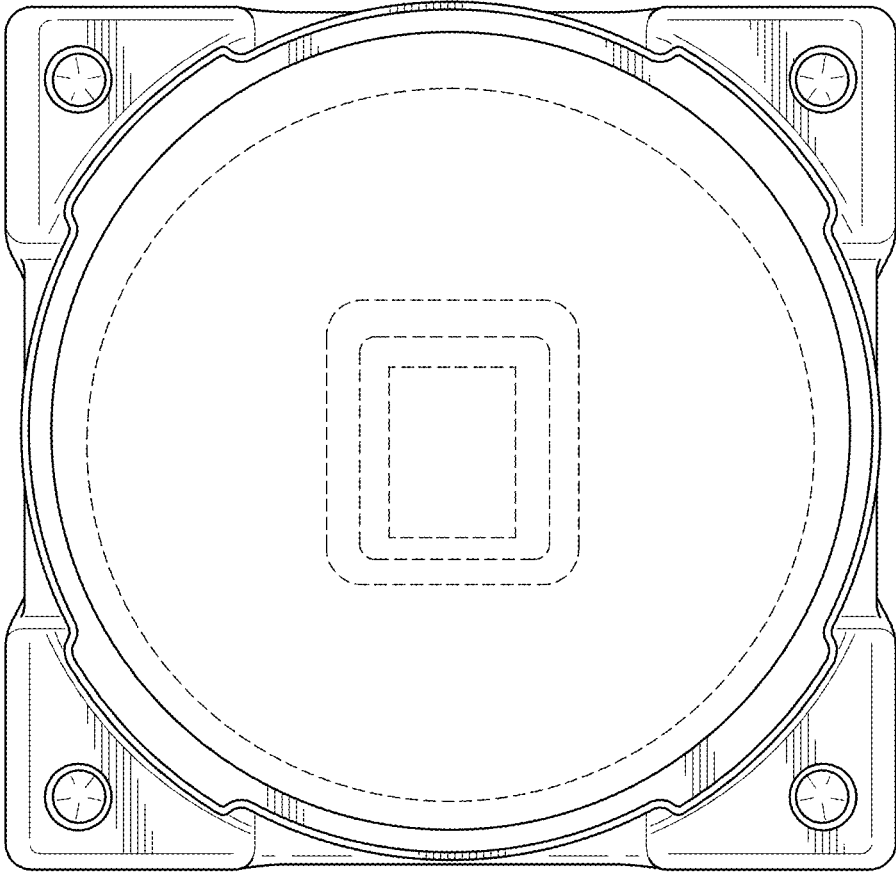


FIG. 6

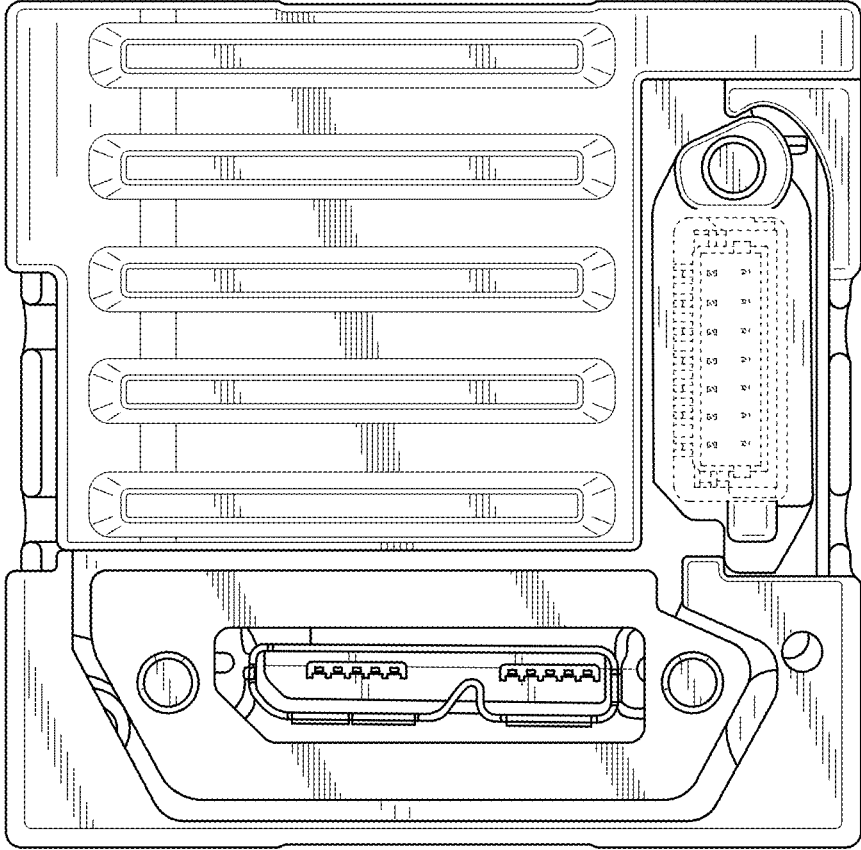


FIG. 7