



US00D373646S

United States Patent [19]

[11] Patent Number: **Des. 373,646**

Szymanski et al.

[45] Date of Patent: ****Sep. 10, 1996**

[54] FLEXIBLE LIGHT

[75] Inventors: **Aaron Szymanski**, Bristol; **Daniel Haberstich**, Rocky Hill, both of Conn.

[73] Assignee: **Black & Decker Inc.**, Newark, Del.

[**] Term: **14 Years**

[21] Appl. No.: **36,059**

[22] Filed: **Mar. 13, 1995**

[52] U.S. Cl. **D26/43**

[58] Field of Search D26/37, 43, 44,
D26/46, 49, 60, 62; 362/157, 158, 184,
188, 189, 191, 198, 199, 200, 202, 362,
396

[56] References Cited

U.S. PATENT DOCUMENTS

| | | | | |
|------------|---------|--------------|-------|----------|
| D. 147,258 | 8/1947 | Becker | | D26/43 |
| D. 166,073 | 3/1952 | Dunkelberger | | D26/43 |
| D. 314,246 | 1/1991 | Bache | | D26/62 |
| D. 328,146 | 7/1992 | Sinsteden | | D26/49 |
| 3,111,277 | 11/1963 | Grimsley | | D26/43 X |

FOREIGN PATENT DOCUMENTS

| | | | | |
|--------|--------|-------|-------|--------|
| 604541 | 7/1983 | Japan | | D26/43 |
| 671733 | 2/1986 | Japan | | D26/43 |
| 671734 | 2/1986 | Japan | | D26/43 |

Primary Examiner—A. Hugo Word
Assistant Examiner—Lavone D. Tabor
Attorney, Agent, or Firm—Barry E. Deutsch

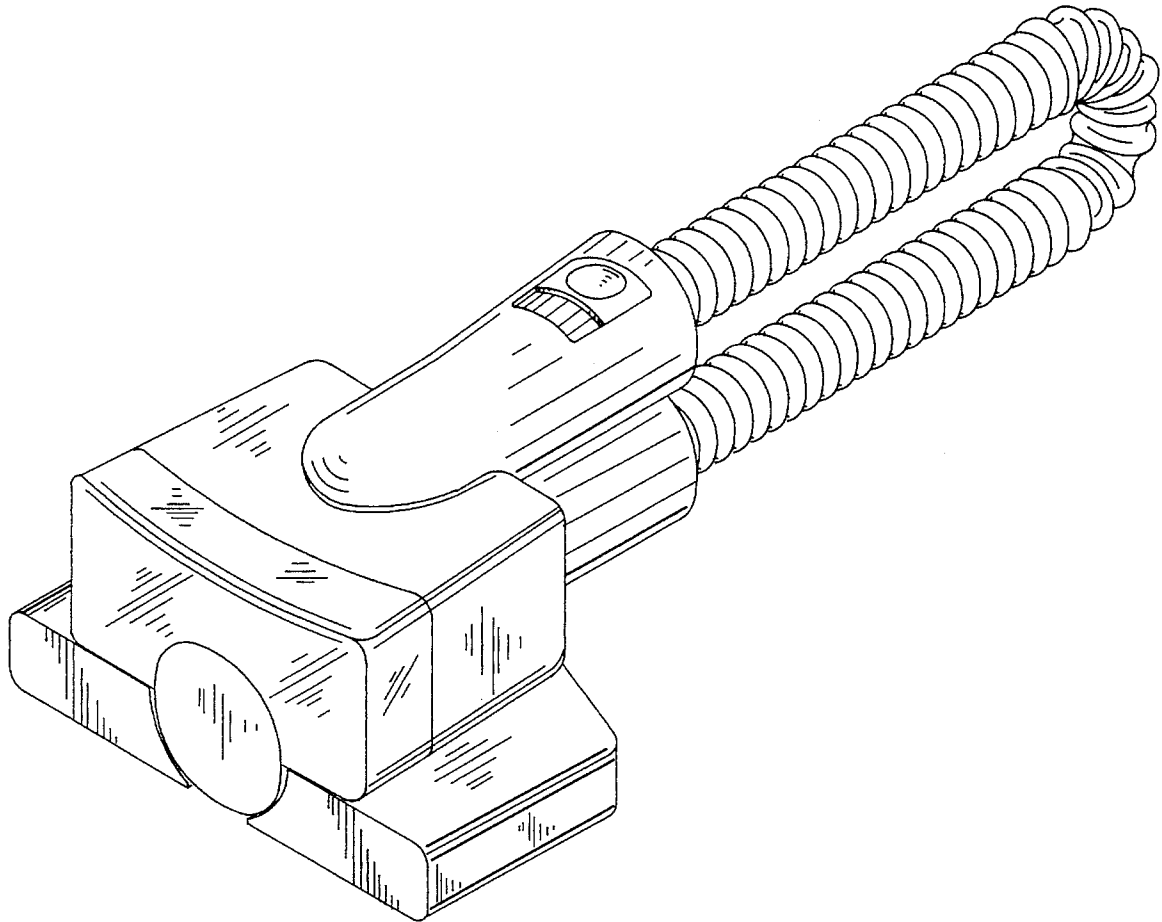
[57] CLAIM

The ornamental design for a flexible light, as shown and described.

DESCRIPTION

FIG. 1 is a perspective view taken from the front, top, and right side of a flexible light illustrating our new design; FIG. 2 is a right side elevational view thereof; FIG. 3 is a left side elevational view thereof; FIG. 4 is a front elevational view thereof; FIG. 5 is a rear elevational view thereof; FIG. 6 is a top plan view thereof; and, FIG. 7 is a bottom plan view thereof.

1 Claim, 4 Drawing Sheets



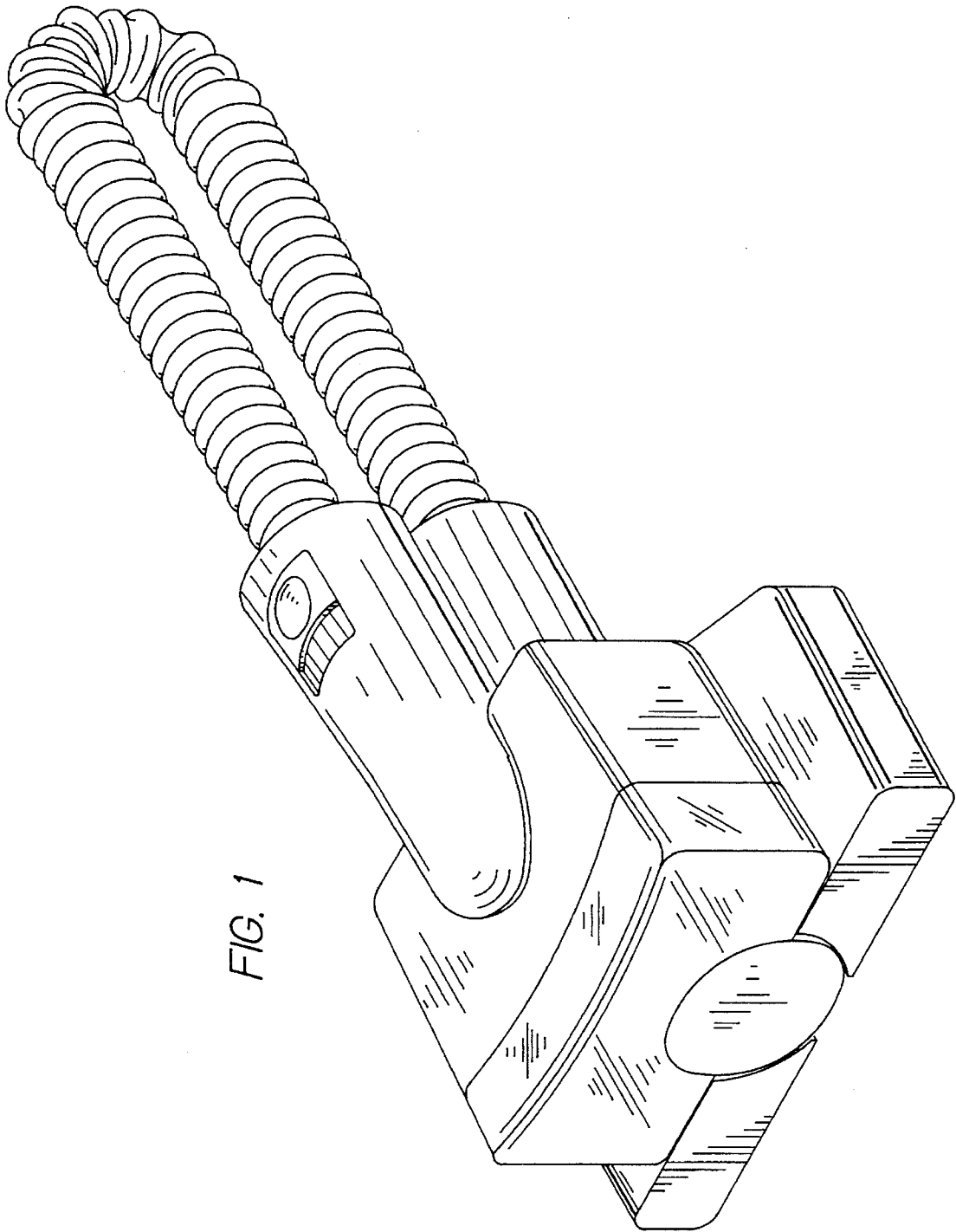


FIG. 1

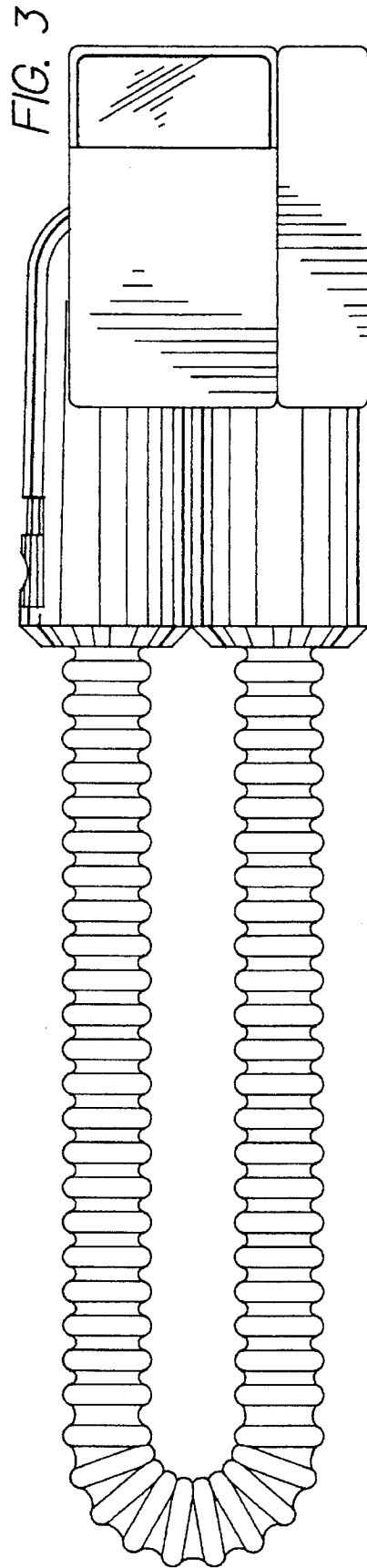
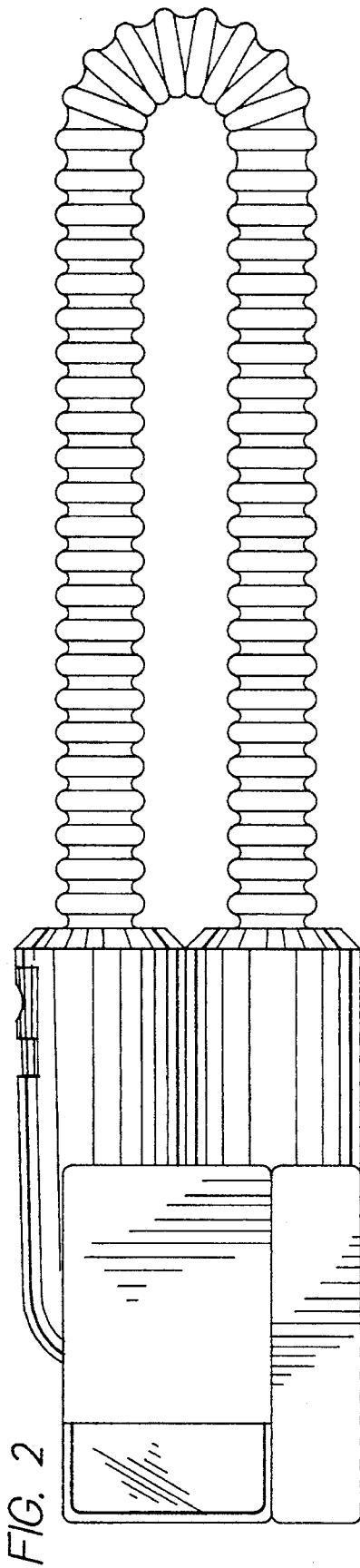


FIG. 5

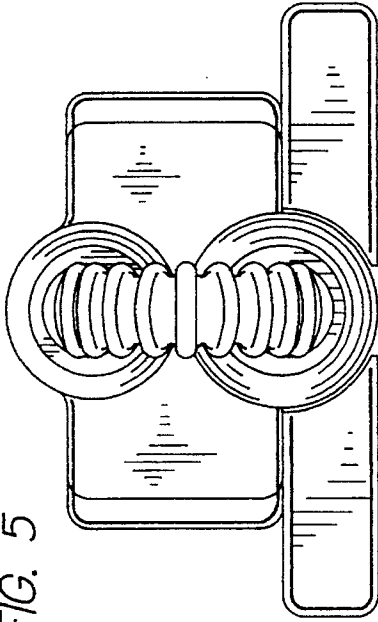


FIG. 4

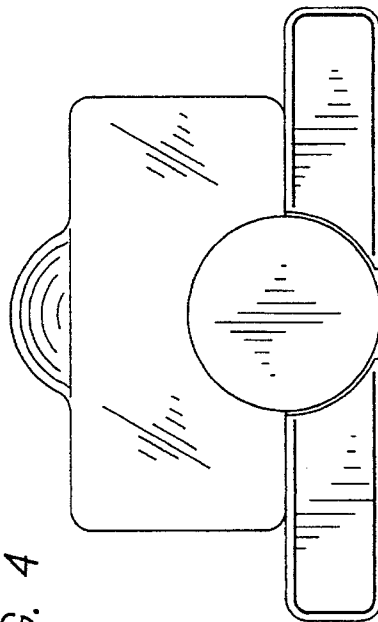
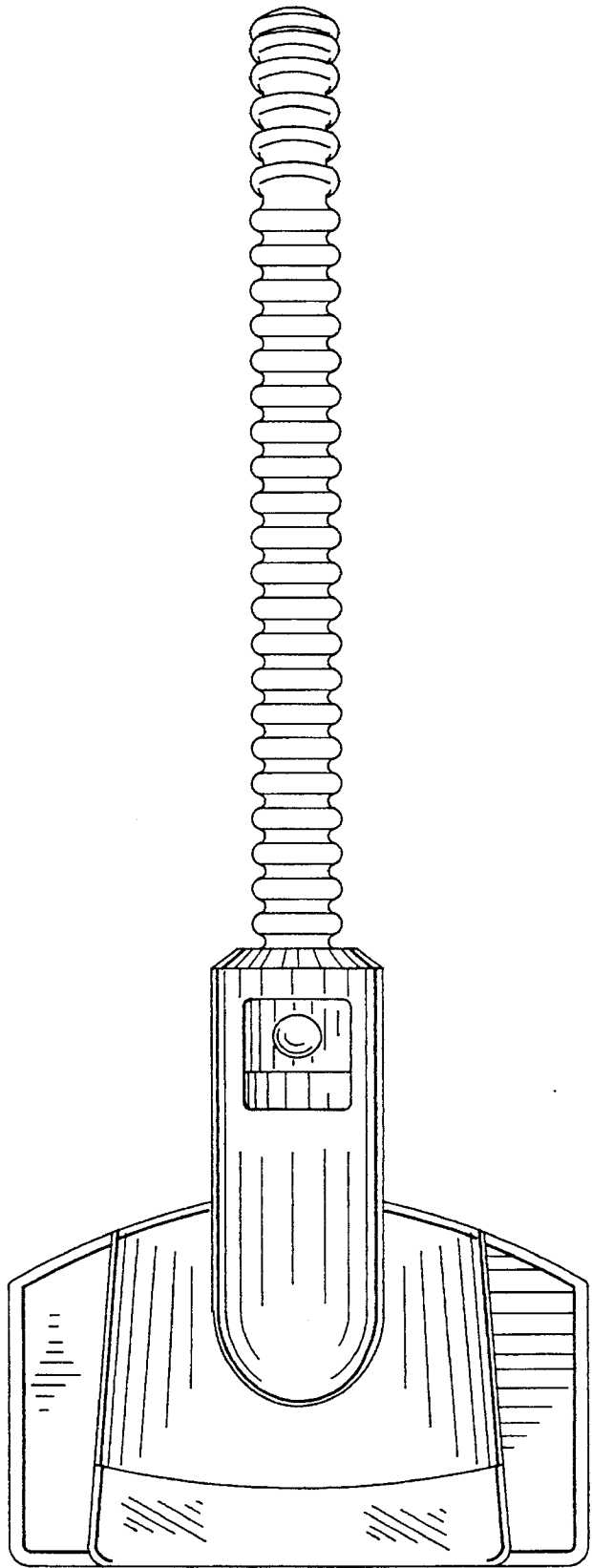


FIG. 6



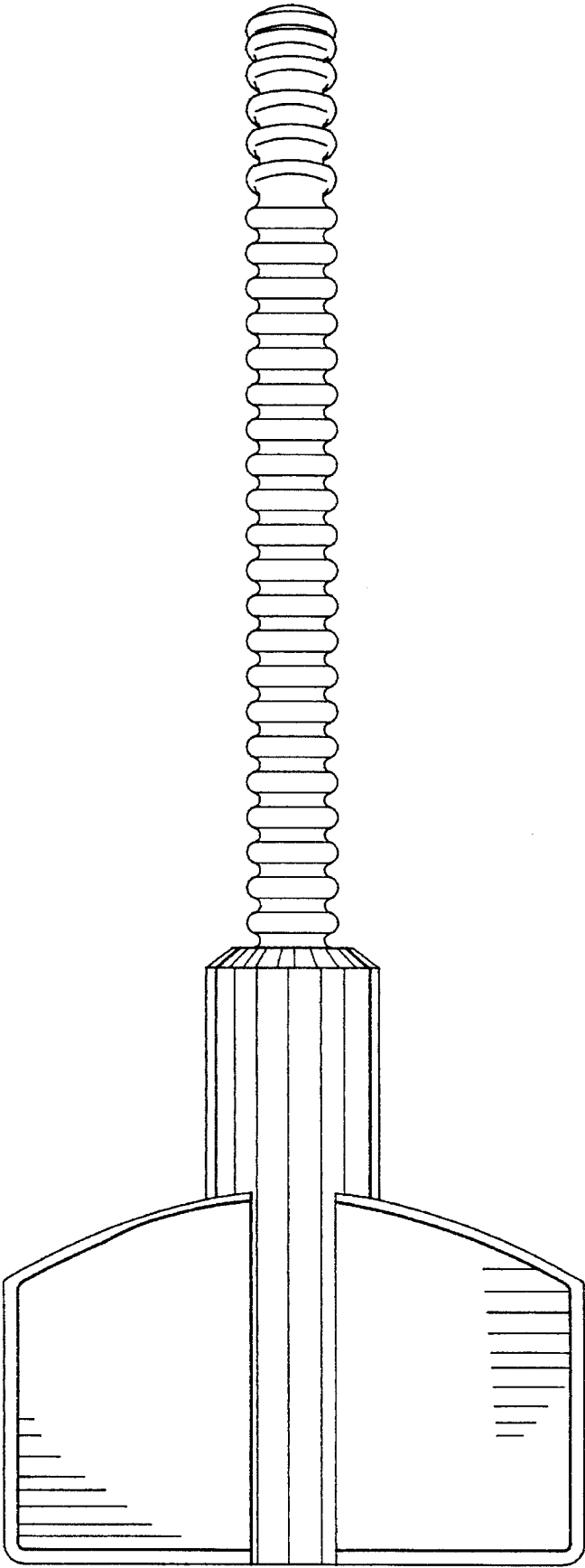


FIG. 7