



(12) **United States Design Patent**
Van Den Nieuwenhuizen et al.

(10) **Patent No.:** **US D891,848 S**
(45) **Date of Patent:** **** Aug. 4, 2020**

(54) **CIRCULATOR COOKER**

(71) Applicant: **Anova Applied Electronics, Inc.**, San Francisco, CA (US)

(72) Inventors: **John Van Den Nieuwenhuizen**, San Francisco, CA (US); **Vitor Alexandre Medeiros De Santa Maria**, Milan (IT)

(73) Assignee: **Anova Applied Electronics, Inc.**, San Francisco, CA (US)

(**) Term: **15 Years**

(21) Appl. No.: **29/722,714**

(22) Filed: **Jan. 31, 2020**

Related U.S. Application Data

(62) Division of application No. 29/631,870, filed on Jan. 3, 2018, now Pat. No. Des. 874,210.

(51) **LOC (12) Cl.** **07-02**

(52) **U.S. Cl.**
USPC **D7/354**

(58) **Field of Classification Search**

USPC D7/323, 354-361, 368, 391, 393;
D13/107
CPC A47J 27/00; A47J 27/004; A47J 27/08;
A47J 27/0802; A47J 27/0804; A47J
27/0811; A47J 27/0813; A47J 27/0815;
A47J 27/0817; A47J 27/084; A47J 27/09;
A47J 27/092; A47J 27/10; A47J
27/21083; A47J 29/02; A47J 36/025;
A47J 36/06; A47J 36/321; A47J 37/12;
A47J 37/1204; A47J 37/1209; A47J
45/07; A47J 45/071; A47J 45/074; A47J
45/08; B01D 2201/345; B01J 3/03; B01J
3/04; B01L 7/02; F01P 2011/0247; F01P
2011/0252; H05B 6/00; H05B 6/02;
H05B 6/06

See application file for complete search history.

(56) **References Cited**

U.S. PATENT DOCUMENTS

2,054,857 A	9/1936	Gorsline	
3,270,661 A *	9/1966	Juvan	A47J 29/02 99/343
5,024,404 A	6/1991	Ballard	
5,336,401 A	8/1994	Tu	
5,944,365 A	8/1999	Kizler et al.	
D527,502 S	8/2006	Yoshimoto et al.	
7,389,629 B2	6/2008	Tretina	

(Continued)

OTHER PUBLICATIONS

Notice of Allowance for U.S. Appl. No. 29/631,873, dated Feb. 25, 2019, 6 pages. 2019.

(Continued)

Primary Examiner — Ricky Pham

(74) *Attorney, Agent, or Firm* — RatnerPrestia

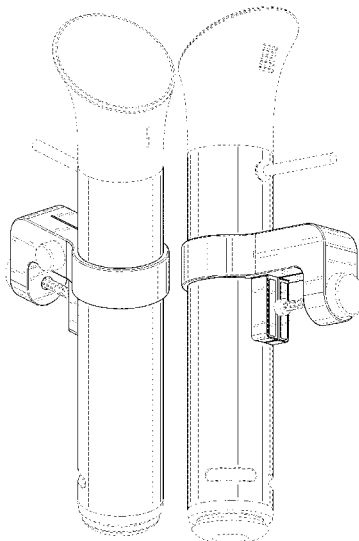
(57) **CLAIM**

The ornamental design for a circulator cooker, as shown and described.

DESCRIPTION

FIG. 1 is a top front isometric view of a circulator cooker showing our new design;
FIG. 2 is a bottom rear isometric view thereof;
FIG. 3 is a front view thereof;
FIG. 4 is a rear view thereof;
FIG. 5 is a left side view thereof;
FIG. 6 is a right side view thereof;
FIG. 7 is a top plan view thereof; and,
FIG. 8 is a bottom plan view thereof.
The broken lines in the drawings are for the purpose of illustrating unclaimed portions of the circulator cooker and form no part of the claimed design. The dash-dot-dash lines indicate boundaries of the claimed design.

1 Claim, 7 Drawing Sheets



(56)

References Cited

U.S. PATENT DOCUMENTS

8,240,112 B2 8/2012 Binger et al.
 D672,225 S 12/2012 Virnig
 D681,440 S 5/2013 Yu
 D688,199 S 8/2013 Behar et al.
 D748,052 S * 1/2016 Behar D13/107
 9,615,689 B2 4/2017 Plazarte et al.
 9,687,104 B2 6/2017 Wu
 D792,736 S 7/2017 Chen
 9,826,855 B2 11/2017 Wu
 D836,967 S 1/2019 Lin
 D850,844 S * 6/2019 Yang D7/368
 D853,776 S * 7/2019 Xu D7/354
 D853,777 S * 7/2019 Van Den Nieuwenhuizen
 D7/354
 D862,154 S * 10/2019 Van Den Nieuwenhuizen
 D7/362
 10,455,967 B2 10/2019 Wu
 D874,210 S * 2/2020 Van Den Nieuwenhuizen
 D7/354
 10,595,662 B2 3/2020 Chan
 2013/0026987 A1 1/2013 Gutierrez et al.
 2013/0220143 A1 8/2013 Fetterman et al.
 2015/0082996 A1* 3/2015 Wu A47J 27/10
 99/342
 2015/0150403 A1* 6/2015 Wu A47J 36/321
 99/344

2015/0245731 A1 9/2015 Wu
 2015/0342388 A1 12/2015 Wu
 2015/0342389 A1 12/2015 Wu
 2015/0342390 A1 12/2015 Wu
 2015/0342392 A1 12/2015 Wu
 2016/0022085 A1 1/2016 Wu
 2016/0037956 A1 2/2016 Wu
 2016/0192801 A1* 7/2016 Wu A47J 27/10
 426/231
 2016/0209077 A1* 7/2016 Wu B01L 7/02
 2017/0089768 A1 3/2017 Wu
 2017/0245673 A1* 8/2017 Peng A47J 27/10
 2018/0255957 A1* 9/2018 Wu A47J 27/21083
 2020/0088333 A1 3/2020 Jeong et al.

OTHER PUBLICATIONS

Notice of Allowance for U.S. Appl. No. 29/631,876, dated Sep. 25, 2019, 6 pages. 2019.
 Entire patent prosecution history of U.S. Appl. No. 29/631,870, filed, Jan. 3, 2018, entitled, "Circulator Cooker."
 Notice of Allowance for U.S. Appl. No. 29/722,714, dated Apr. 7, 2020, 5 pages.
 Notice of Allowance for U.S. Appl. No. 29/729,926, dated Apr. 28, 2020, 13 pages.

* cited by examiner

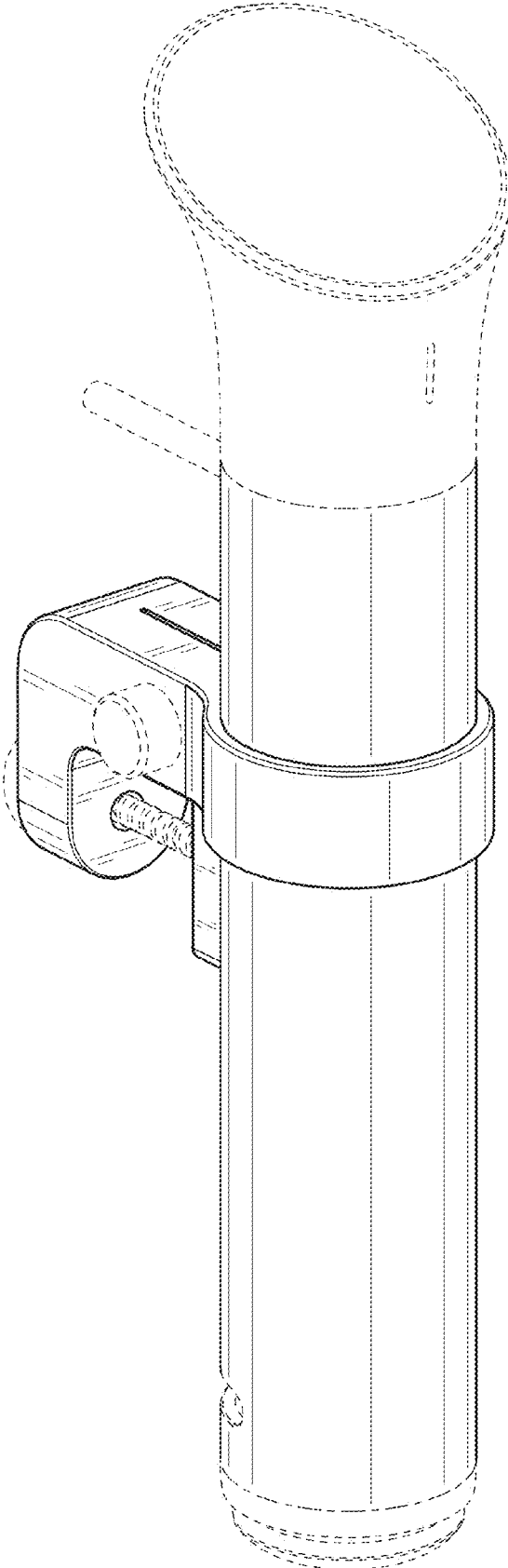


FIG. 1

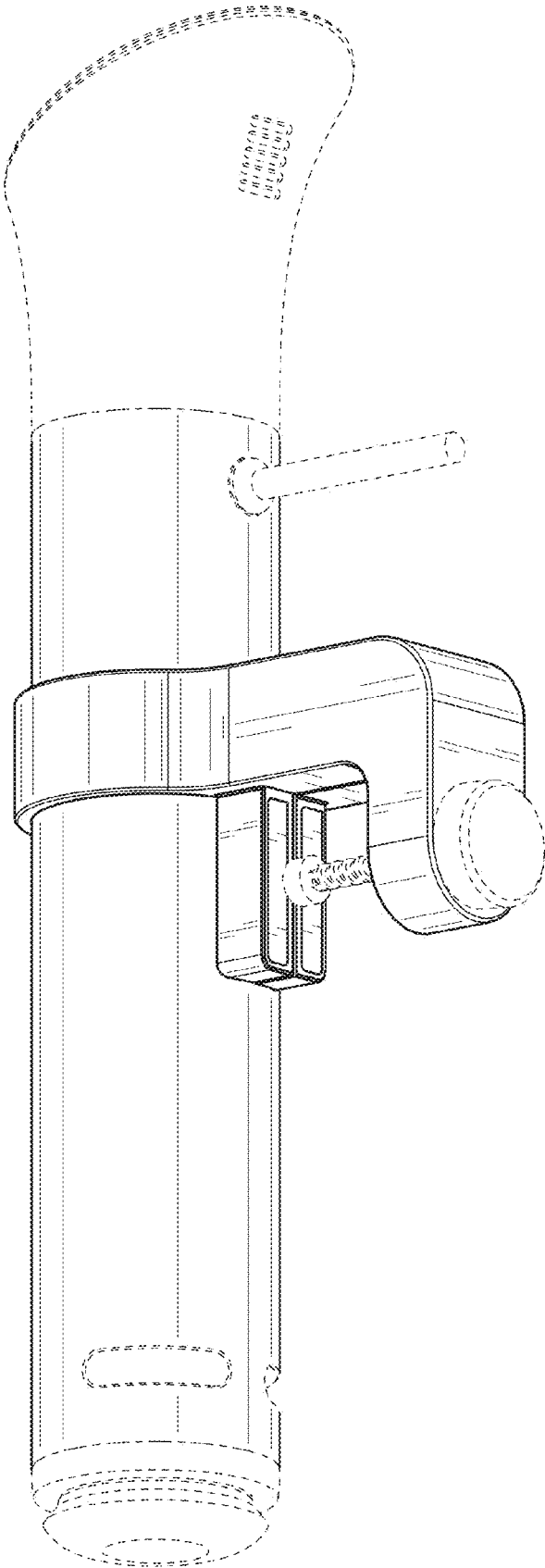


FIG. 2

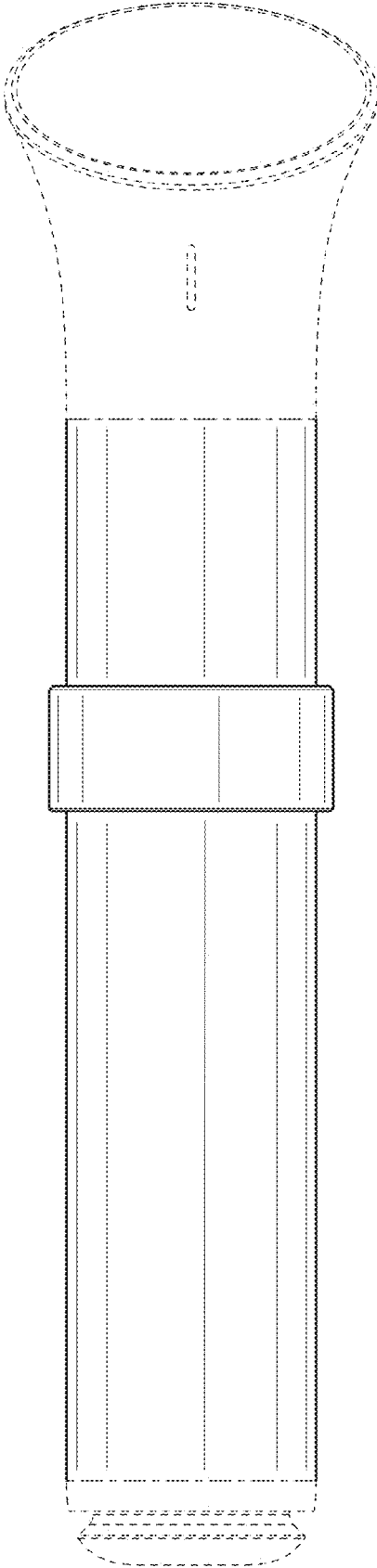


FIG. 3

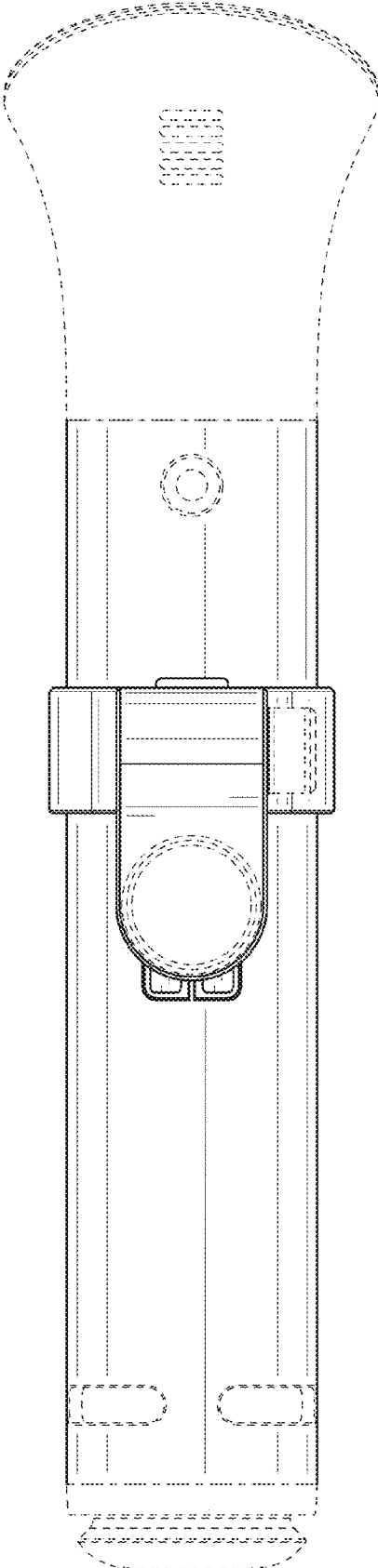


FIG. 4

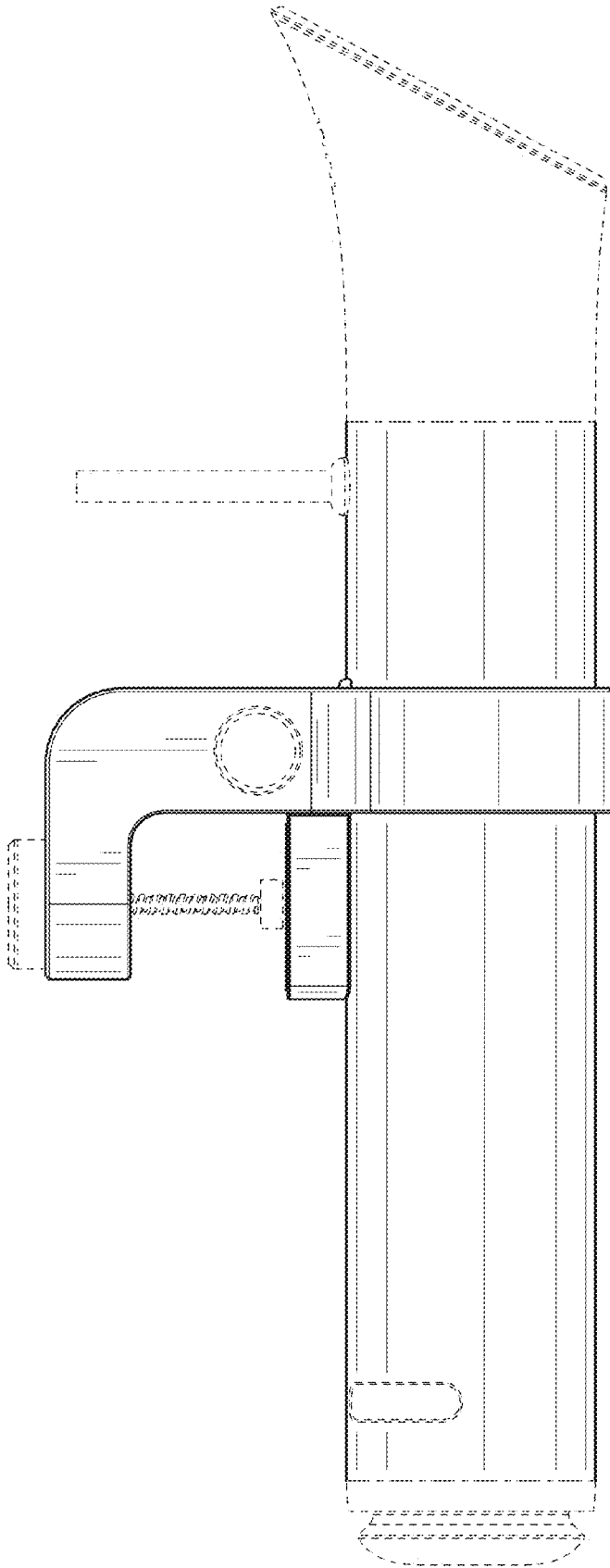


FIG. 5

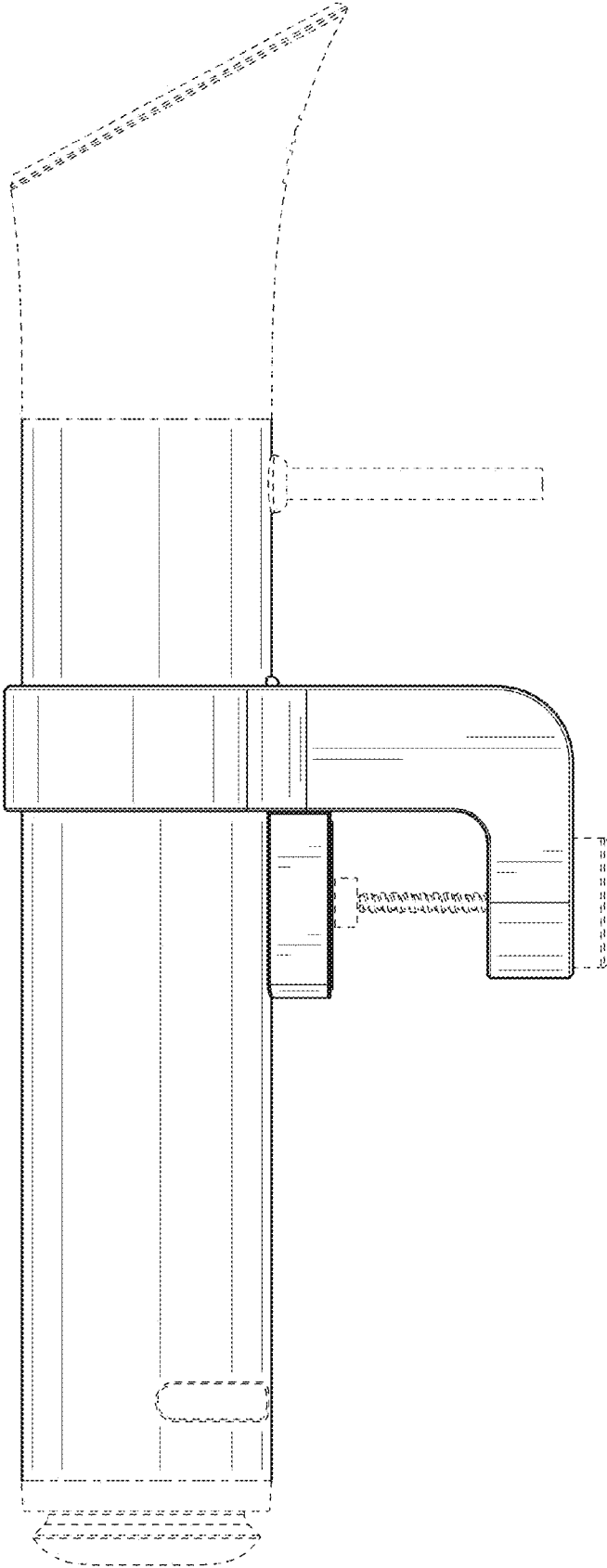


FIG. 6

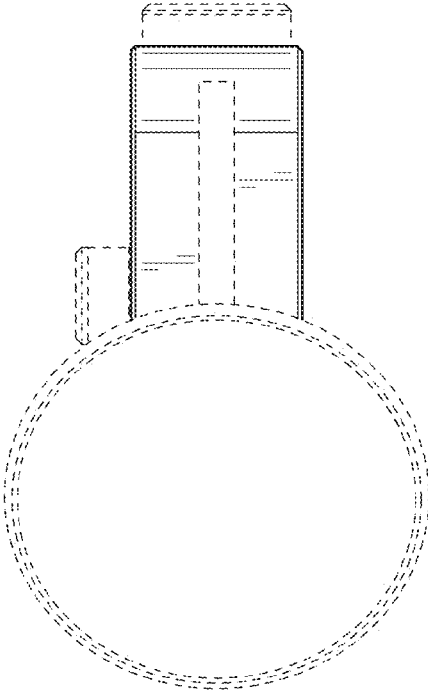


FIG. 7

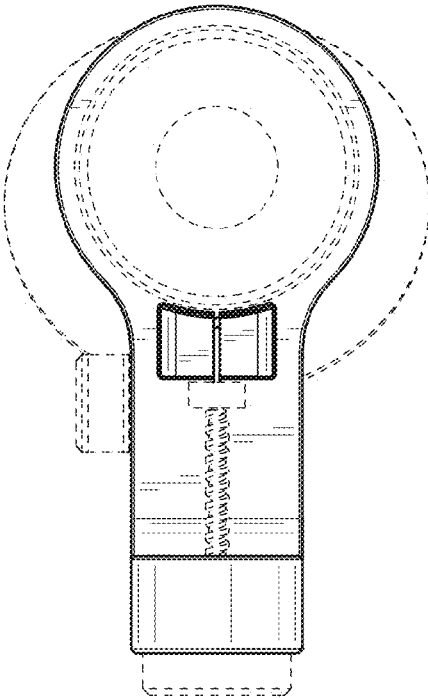


FIG. 8