



US00D905048S

(12) **United States Design Patent**
Großmann

(10) **Patent No.:** **US D905,048 S**

(45) **Date of Patent:** **** Dec. 15, 2020**

(54) **MULTIMEDIA COMMUNICATION
TERMINAL**

(71) Applicant: **KOENIG & BAUER AG**, Würzburg
(DE)

(72) Inventor: **Karsten Großmann**, Weinböhla (DE)

(73) Assignee: **KOENIG & BAUER AG**, Würzburg
(DE)

(**) Term: **15 Years**

(21) Appl. No.: **35/505,616**

(22) Filed: **Jul. 11, 2018**

(80) **Hague Agreement Data**

Int. Filing Date: **Jul. 11, 2018**

Int. Reg. No.: **DM/102520**

Int. Reg. Date: **Jul. 11, 2018**

Int. Reg. Pub. Date: **Sep. 7, 2018**

(30) **Foreign Application Priority Data**

Mar. 8, 2018 (EM) 004746253

(51) **LOC (12) Cl.** **14-02**

(52) **U.S. Cl.**

USPC **D14/307**

(58) **Field of Classification Search**

USPC D14/126, 302-307, 900-902; D13/163;
D21/325, 332, 369, 370

CPC G06Q 20/18; G06Q 20/10; G06Q 20/123;
G06Q 20/20; G06Q 30/02; G06Q 30/06;
A47F 9/047

See application file for complete search history.

(56) **References Cited**

U.S. PATENT DOCUMENTS

D713,840 S * 9/2014 Daniel D14/307
D734,316 S * 7/2015 Alvarez D14/307

D762,635 S * 8/2016 Szeredi D14/307
D763,247 S * 8/2016 Yepez D14/307
D774,504 S * 12/2016 Hoover D14/307
D782,466 S * 3/2017 Yepez D14/307
D783,015 S * 4/2017 Birnie D14/307
D805,065 S * 12/2017 Taylor D14/307
D807,340 S * 1/2018 Foster D14/307
D811,381 S * 2/2018 Morohoshi D14/307
D813,223 S * 3/2018 Munro D14/307
D815,628 S * 4/2018 Berini D14/307
D820,824 S * 6/2018 Thornton D14/307
D828,348 S * 9/2018 Lee D14/307
D829,704 S * 10/2018 Oross D14/307
D829,706 S * 10/2018 Berini D14/307
D836,625 S * 12/2018 Szeredi D14/307
D840,390 S * 2/2019 Mangeot D14/307

* cited by examiner

Primary Examiner — Bao-Yen T Nguyen

(74) *Attorney, Agent, or Firm* — Mattingly & Malur, PC

(57) **CLAIM**

The ornamental design for a multimedia communication terminal, as shown and described.

DESCRIPTION

Fig. 2.1 is a front elevation view of a design for a multimedia communication terminal;

Fig. 2.2 is a front left perspective view thereof;

Fig. 2.3 is a top left perspective view thereof;

Fig. 2.4 is a rear left perspective view thereof;

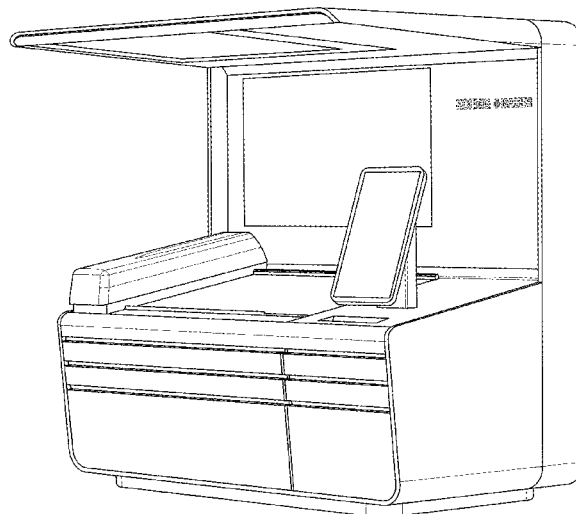
Fig. 2.5 is a right rear perspective view thereof;

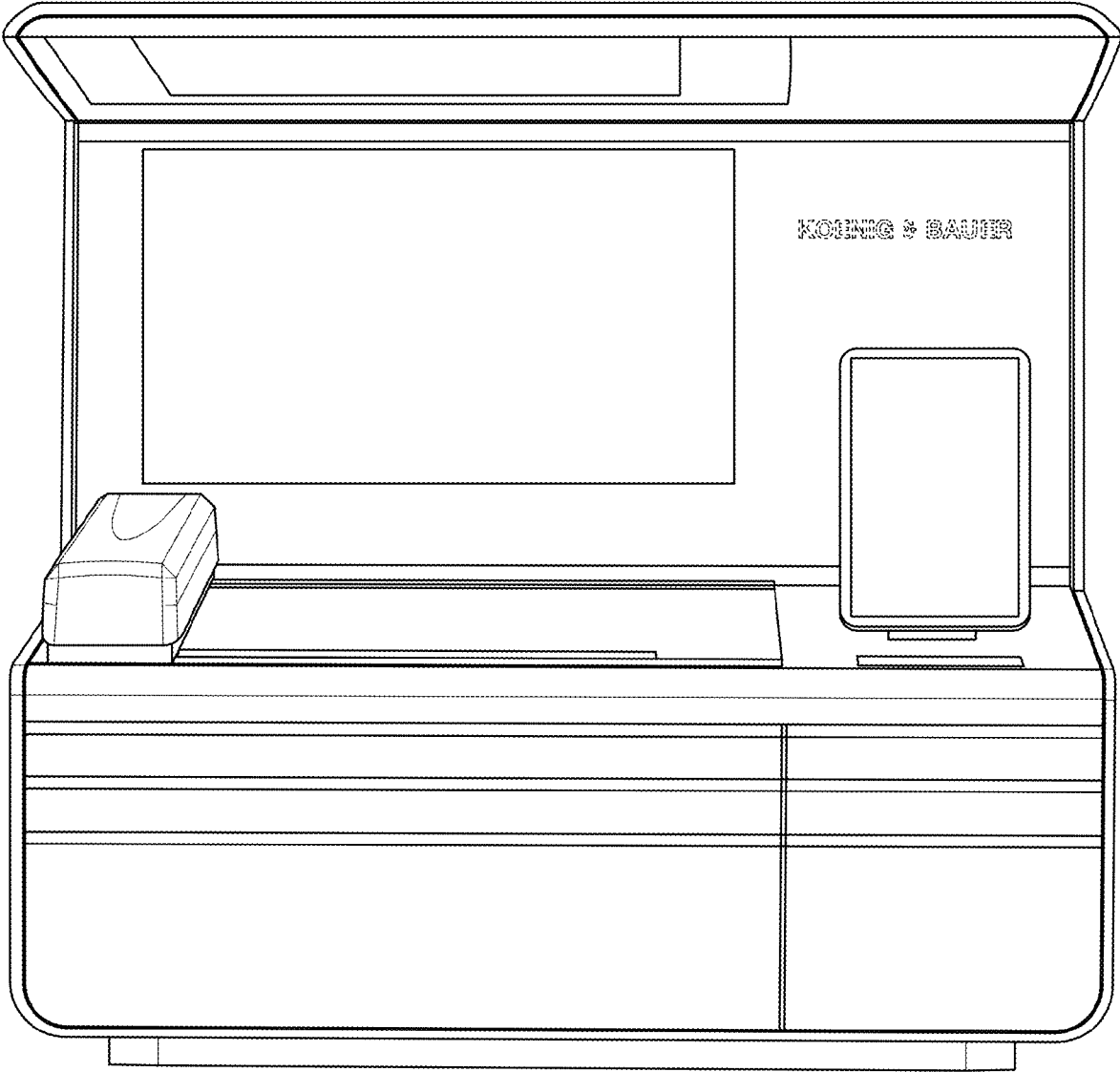
Fig. 2.6 is a right perspective view thereof; and

Fig. 2.7 is a right front perspective view thereof.

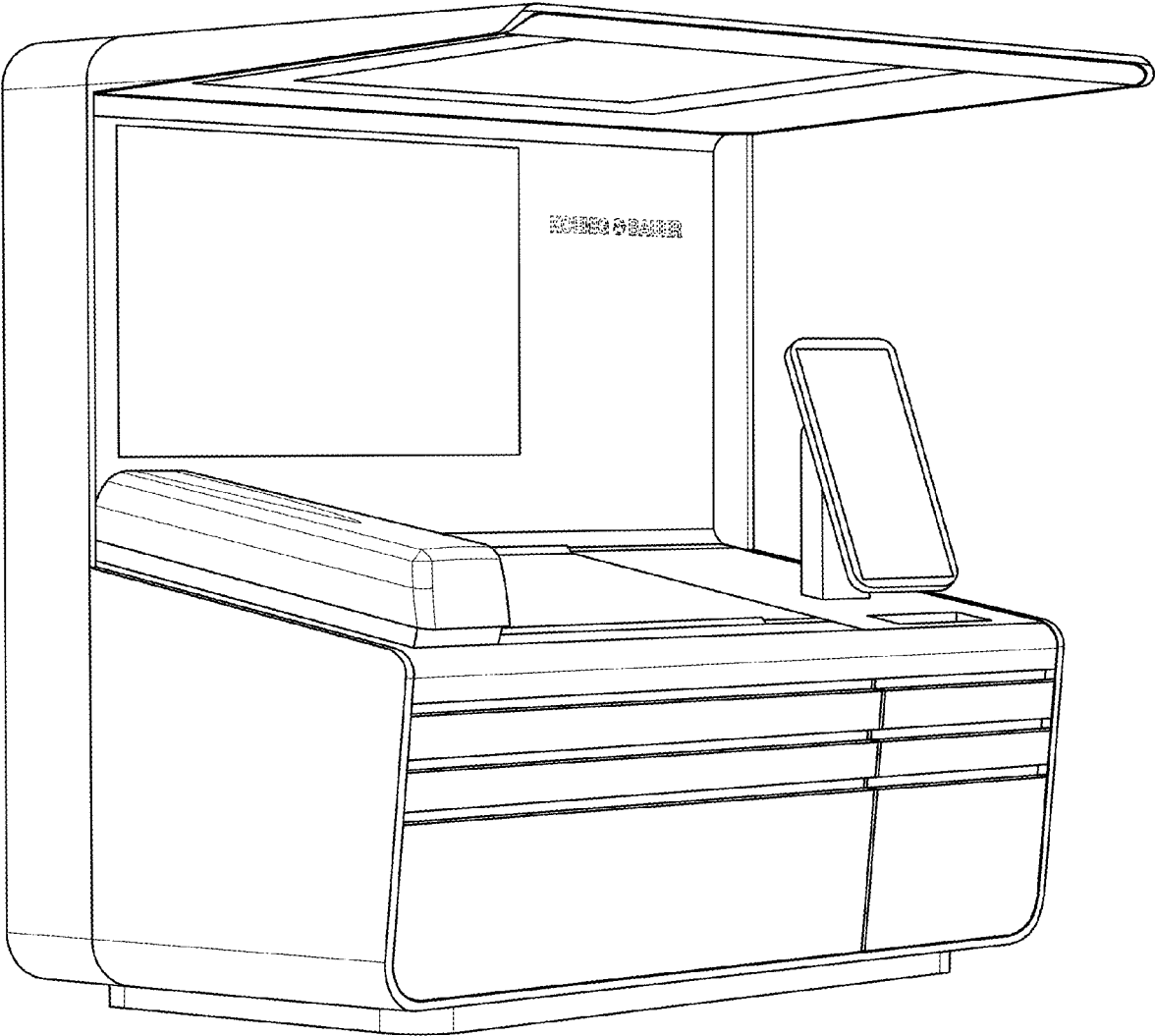
The broken line showing of details in Figs. 2.1-2.7 is included for the purpose of showing environmental portions of the design. No claim is made for the portions shown in broken line.

1 Claim, 7 Drawing Sheets

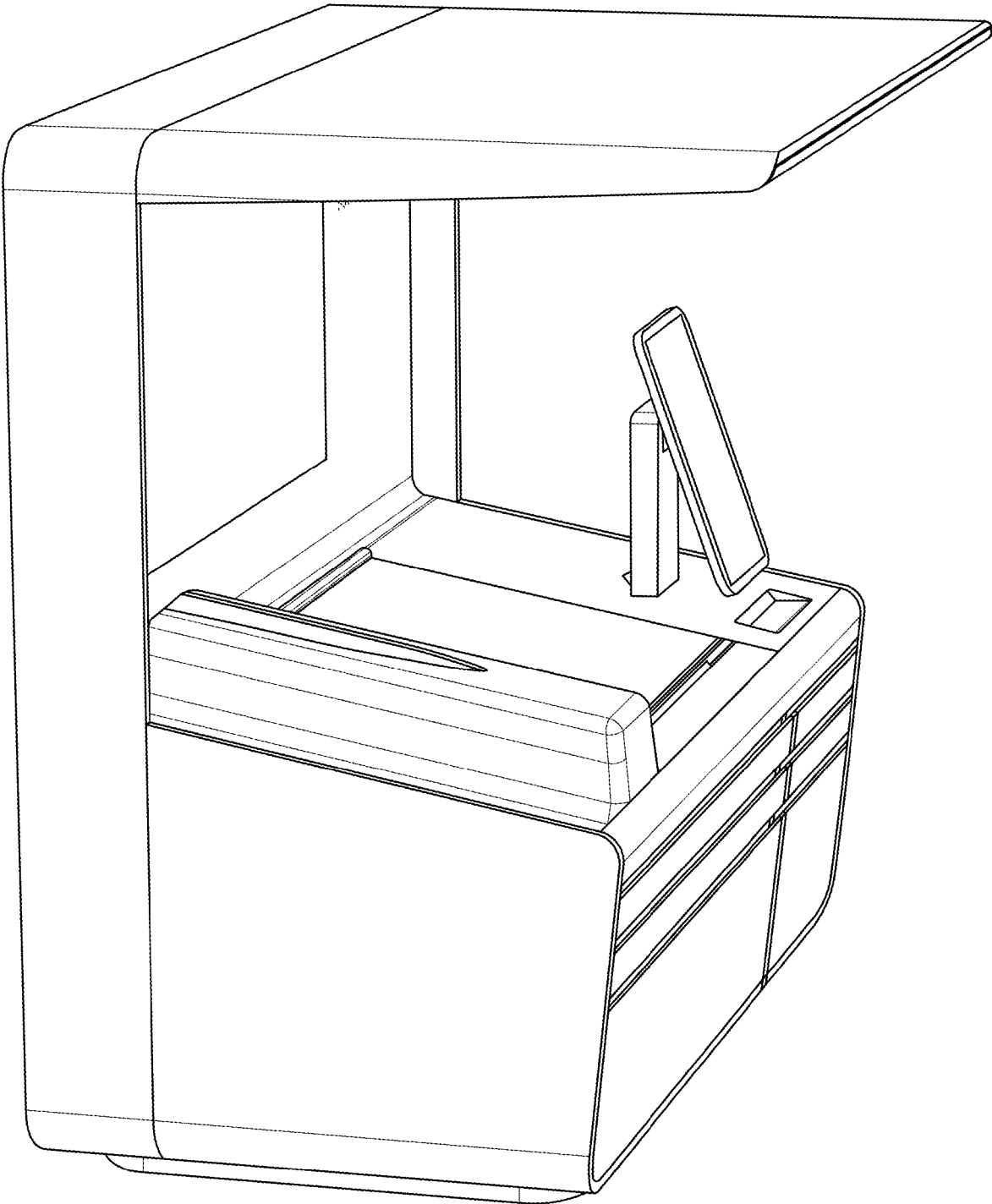




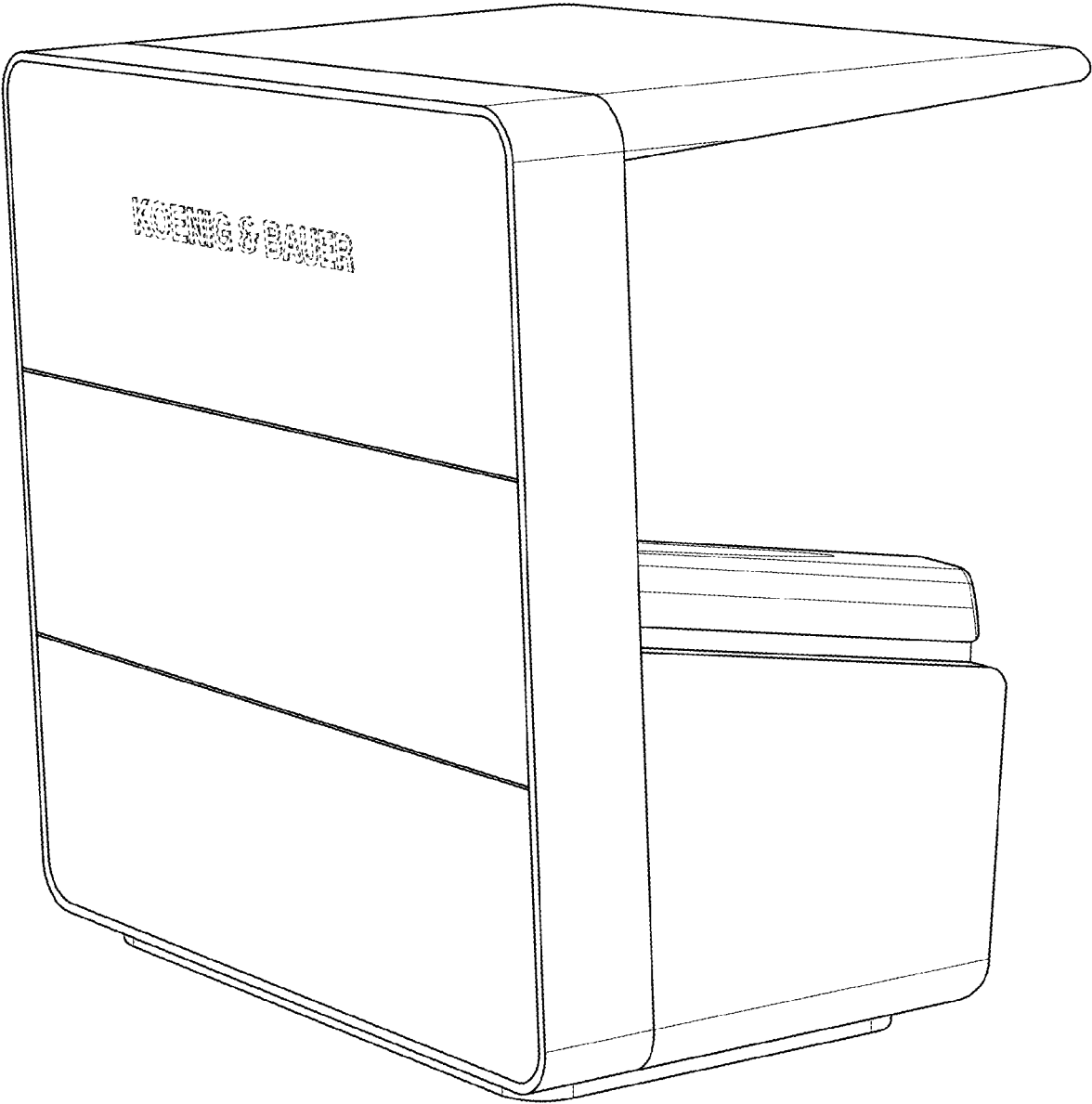
2.1



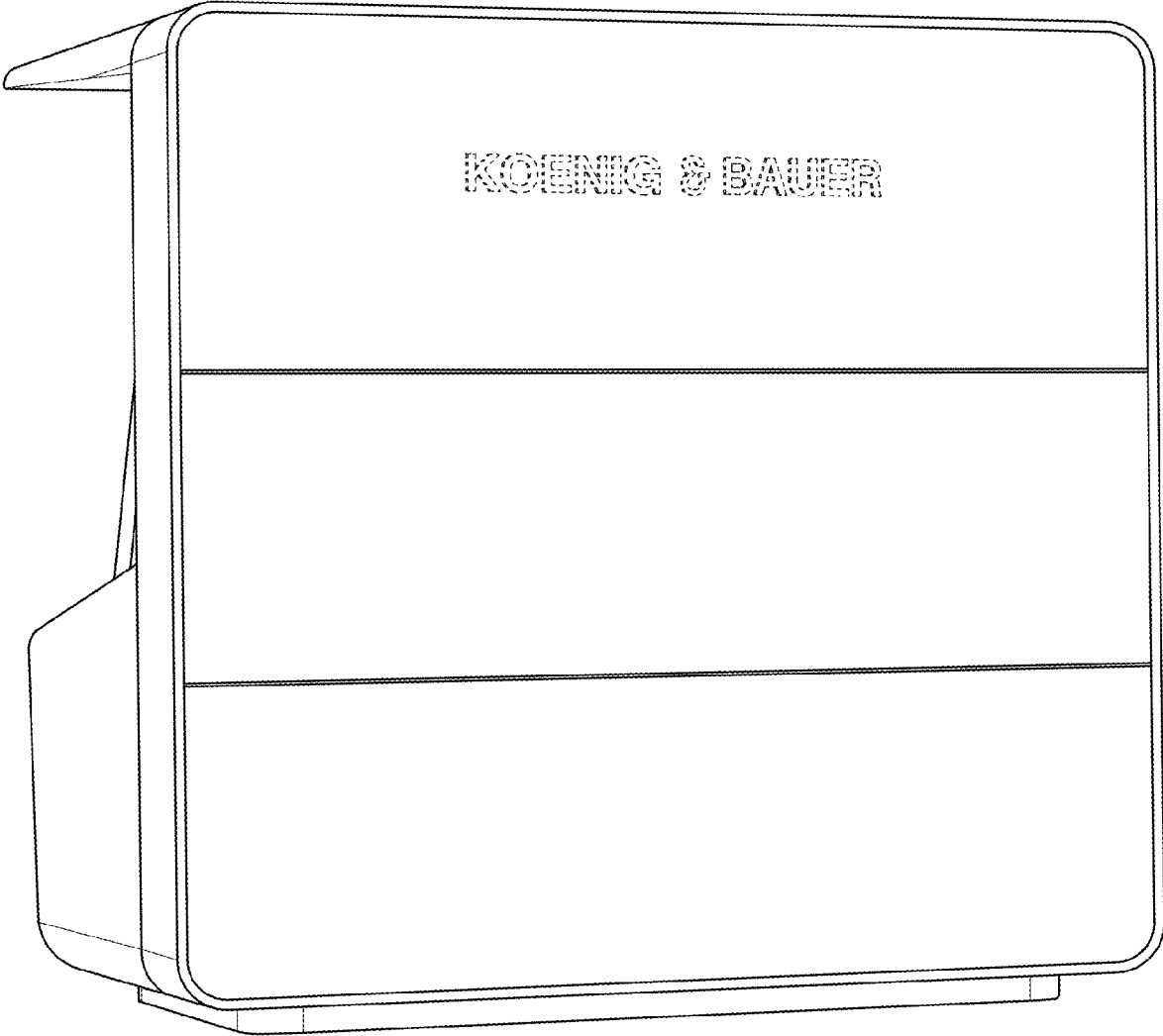
2.2



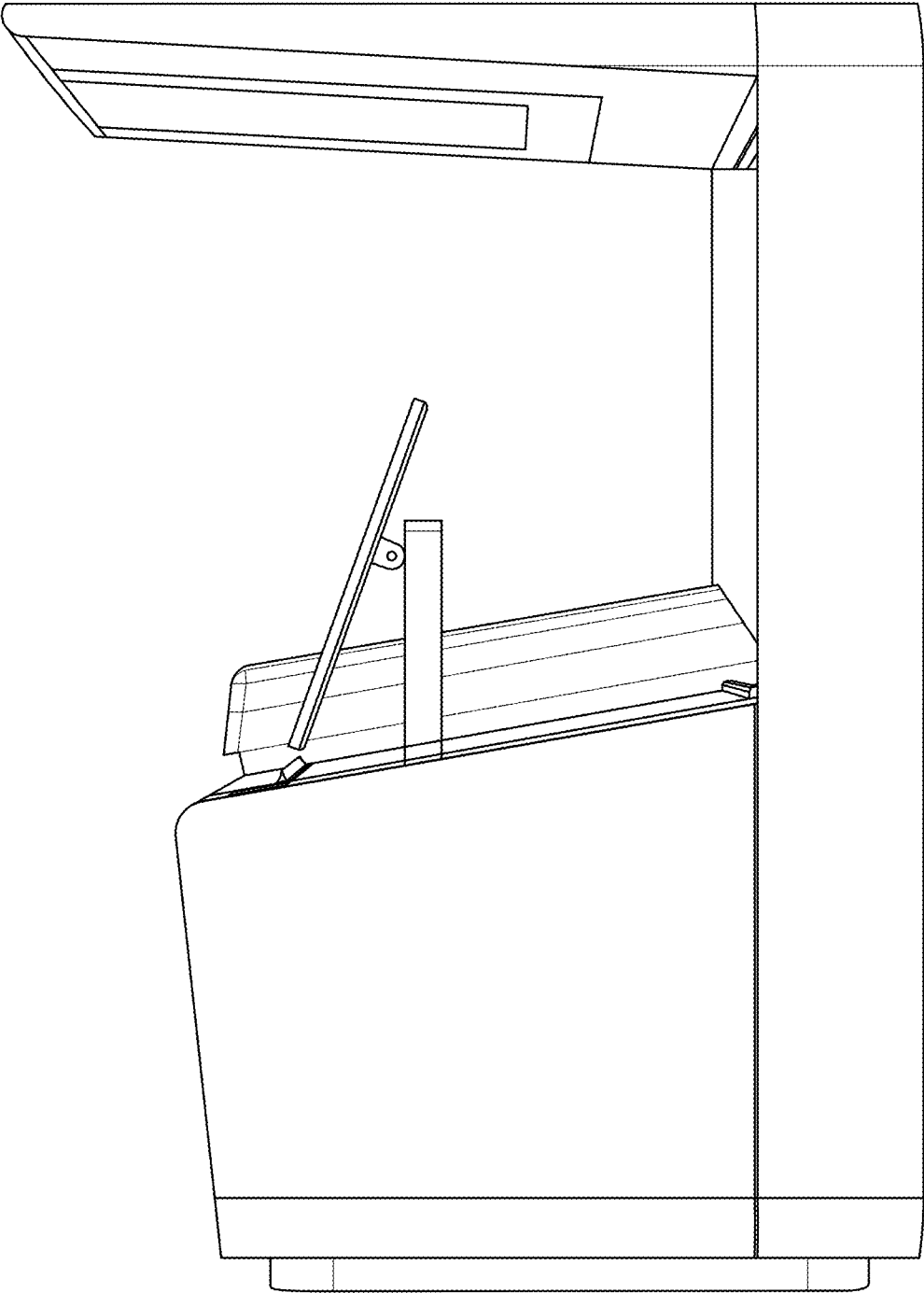
2.3



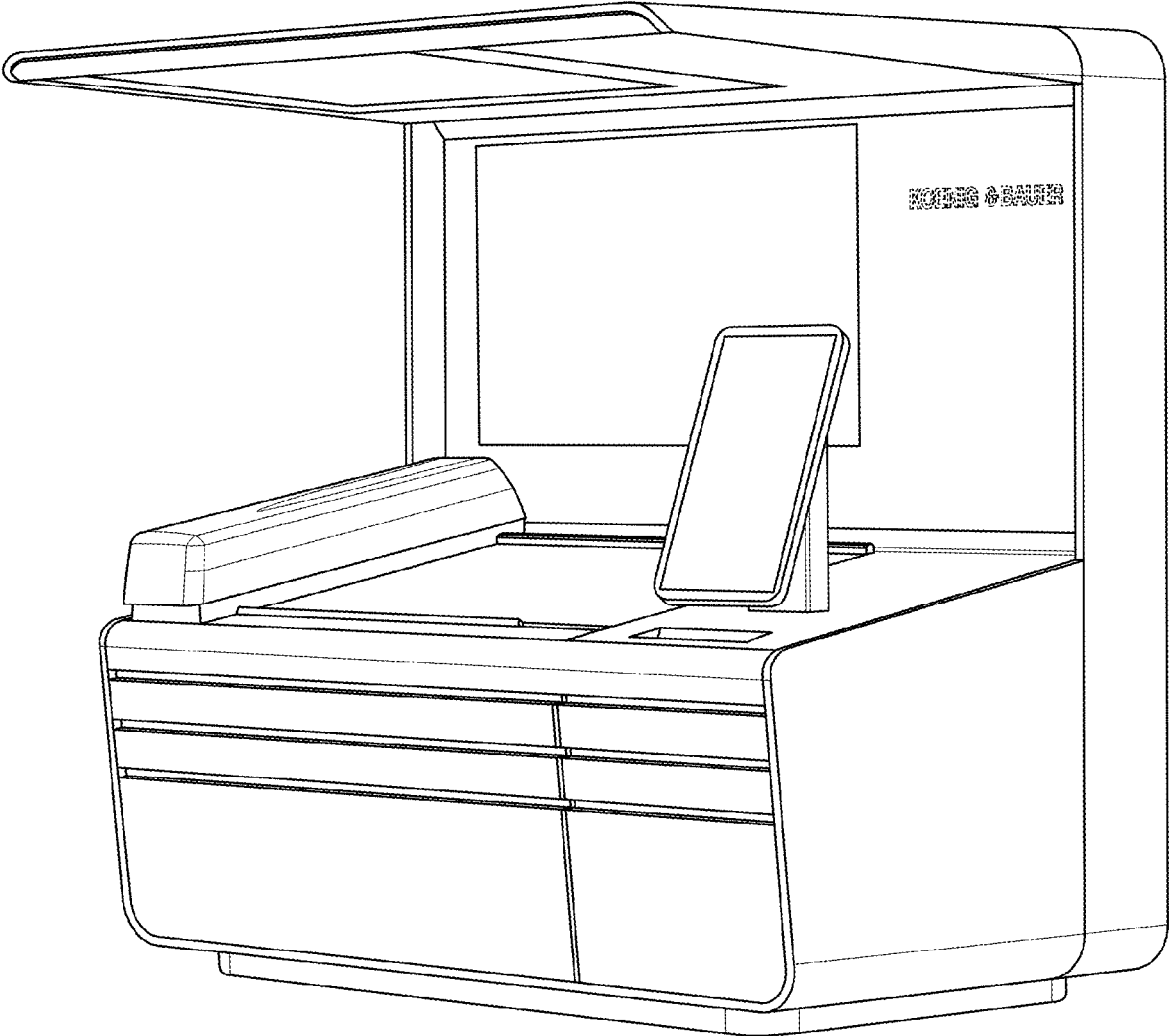
2.4



2.5



2.6



2.7