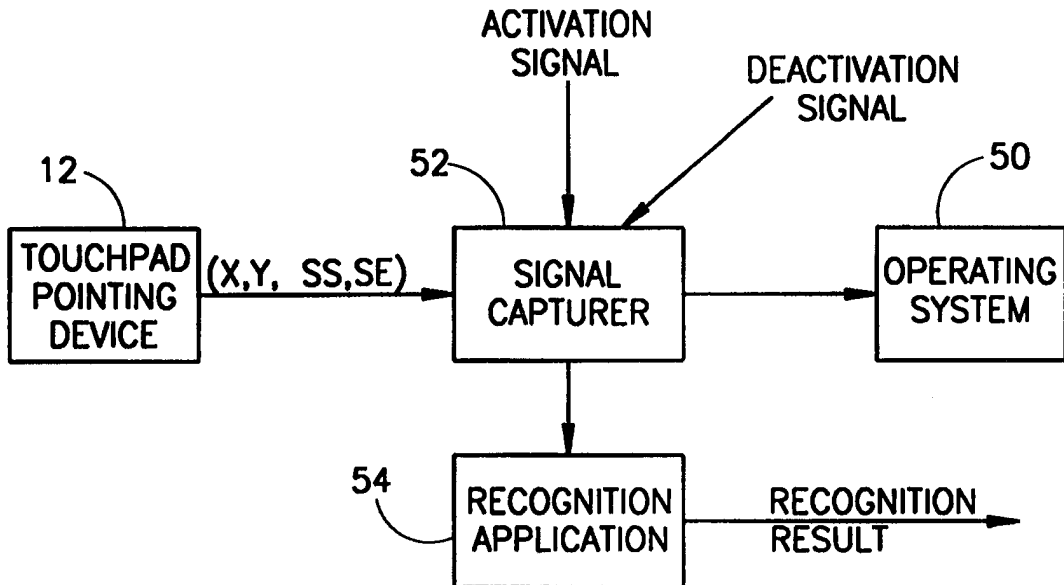




INTERNATIONAL APPLICATION PUBLISHED UNDER THE PATENT COOPERATION TREATY (PCT)

<p>(51) International Patent Classification <sup>6</sup> : <b>G09G 5/00, G06K 9/00</b></p>	<p><b>A1</b></p>	<p>(11) International Publication Number: <b>WO 98/19292</b> (43) International Publication Date: 7 May 1998 (07.05.98)</p>
<p>(21) International Application Number: PCT/IL97/00341 (22) International Filing Date: 26 October 1997 (26.10.97) (30) Priority Data: 119498 27 October 1996 (27.10.96) IL (71) Applicant (for all designated States except US): ART-ADVANCED RECOGNITION TECHNOLOGIES LTD. [IL/IL]; Brodetsky Street 43, 69052 Tel Aviv (IL). (72) Inventors; and (75) Inventors/Applicants (for US only): ILAN, Gabriel [IL/IL]; Eliyahu Hakim Street 12, 69120 Tel Aviv (IL). KADOSH, Arie [IL/IL]; Remez Street 39/1, 22426 Naharia (IL). (74) Agent: A. TALLY EITAN – ZEEV PEARL, D. LATZER &amp; CO.; Law Offices, Lumir House, Maskit Street 22, 46733 Herzelia (IL).</p>	<p>(81) Designated States: AL, AM, AT, AU, AZ, BA, BB, BG, BR, BY, CA, CH, CN, CU, CZ, DE, DK, EE, ES, FI, GB, GE, GH, HU, ID, IL, IS, JP, KE, KG, KP, KR, KZ, LC, LK, LR, LS, LT, LU, LV, MD, MG, MK, MN, MW, MX, NO, NZ, PL, PT, RO, RU, SD, SE, SG, SI, SK, SL, TJ, TM, TR, TT, UA, UG, US, UZ, VN, YU, ZW, ARIPO patent (GH, KE, LS, MW, SD, SZ, UG, ZW), Eurasian patent (AM, AZ, BY, KG, KZ, MD, RU, TJ, TM), European patent (AT, BE, CH, DE, DK, ES, FI, FR, GB, GR, IE, IT, LU, MC, NL, PT, SE), OAPI patent (BF, BJ, CF, CG, CI, CM, GA, GN, ML, MR, NE, SN, TD, TG).</p> <p><b>Published</b> <i>With international search report. Before the expiration of the time limit for amending the claims and to be republished in the event of the receipt of amendments.</i></p>	

(54) Title: A PATTERN RECOGNITION SYSTEM



(57) Abstract

A touchpad pointing device (12, 12') utilized as a pattern input device for a pattern recognition system. The input pattern (44) received from the touchpad pointing device (12, 12') is translated into a start application command. The recognition system forms part of a computer having an operating system (50) and includes a touchpad pointing device (12, 12'), a recognition module (54) and a signal capturer (52). In addition, a unit for launching an application to run on a computer having an operating system and a pointing device (12, 12') which produces an input pattern (44) in response to movement upon it, is described. The unit includes a recognition module and a launcher. The recognition module attempts to recognize the input pattern as a previously trained launching pattern. The launcher launches the application by providing a launching command which is associated with the launching pattern to the operating device. A security application enables access to the computer upon receipt of an input signature from a user with access privileges.

**FOR THE PURPOSES OF INFORMATION ONLY**

Codes used to identify States party to the PCT on the front pages of pamphlets publishing international applications under the PCT.

<b>AL</b>	Albania	<b>ES</b>	Spain	<b>LS</b>	Lesotho	<b>SI</b>	Slovenia
<b>AM</b>	Armenia	<b>FI</b>	Finland	<b>LT</b>	Lithuania	<b>SK</b>	Slovakia
<b>AT</b>	Austria	<b>FR</b>	France	<b>LU</b>	Luxembourg	<b>SN</b>	Senegal
<b>AU</b>	Australia	<b>GA</b>	Gabon	<b>LV</b>	Latvia	<b>SZ</b>	Swaziland
<b>AZ</b>	Azerbaijan	<b>GB</b>	United Kingdom	<b>MC</b>	Monaco	<b>TD</b>	Chad
<b>BA</b>	Bosnia and Herzegovina	<b>GE</b>	Georgia	<b>MD</b>	Republic of Moldova	<b>TG</b>	Togo
<b>BB</b>	Barbados	<b>GH</b>	Ghana	<b>MG</b>	Madagascar	<b>TJ</b>	Tajikistan
<b>BE</b>	Belgium	<b>GN</b>	Guinea	<b>MK</b>	The former Yugoslav Republic of Macedonia	<b>TM</b>	Turkmenistan
<b>BF</b>	Burkina Faso	<b>GR</b>	Greece	<b>ML</b>	Mali	<b>TR</b>	Turkey
<b>BG</b>	Bulgaria	<b>HU</b>	Hungary	<b>MN</b>	Mongolia	<b>TT</b>	Trinidad and Tobago
<b>BJ</b>	Benin	<b>IE</b>	Ireland	<b>MR</b>	Mauritania	<b>UA</b>	Ukraine
<b>BR</b>	Brazil	<b>IL</b>	Israel	<b>MW</b>	Malawi	<b>UG</b>	Uganda
<b>BY</b>	Belarus	<b>IS</b>	Iceland	<b>MX</b>	Mexico	<b>US</b>	United States of America
<b>CA</b>	Canada	<b>IT</b>	Italy	<b>NE</b>	Niger	<b>UZ</b>	Uzbekistan
<b>CF</b>	Central African Republic	<b>JP</b>	Japan	<b>NL</b>	Netherlands	<b>VN</b>	Viet Nam
<b>CG</b>	Congo	<b>KE</b>	Kenya	<b>NO</b>	Norway	<b>YU</b>	Yugoslavia
<b>CH</b>	Switzerland	<b>KG</b>	Kyrgyzstan	<b>NZ</b>	New Zealand	<b>ZW</b>	Zimbabwe
<b>CI</b>	Côte d'Ivoire	<b>KP</b>	Democratic People's Republic of Korea	<b>PL</b>	Poland		
<b>CM</b>	Cameroon	<b>KR</b>	Republic of Korea	<b>PT</b>	Portugal		
<b>CN</b>	China	<b>KZ</b>	Kazakstan	<b>RO</b>	Romania		
<b>CU</b>	Cuba	<b>LC</b>	Saint Lucia	<b>RU</b>	Russian Federation		
<b>CZ</b>	Czech Republic	<b>LI</b>	Liechtenstein	<b>SD</b>	Sudan		
<b>DE</b>	Germany	<b>LK</b>	Sri Lanka	<b>SE</b>	Sweden		
<b>DK</b>	Denmark	<b>LR</b>	Liberia	<b>SG</b>	Singapore		
<b>EE</b>	Estonia						

## A PATTERN RECOGNITION SYSTEM

## FIELD OF THE INVENTION

5           The present invention relates to touchpad pointing devices generally and to their use for inputting a pattern to be recognized.

## BACKGROUND OF THE INVENTION

10           Cursor pointing devices for computers are known in the art, the most common of which is a mouse. Typically, "mice" were peripheral devices kept on the side of the computer and often required a pad along which to slide. With the popularity of laptop computers and their continual reductions in size and weight, other types of mice have been produced. For example, there are mini trackballs which are located in the middle of the keyboard and which are operated through pressure.

15           Fig. 1, to which reference is now made, illustrates a laptop computer 10 with a further type of cursor pointing device 12, known as a touchpad pointing device, and two selecting buttons 14. Although not shown, touchpad pointing devices can also be implemented as external devices connectable to a laptop or desktop computer.

20           The touchpad pointing device 12 typically is a flat pad which identifies the location of a finger, labeled 16, thereon relative to the edges of the pad or to the previous position of finger 16. The touchpad pointing device 12 also includes hardware (not shown) which translates the relative position to a position on the screen. Thus, as the finger 16 sketches a curve 20 on touchpad pointing device  
25           12, a cursor 22 follows a similar curve 24 on a screen 26 of laptop computer 10.

When the user has brought cursor 22 to a desired location, such as above the word "FILE" as shown, he executes the action by either pressing one of buttons 14 or tapping on touchpad pointing device 12.

## SUMMARY OF THE PRESENT INVENTION

The present invention utilizes touchpad pointing devices as pattern input devices. This is accomplished without changing any aspect of the operation of the touchpad pointing devices themselves. Furthermore, the present invention  
5 translates the input pattern received from a touchpad pointing device into a start application command.

There is therefore provided, in accordance with a preferred embodiment of the present invention, a recognition system forming part of a computer having an operating system. The recognition system includes a  
10 touchpad pointing device, a recognition module and a signal capturer. The touchpad pointing device produces an input pattern in response to movement thereon. The recognition module receives the input pattern and attempts to recognize the input pattern. The signal capturer captures the input pattern from the touchpad pointing device and provides it to the recognition module if so  
15 activated. The input pattern can be a gesture, a letter, a signature or any other pattern.

There is also provided, in accordance with a second preferred embodiment of the present invention, a unit for launching an application to run on a computer having an operating system and a pointing device which produces an  
20 input pattern in response to movement thereon. The unit includes a recognition module and a launcher. The recognition module receives the input pattern and attempts to recognize the input pattern as a previously trained launching pattern. The launcher captures the input pattern from the pointing device, provides it to the recognition module if so activated and provides a launching command which is  
25 associated with the launching pattern to the operating device, thereby to launch an application.

There is still further provided, in accordance with a third preferred

embodiment of the present invention, a security system for a computer which includes a security application, a touchpad pointing device, a recognition module and a signal capturer. The security application enables access to the computer upon receipt of an input signature from a user with access privileges. The  
5 touchpad pointing device produces an input signature in response to movement thereon. The recognition module receives the input signature, attempts to recognize the input pattern as similar to at least one trained signature associated therewith and provides a recognition result to the security application. The signal  
10 capturer captures the input signature from the touchpad pointing device and provides it to the recognition module if so activated by the security application.

## BRIEF DESCRIPTION OF THE DRAWINGS

The present invention will be understood and appreciated more fully from the following detailed description taken in conjunction with the drawings in which:

5            Fig. 1 is a schematic illustration of a prior art touchpad pointing device forming part of a laptop computer;

            Figs. 2A and 2B are schematic illustrations of a touchpad pointing device utilized as a pattern input device, constructed and operative in accordance with a preferred embodiment of the present invention, wherein in Fig. 2A the touchpad pointing device forms part of a laptop computer and in Fig. 2B the touchpad pointing device is an external element connected to a desktop computer;

10

            Fig. 3 is a block diagram illustration of the elements of the computer system required to provide the operation shown in Figs. 2A and 2B;

15            Fig. 4 is a schematic illustration of a translation from an input pattern to a start application command;

            Fig. 5 is a block diagram illustration of an application launcher system, constructed and operative in accordance with a preferred embodiment of the present invention, which utilizes pattern input from a pointing device;

20            Fig. 6 is a flow chart illustration of a recognition method, useful in the system of Fig. 4; and

            Fig. 7 is a flow chart illustration of a training method, useful in the system of Fig. 4.

## DETAILED DESCRIPTION OF PREFERRED EMBODIMENTS

Reference is now made to Figs. 2A and 2B which illustrate a touchpad pointing device utilized as a pattern input device, constructed and operative in accordance with a preferred embodiment of the present invention. Elements which are similar to those of Fig. 1 carry similar reference numerals. Fig. 2A shows the touchpad pointing device 12 as part of laptop computer 10 and Fig. 2B shows the touchpad pointing device, labeled 12', and buttons 14' as an external element 30 connected to a desktop computer 32 having a monitor 34 and keyboard 36. For the purposes of the present invention, both touchpad pointing devices 12 and 12' operate in the same way and, therefore, will be described together.

In accordance with a preferred embodiment of the present invention, touchpad pointing devices 12 and 12' are utilized to create patterns to be recognized. This is accomplished without changing any aspect of the operation of the touchpad pointing devices 12 and 12' themselves.

Figs. 2A and 2B show a hand 40 whose finger 42 sketches a pattern 44 on the associated touchpad pointing device 12 or 12'. Figs. 2A and 2B also show a dialog box 46 of a pattern recognition application (not shown) which displays a command 47, such as "Draw a Pattern", and the pattern 48 received thereby. Thus, in accordance with a preferred embodiment of the present invention, the movement of finger 42 inputs a pattern rather than moving the cursor as in the prior art.

The pattern recognition application can be any suitable recognition application, such as those described in U.S. Patent Applications 08/282,187, 07/978,578, 08/528,293, 08/428,806 all assigned to the common assignee of the present invention and incorporated herein by reference, which receives the input pattern 48 and translates it into a character, or set of characters, of a known



character set, such as the ASCII character set. For example, the pattern shown in Figs. 2A and 2B might be translated into the letter "W". Although not shown, it will be appreciated that multiple character patterns can also be produced on touchpad pointing devices 12 and 12'.

5           In accordance with a preferred embodiment of the present invention, devices 12 and 12' operate both as pointing devices and as pattern input devices. Typically, an activation signal must be provided to convert devices 12 and 12' from one state to the next. The activation signal can be any hot-key, such as the control key, a menu selection, a voice command or a hand-written pattern.

10           Fig. 3, to which reference is now made, illustrates the elements of the computer system, laptop, desktop, palmtop or personal digital assistant (PDA), which enable the devices 12 and 12' to operate in two modes. Fig. 3 shows the touchpad pointing device 12 and an operating system 50 to which the output of pointing device 12 is directly provided in the prior art. In accordance with a  
15 preferred embodiment of the present invention, the computer system also comprises a signal capturer 52 which acts between pointing device 12 and operating system 50, capturing the output of pointing device 12 (the (x,y) locations along the path and the start and stop indications, SS and SE respectively) as well as the activation signal. For cursor pointing device operation, signal capturer 52  
20 provides the output of pointing device 12 directly to operating system 50. However, after receipt of the activation signal, signal capturer 52 provides the output of pointing device 12 to a recognition application 54 which produces a recognition result. Signal capturer 52 will continue to do so until receiving a deactivation signal, which can be a hot-key operation, a menu operation, or the  
25 closing of the recognition application 54.

It will be appreciated that the redirection operation of signal capturer 52 can be a feature of the operating system 50. In this situation, the activation signal is provided directly to operating system 50 which then provides the input pattern

directly to the recognition application 54.

In accordance with a further preferred embodiment of the present invention, the system of Fig. 3 is operative to provide security to the computer. In this embodiment, the input pattern is the user's personal signature which he signs  
5 on the touchpad pointing device 12. After receiving an activation signal from an external application, such as a security application or a screen saver which requires a password to stop the screen saving action, the signal capturer 52 waits for input from the user and redirects the input pattern to the recognition application 54. Recognition application 54 includes therein at least one trained personal  
10 signature and attempts to match the input pattern with the trained signatures associated therewith. Recognition application 54 provides the recognition result to the application which provided the activation signal which, in turn, enables access to the computer only if the recognition result was positive.

In accordance with a second preferred embodiment of the present  
15 invention, the input pattern, received from a touchpad pointing device or from any other type of pointing device, is translated into a launch application command. Thus, a user can write a word, a gesture, or a simple character of his choosing with the pointing device and thereby launch an application. For example, the almost W-shaped pattern 48 of Figs. 2A and 2B might launch a word processing  
20 application.

Fig. 4 illustrates an exemplary set of patterns and their associated commands. For example, the handwritten W or w will cause a file called "Karen.doc" to be edited. The handwritten T causes a different file, "Trip.doc" to be edited. The handwritten C launches a calculator program and the handwritten  
25 N launches the Navigator™ browser, commercially available from Netscape Communications Corporation of California, USA.

The system to perform this is shown in Fig. 5, to which reference is

now made. In the embodiment of Fig. 5, a launching unit 56, comprising a distributor 60 and a launching manager 62, replaces signal capturer 52. Furthermore, the recognition application is a matching module 64 which provides the results of its pattern matching to launching manager 62 and the pointing device, labeled 58, can be any type of pointing device.

Distributor 60 captures the output of pointing device 58 and provides it to one or both of launching manager 62 and operating system 50. If launching manager 62 is active and if it has received the activation signal, it will provide the output of pointing device 58 to matching module 64. If no activation signal has been received, launching manager 62 will ignore the output of pointing device 58.

Matching module 64 both attempts to match the pattern from pointing device 58 to a library 66 of patterns associated therewith and accepts patterns to be placed into library 66, in an action known as "training". The library 66 comprises patterns trained by the user and an identifier for the pattern. The results of the match (either a rejection or the identifier) are provided back to launching manager 62 which converts the identifier to a "launch application" command. The identifier can either be an alphanumeric identifier or a string associated with the command. In either case, launching manager 62 provides the command associated with the pattern to operating system 50. Launching manager 62 then ignores further input patterns until it receives a further activation signal.

Figs. 6 and 7 illustrate the method performed by distributor 60, launching manager 62 and matching module 64 during recognition and pattern training, respectively. The recognition method of Fig. 6 begins by setting, in step 70, matching module 64 to the matching mode. The pattern data is then received (step 72) and provided (step 74) to matching module 64.

In step 76, launching manager 62 calls matching module 64 to perform

the recognition and to return the match results. If the match was successful, as checked in step 78, launching manager 62 determines the associated command and sends the launch application command to operating system 50.

5 The training method of Fig. 7 begins by setting, in step 84, matching module 64 to the training mode. The pattern data is then passed to matching module 64 as in the recognition method. Launching manager 62 also receives an associated command in step 86.

10 In step 88 launching manager 62 calls matching module 64 to train the pattern and to associate it with an identifier. Step 90, in which the identifier is associated with the command, can be performed by matching module 64 or by launching manager 62.

15 It will be appreciated that the system of Fig. 5 can also operate with a voice input pattern. In this embodiment, the pointing device 58 is replaced by a microphone and the matching module is a voice pattern matching module. The remaining elements operate as described hereinabove.

It will be appreciated by persons skilled in the art that the present invention is not limited to what has been particularly shown and described hereinabove. Rather the scope of the present invention is defined only by the claims which follow:

**CLAIMS**

1. The use of a touchpad pointing device as a pattern input device to a pattern recognizer.
2. A recognition system forming part of a computer having an operating system, the recognition system comprising:
  - a touchpad pointing device for producing an input pattern in response to movement thereon;
  - a recognition module for receiving said input pattern and for attempting to recognize said input pattern; and
  - 10 a signal capturer for capturing said input pattern from said touchpad pointing device and for providing it to said recognition module if so activated.
3. A recognition system according to claim 2 and wherein said input pattern is at least one of the following group: a gesture, a character and a signature.
- 15 4. A unit for launching an application to run on a computer having an operating system and a pointing device, the pointing device producing an input pattern in response to movement thereon, the unit comprising:
  - a recognition module for receiving said input pattern and for attempting to recognize said input pattern as a previously trained launching pattern; and

a launcher for capturing said input pattern from said pointing device, for providing it to said recognition module if so activated and for providing a launching command, associated with said launching pattern, to said operating device, thereby to launch an application.

5 5. A security system for a computer, the security system comprising:

a security application for enabling access to said computer upon receipt of an input signature from a user with access privileges;

a touchpad pointing device for producing an input signature in response to movement thereon;

10 a recognition module for receiving said input signature, for attempting to recognize said input pattern as similar to at least one trained signature associated therewith and for providing a recognition result to said security application; and

15 a signal capturer for capturing said input signature from said touchpad pointing device and for providing it to said recognition module if so activated by said security application.

1/7

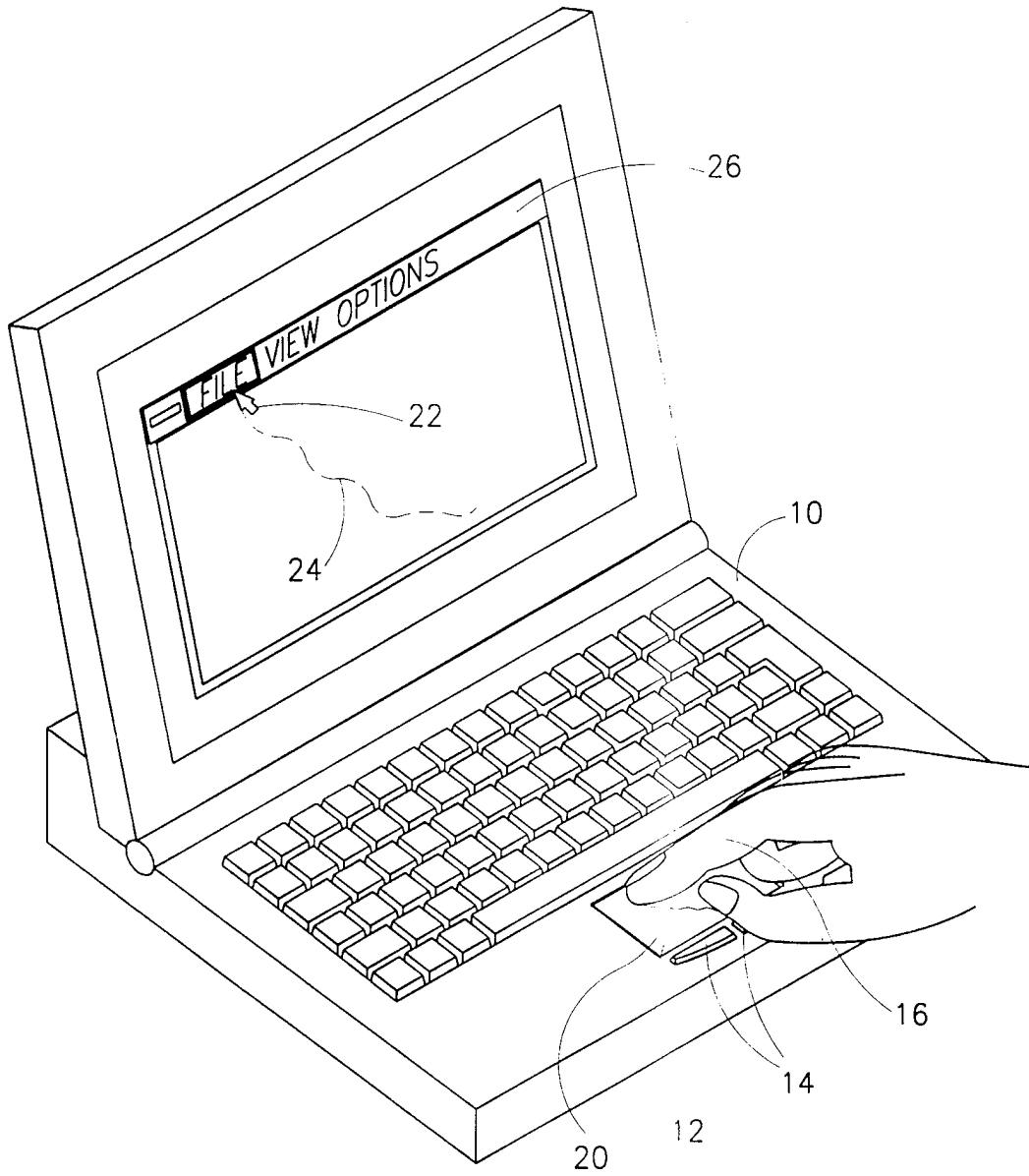


FIG. 1  
PRIOR ART

2/7

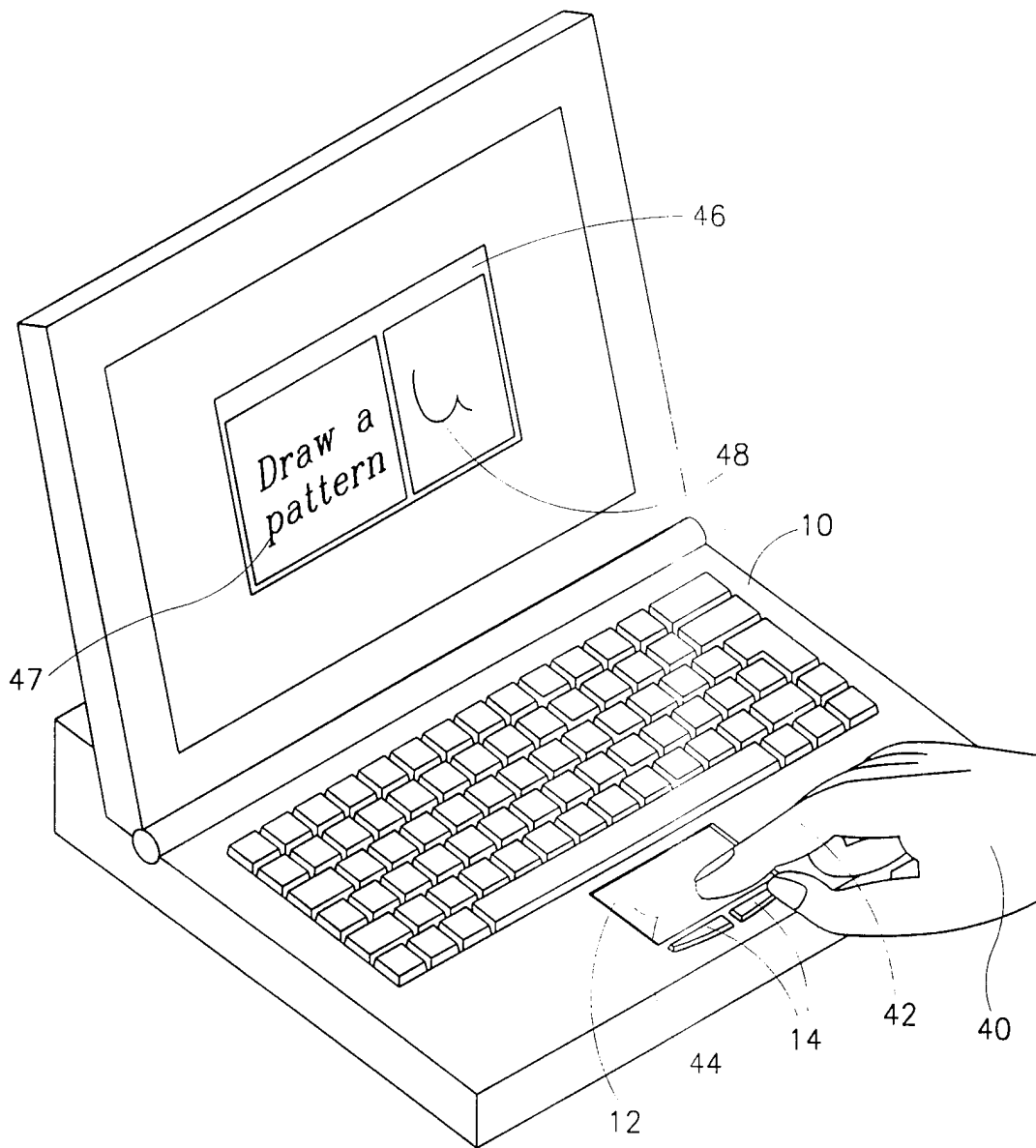


FIG.2A



3/7

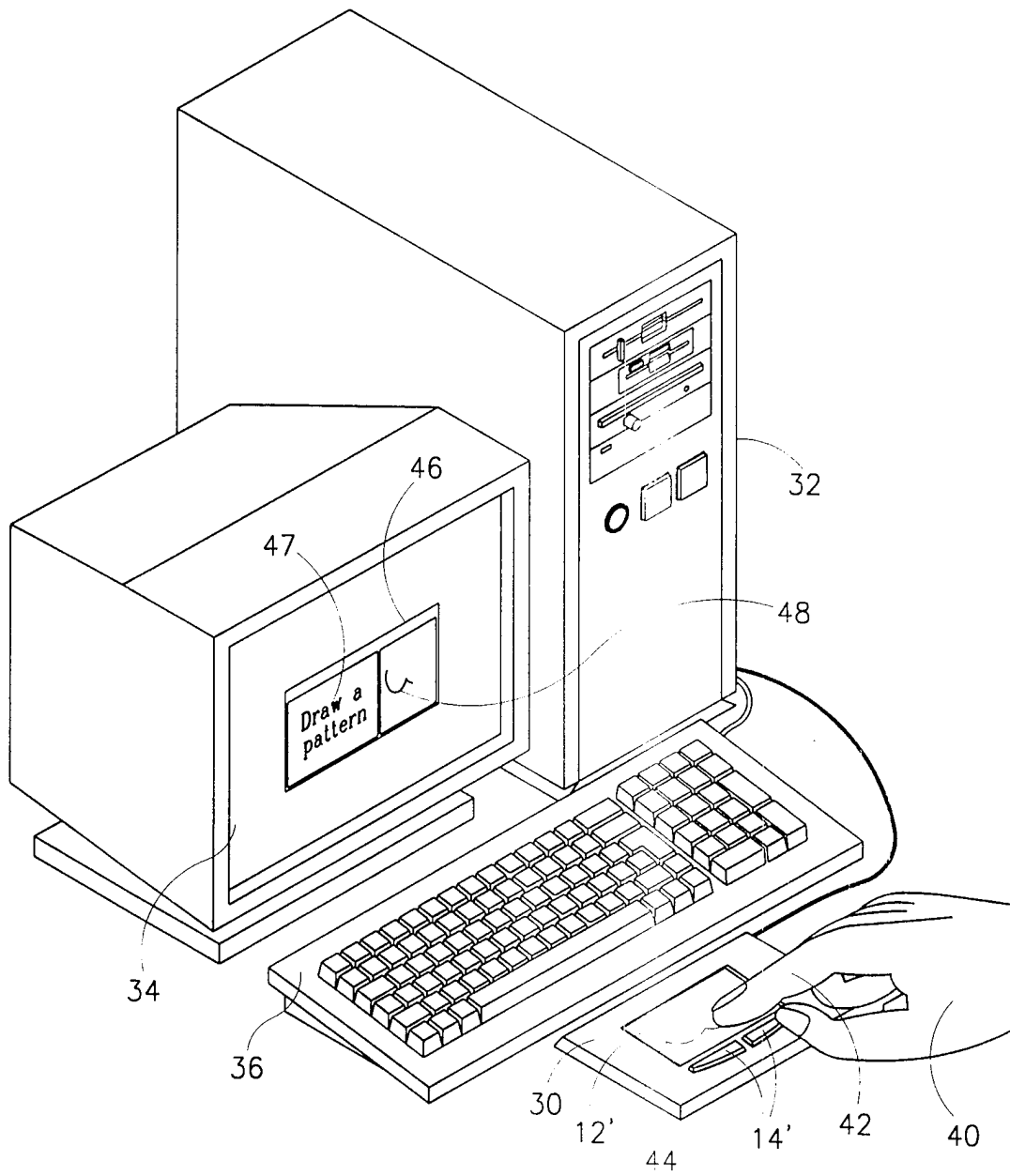


FIG. 2B

4/7

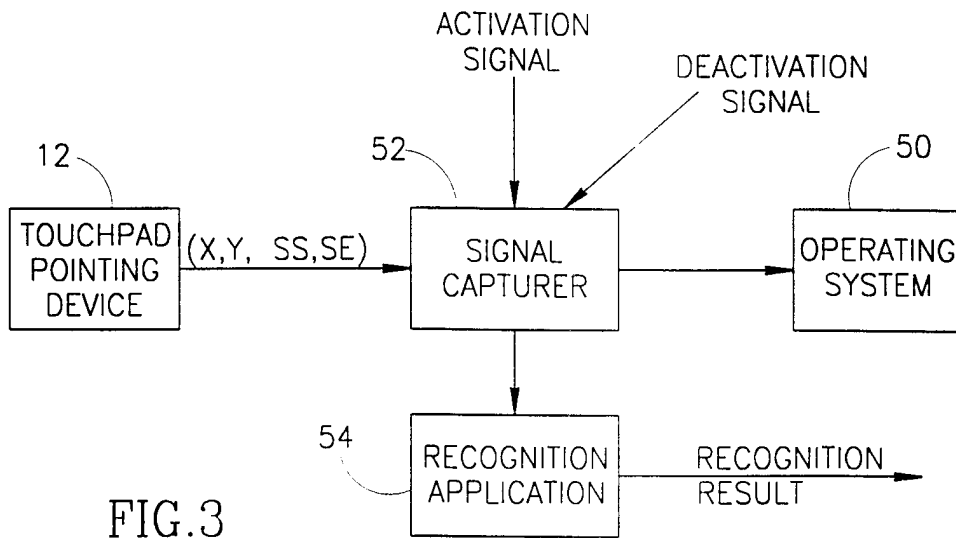


FIG.3

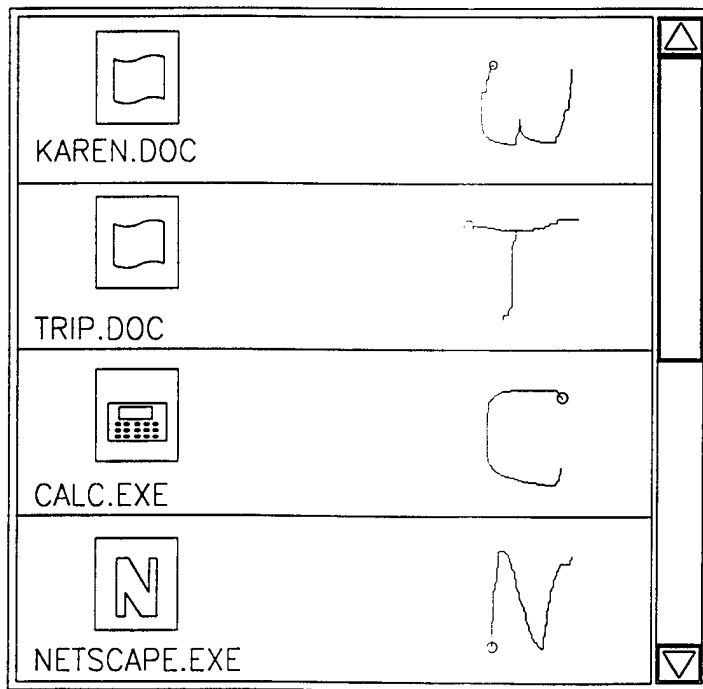


FIG.4

5/7

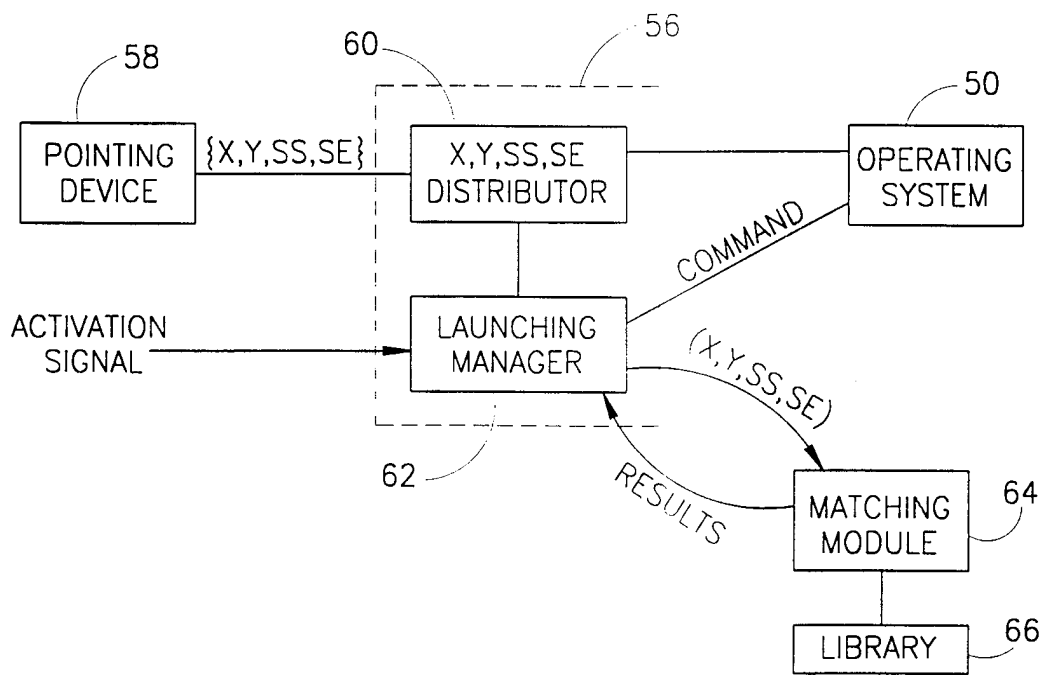


FIG. 5

6/7

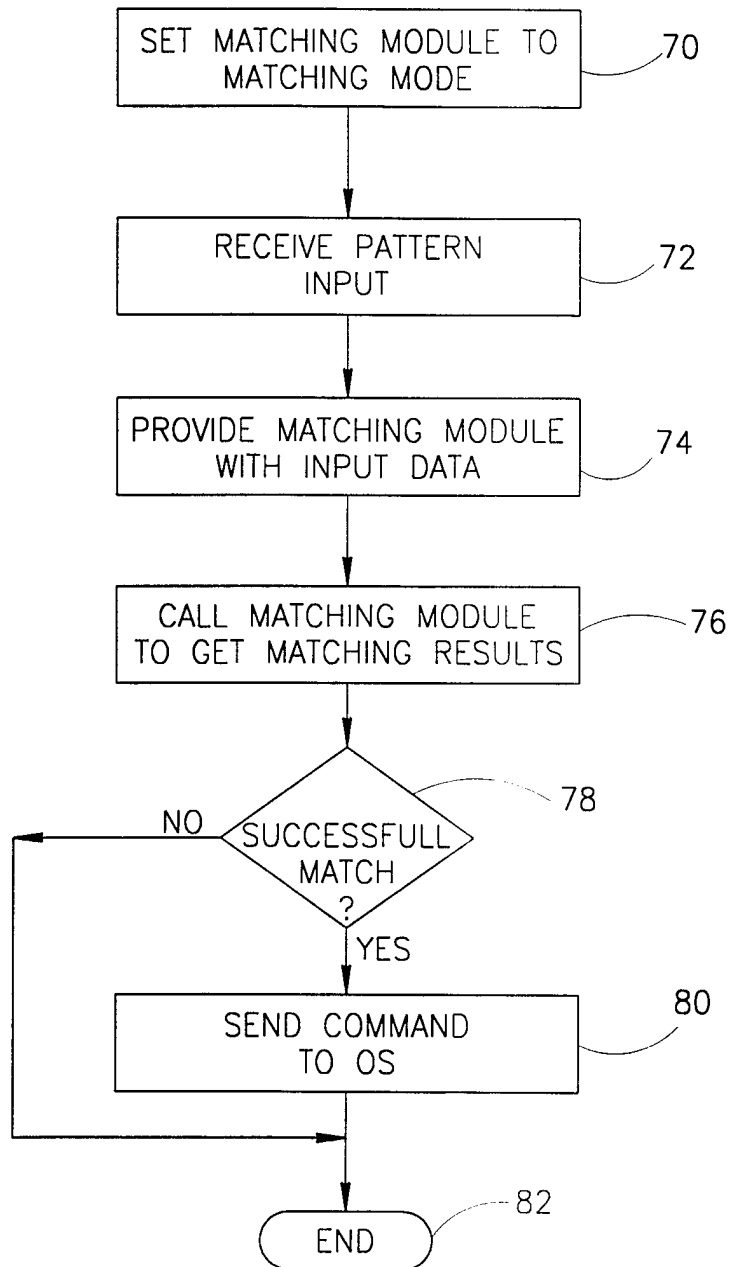


FIG.6

7/7

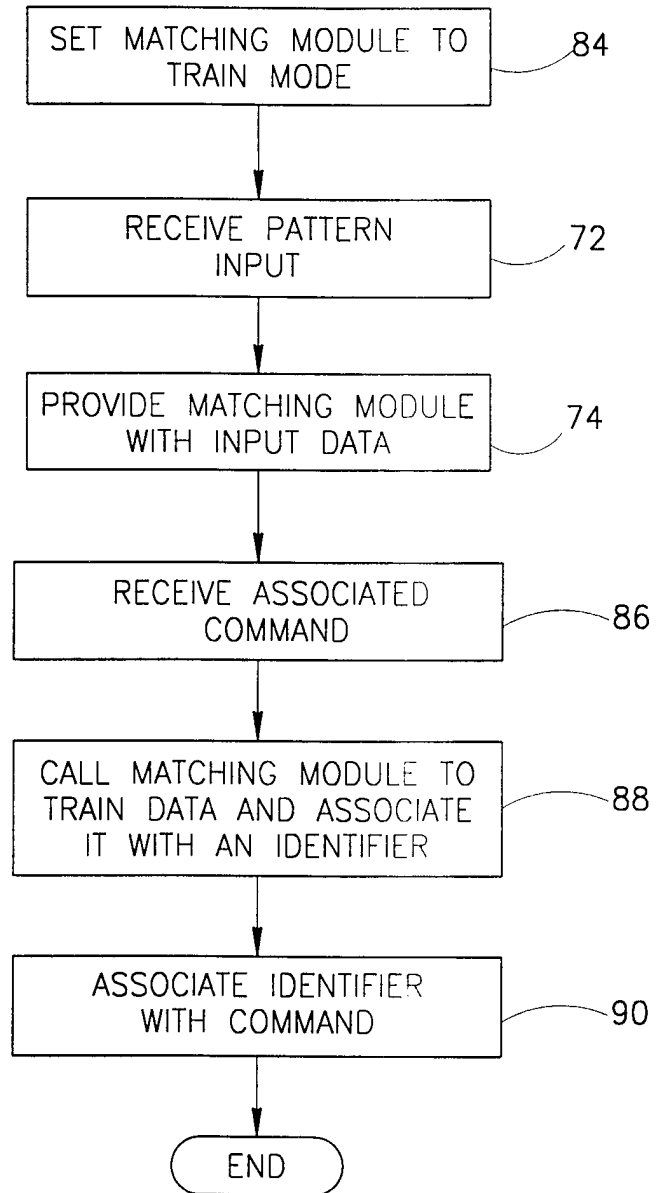


FIG.7

INTERNATIONAL SEARCH REPORT

International application No.  
PCT/IL97/00341

<p><b>A. CLASSIFICATION OF SUBJECT MATTER</b>                  IPC(6) :G09G 5/00; G06K 9/00                  US CL :345/173, 179-183; 382/181, 187-189; 340/825.34                  According to International Patent Classification (IPC) or to both national classification and IPC</p>																				
<p><b>B. FIELDS SEARCHED</b>                  Minimum documentation searched (classification system followed by classification symbols)                  U.S. : 345/173, 179-183; 382/181, 187-189; 340/825.34</p> <p>Documentation searched other than minimum documentation to the extent that such documents are included in the fields searched</p> <p>Electronic data base consulted during the international search (name of data base and, where practicable, search terms used)</p>																				
<p><b>C. DOCUMENTS CONSIDERED TO BE RELEVANT</b></p> <table border="1"> <thead> <tr> <th>Category*</th> <th>Citation of document, with indication, where appropriate, of the relevant passages</th> <th>Relevant to claim No.</th> </tr> </thead> <tbody> <tr> <td>X</td> <td>US 5,454,046 A (CARMAN, II) 26 September 1995, Figs. 1, 2, col. 9, line 46-col. 10, line 59.</td> <td>1-3</td> </tr> <tr> <td>X</td> <td>US 5,568,604 A (HANSEN) 22 October 1996, Fig. 2, col. 5, line 7 to col. 6, line 5.</td> <td>1-4</td> </tr> <tr> <td>X</td> <td>EP 0 593 386 A (FITZPATRICK ET AL) 20 April 1994, Figs. 3-5</td> <td>1-5</td> </tr> </tbody> </table>			Category*	Citation of document, with indication, where appropriate, of the relevant passages	Relevant to claim No.	X	US 5,454,046 A (CARMAN, II) 26 September 1995, Figs. 1, 2, col. 9, line 46-col. 10, line 59.	1-3	X	US 5,568,604 A (HANSEN) 22 October 1996, Fig. 2, col. 5, line 7 to col. 6, line 5.	1-4	X	EP 0 593 386 A (FITZPATRICK ET AL) 20 April 1994, Figs. 3-5	1-5						
Category*	Citation of document, with indication, where appropriate, of the relevant passages	Relevant to claim No.																		
X	US 5,454,046 A (CARMAN, II) 26 September 1995, Figs. 1, 2, col. 9, line 46-col. 10, line 59.	1-3																		
X	US 5,568,604 A (HANSEN) 22 October 1996, Fig. 2, col. 5, line 7 to col. 6, line 5.	1-4																		
X	EP 0 593 386 A (FITZPATRICK ET AL) 20 April 1994, Figs. 3-5	1-5																		
<p><input type="checkbox"/> Further documents are listed in the continuation of Box C. <input type="checkbox"/> See patent family annex.</p>																				
<table border="0"> <tr> <td>* Special categories of cited documents:</td> <td>*T*</td> <td>later document published after the international filing date or priority date and not in conflict with the application but cited to understand the principle or theory underlying the invention</td> </tr> <tr> <td>*A* document defining the general state of the art which is not considered to be of particular relevance</td> <td>*X*</td> <td>document of particular relevance; the claimed invention cannot be considered novel or cannot be considered to involve an inventive step when the document is taken alone</td> </tr> <tr> <td>*E* earlier document published on or after the international filing date</td> <td>*Y*</td> <td>document of particular relevance; the claimed invention cannot be considered to involve an inventive step when the document is combined with one or more other such documents, such combination being obvious to a person skilled in the art</td> </tr> <tr> <td>*L* document which may throw doubts on priority claim(s) or which is cited to establish the publication date of another citation or other special reason (as specified)</td> <td>*&amp;*</td> <td>document member of the same patent family</td> </tr> <tr> <td>*O* document referring to an oral disclosure, use, exhibition or other means</td> <td></td> <td></td> </tr> <tr> <td>*P* document published prior to the international filing date but later than the priority date claimed</td> <td></td> <td></td> </tr> </table>			* Special categories of cited documents:	*T*	later document published after the international filing date or priority date and not in conflict with the application but cited to understand the principle or theory underlying the invention	*A* document defining the general state of the art which is not considered to be of particular relevance	*X*	document of particular relevance; the claimed invention cannot be considered novel or cannot be considered to involve an inventive step when the document is taken alone	*E* earlier document published on or after the international filing date	*Y*	document of particular relevance; the claimed invention cannot be considered to involve an inventive step when the document is combined with one or more other such documents, such combination being obvious to a person skilled in the art	*L* document which may throw doubts on priority claim(s) or which is cited to establish the publication date of another citation or other special reason (as specified)	*&*	document member of the same patent family	*O* document referring to an oral disclosure, use, exhibition or other means			*P* document published prior to the international filing date but later than the priority date claimed		
* Special categories of cited documents:	*T*	later document published after the international filing date or priority date and not in conflict with the application but cited to understand the principle or theory underlying the invention																		
*A* document defining the general state of the art which is not considered to be of particular relevance	*X*	document of particular relevance; the claimed invention cannot be considered novel or cannot be considered to involve an inventive step when the document is taken alone																		
*E* earlier document published on or after the international filing date	*Y*	document of particular relevance; the claimed invention cannot be considered to involve an inventive step when the document is combined with one or more other such documents, such combination being obvious to a person skilled in the art																		
*L* document which may throw doubts on priority claim(s) or which is cited to establish the publication date of another citation or other special reason (as specified)	*&*	document member of the same patent family																		
*O* document referring to an oral disclosure, use, exhibition or other means																				
*P* document published prior to the international filing date but later than the priority date claimed																				
Date of the actual completion of the international search 05 FEBRUARY 1998		Date of mailing of the international search report 11 MAR 1998																		
Name and mailing address of the ISA/US Commissioner of Patents and Trademarks Box PCT Washington, D.C. 20231 Facsimile No. (703) 305-3230		Authorized officer REGINA LIANG <i>Jon</i> <i>Wald</i> Telephone No. (703) 305-4719																		