



US00D631831S

(12) **United States Design Patent**  
**Onnerud et al.**

(10) **Patent No.:** **US D631,831 S**

(45) **Date of Patent:** **\*\* \*Feb. 1, 2011**

(54) **BATTERY PACK**

(75) Inventors: **Per Onnerud**, Framingham, MA (US);  
**Christina M. Lampe-Onnerud**,  
Framingham, MA (US)

(73) Assignee: **Boston-Power, Inc.**, Westborough, MA  
(US)

(\* ) Notice: This patent is subject to a terminal disclaimer.

(\*\* ) Term: **14 Years**

(21) Appl. No.: **29/312,311**

(22) Filed: **Oct. 14, 2008**

(51) **LOC (9) Cl.** ..... **13-02**

(52) **U.S. Cl.** ..... **D13/103**

(58) **Field of Classification Search** ..... D13/102–106,  
D13/110, 118–119, 184; 429/96–100, 163,  
429/176

See application file for complete search history.

(56) **References Cited**

**U.S. PATENT DOCUMENTS**

1,075,556 A *	10/1913	Fenoughty	429/99
4,151,583 A *	4/1979	Miller	362/205
4,288,733 A *	9/1981	Bilanceri et al.	320/113
4,532,194 A *	7/1985	Liautaud et al.	429/99
4,559,588 A	12/1985	Engelson et al.	
D283,812 S *	5/1986	Liautaud et al.	D13/103
D303,373 S *	9/1989	Ching, Jr.	D13/103
D306,851 S *	3/1990	Weimann	D13/103
D307,133 S *	4/1990	Ching, Jr.	D13/103
D307,260 S *	4/1990	Happy et al.	D13/102
5,001,772 A *	3/1991	Holcomb et al.	455/575.1
D334,169 S	3/1993	Antonczak	
5,246,790 A *	9/1993	Mooney et al.	429/7
5,357,411 A	10/1994	Menke et al.	
D372,701 S *	8/1996	Tahmassebpur	D13/103
D388,060 S *	12/1997	Tanaka et al.	D13/103
D390,187 S *	2/1998	Urvoy	D13/103
5,736,271 A *	4/1998	Cisar et al.	429/96

5,736,272 A *	4/1998	Veenstra et al.	429/99
5,804,332 A	9/1998	Shimizu et al.	
D406,258 S *	3/1999	Segers	D13/103
D409,975 S *	5/1999	Zeller	D13/103
5,907,227 A	5/1999	Domei et al.	
5,928,809 A *	7/1999	Ju	429/100
5,958,618 A *	9/1999	Sullivan	429/99
5,962,159 A *	10/1999	Satou et al.	429/99
D424,513 S *	5/2000	Birkestrand	D13/103

(Continued)

**OTHER PUBLICATIONS**

TechRepublic Photo Gallery blog, Author Unknown, titled "Boston-Power's 'Sonata' battery". Dated Jan. 30, 2007 (Part 1 of 2) (2 pages). ([http://techrepublic.com.com/2346-10877\\_11-42504-1.html](http://techrepublic.com.com/2346-10877_11-42504-1.html)).\*

(Continued)

*Primary Examiner*—Rosemary K Tarcza  
(74) *Attorney, Agent, or Firm*—Hamilton, Brook, Smith & Reynolds, P.C.

(57) **CLAIM**

The ornamental design for a battery pack, as shown and described.

**DESCRIPTION**

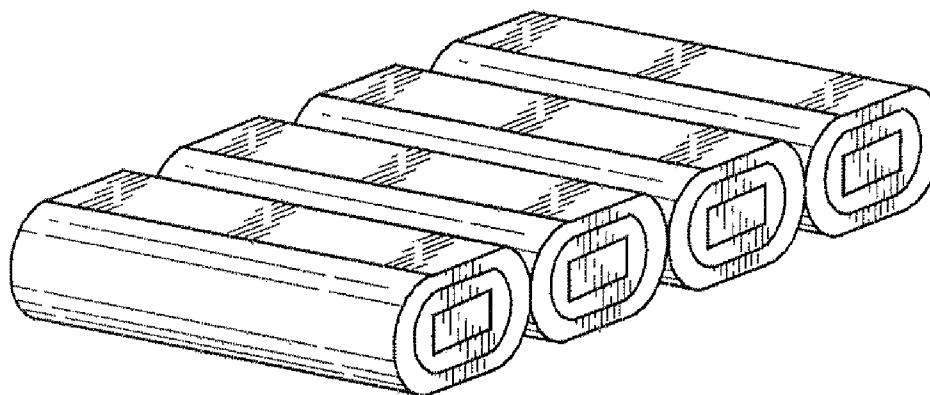
FIG. 1 is a perspective view of a battery pack showing our new design.

FIG. 2 is a top plan view of FIG. 1, with the bottom plan view being identical.

FIG. 3 is a side elevational view of FIG. 1, with the other side view being identical; and,

FIG. 4 is a front elevational view of FIG. 1, with the rear view being identical.

**1 Claim, 1 Drawing Sheet**



## U.S. PATENT DOCUMENTS

D424,933	S *	5/2000	Albright et al. ....	D9/423	7,614,107	B2	11/2009	Cobabe et al.
D425,417	S *	5/2000	Gaffney et al. ....	D9/423	2002/0022159	A1 *	2/2002	Pierson et al. .... 429/1
6,120,932	A *	9/2000	Slipy et al. ....	429/99	2003/0003350	A1 *	1/2003	Heimer et al. .... 429/99
6,218,042	B1 *	4/2001	Naudet et al. ....	429/97	2003/0006733	A1	1/2003	Abe
6,224,997	B1 *	5/2001	Papadopoulos ....	429/99	2003/0044677	A1 *	3/2003	Naruoka .... 429/161
D445,758	S *	7/2001	Killebrew et al. ....	D13/103	2003/0129487	A1 *	7/2003	Inoue et al. .... 429/176
6,283,611	B1	9/2001	Sharrah et al.		2004/0155951	A1	8/2004	Tanaka
6,303,248	B1 *	10/2001	Peterson ....	429/177	2004/0191614	A1 *	9/2004	Iwasaki et al. .... 429/96
6,334,697	B1	1/2002	Gappelberg et al.		2004/0219422	A1 *	11/2004	Hauck et al. .... 429/96
D454,110	S *	3/2002	Andre et al. ....	D13/110	2004/0241539	A1 *	12/2004	Katayama .... 429/97
D457,133	S *	5/2002	Yoneyama ....	D13/103	2005/0058891	A1 *	3/2005	Marraffa .... 429/99
D461,163	S *	8/2002	Hirano et al. ....	D13/103	2005/0122715	A1	6/2005	Furth et al.
6,433,498	B1	8/2002	Domei et al.		2005/0144744	A1	7/2005	Thiess et al.
6,447,949	B2 *	9/2002	Iwata et al. ....	429/185	2005/0150067	A1	7/2005	Cobabe et al.
6,558,835	B1 *	5/2003	Kurisu et al. ....	429/159	2005/0191544	A1 *	9/2005	Casanova .... 429/100
6,636,732	B1 *	10/2003	Boling et al. ....	455/404.1	2006/0007721	A1 *	1/2006	Rodriguez et al. .... 363/146
D481,557	S	11/2003	Harris		2006/0024566	A1 *	2/2006	Plummer .... 429/100
D488,027	S	4/2004	Lin		2006/0034073	A1	2/2006	Uke
D491,888	S *	6/2004	Lee ....	D13/103	2006/0076923	A1 *	4/2006	Eaves .... 320/112
D504,349	S	4/2005	Shagalov		2006/0091849	A1 *	5/2006	Huynh et al. .... 320/112
6,930,697	B2	8/2005	Tanaka		2006/0119317	A1 *	6/2006	Kogan et al. .... 320/112
6,942,359	B2	9/2005	Furth et al.		2006/0176689	A1 *	8/2006	Dowdy et al. .... 362/188
D510,721	S	10/2005	Axelrod		2006/0291198	A1 *	12/2006	Dalton et al. .... 362/191
7,033,695	B2	4/2006	Sawachi		2007/0002559	A1 *	1/2007	Uke .... 362/157
D524,728	S	7/2006	Watson		2007/0019402	A1 *	1/2007	Dalton et al. .... 362/157
D528,974	S	9/2006	Tang		2007/0034258	A1	2/2007	Parsons et al.
7,105,247	B2 *	9/2006	Suzuki ....	429/96	2007/0126397	A1 *	6/2007	Kogan et al. .... 320/112
D529,437	S	10/2006	Miyashita		2007/0133197	A1 *	6/2007	Shiau .... 362/157
D529,709	S	10/2006	Swartz et al.		2007/0210745	A1 *	9/2007	Dingeldein .... 320/112
D532,363	S	11/2006	Morisawa		2007/0231680	A1	10/2007	Satoh et al.
D535,195	S	1/2007	Schwab		2007/0264536	A1 *	11/2007	Mizoguchi .... 429/9
D537,034	S *	2/2007	Kang et al. ....	D13/103	2008/0096521	A1 *	4/2008	Boling et al. .... 455/404.2
7,176,655	B2 *	2/2007	Kogan et al. ....	320/112	2008/0124618	A1 *	5/2008	Shimoyama .... 429/99
D538,222	S *	3/2007	Curello et al. ....	D13/103	2008/0182162	A1 *	7/2008	Kim .... 429/99
D543,867	S	6/2007	Yourist		2008/0211309	A1 *	9/2008	Nolte .... 307/66
D545,759	S	7/2007	Ino et al.		2008/0305387	A1 *	12/2008	Murray et al. .... 429/100
D547,264	S *	7/2007	Kondo ....	D13/103	2009/0111015	A1 *	4/2009	Wood et al. .... 429/164
D548,684	S *	8/2007	Eto et al. ....	D13/103	2009/0148754	A1 *	6/2009	Marchio et al. .... 429/83
7,270,576	B2 *	9/2007	Kim et al. ....	439/627	2009/0207595	A1 *	8/2009	Sharrah et al. .... 362/158
7,278,753	B2	10/2007	Uke		2010/0017978	A1	1/2010	Cobabe et al.
7,304,453	B2 *	12/2007	Eaves ....	320/120				
7,360,269	B2	4/2008	Cobabe et al.					
7,390,590	B2	6/2008	Wani et al.					
D576,100	S *	9/2008	Wang ....	D13/110				
D586,739	S *	2/2009	Zaremba et al. ....	D13/103				
D586,740	S *	2/2009	Song ....	D13/103				
D586,741	S *	2/2009	Song ....	D13/103				
7,510,537	B2	3/2009	Imboden et al.					
7,510,797	B2 *	3/2009	Aker et al. ....	429/120				
D597,936	S *	8/2009	Walsh et al. ....	D13/103				

## OTHER PUBLICATIONS

TechRepublic Photo Gallery blog, Author Unknown, titled "Boston-Power's 'Sonata' battery". Dated Jan. 30, 2007 (Part 2 of 2) (2 pages). ([http://techrepublic.com/2346-10877\\_11-42504-2.html](http://techrepublic.com/2346-10877_11-42504-2.html)).\*

Engadget.com article by Donald Melanson, Boston-Power unveils long-lasting "Sonata" laptop battery. Dated Jan. 30, 2007. (5 pages) (<http://www.engadget.com/2007/01/30/boston-power-unveils-long-lasting-sonata-laptop-battery/>).\*

\* cited by examiner

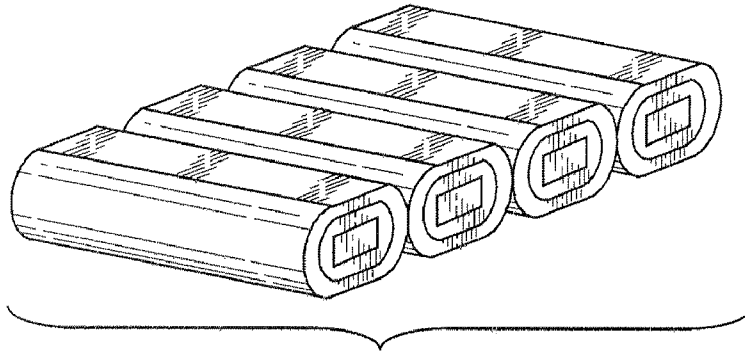


FIG. 1

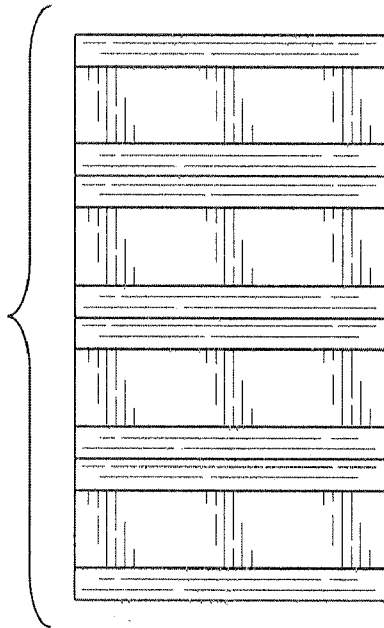


FIG. 2

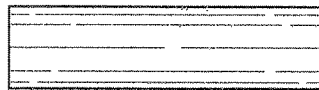


FIG. 3

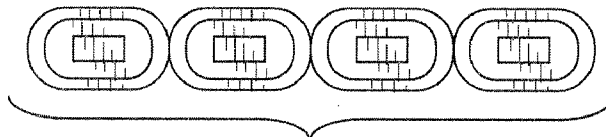


FIG. 4