

(43) Date of A Publication **07.01.1998**

<p>(21) Application No 9713425.8</p> <p>(22) Date of Filing 25.06.1997</p> <p>(30) Priority Data (31) 08164261 (32) 25.06.1996 (33) JP</p>	<p>(51) INT CL⁶ H04Q 7/18</p> <p>(52) UK CL (Edition P) G4H HRCS HRCU H1A H13D H14A H14B H14D H14G H60 U1S S2196</p> <p>(56) Documents Cited EP 0347938 A2</p> <p>(58) Field of Search UK CL (Edition O) G4H HNEL HRCE HRCS INT CL⁶ H04Q</p>
<p>(71) Applicant(s) NEC Corporation (Incorporated in Japan) 7-1,Shiba 5-Chome, Minato-Ku, Tokyo, Japan</p> <p>(72) Inventor(s) Nobuyuki Katada</p> <p>(74) Agent and/or Address for Service Mathys & Squire 100 Grays Inn Road, LONDON, WC1X 8AL, United Kingdom</p>	

(54) **Radio selective calling receiver**

(57) An individual radio selective calling receiver for selectively receiving and displaying a message transmitted by radio and having an identification number assigned thereto to selectively call the receiver includes an identification number storage section 5 which stores identification numbers including an identification number assigned to the self-receiver. An identification number copy command can be input 6 and stored 7. A radio reception section selectively receives a message to which an identification number identical to one registered in the identification number storage section 5 is assigned. When the message received by the radio reception section contains an identification number copy command the same as that stored, a message portion following the command is stored in the identification number storage section 5 as an identification number temporarily assigned to the self-receiver.

FIG. 1

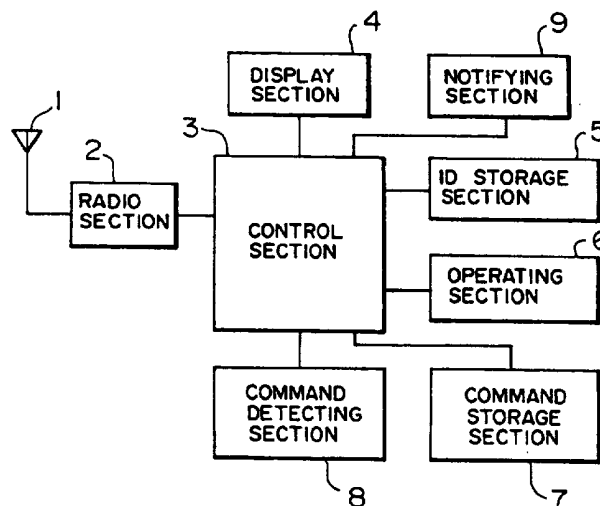


FIG. 1

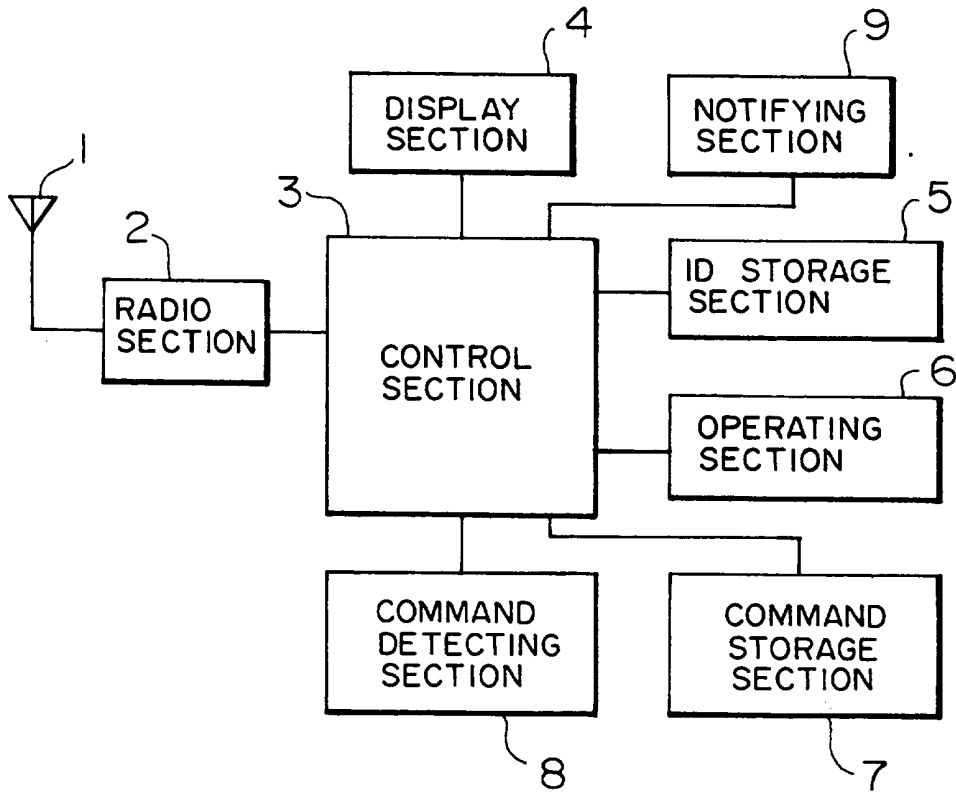


FIG. 2

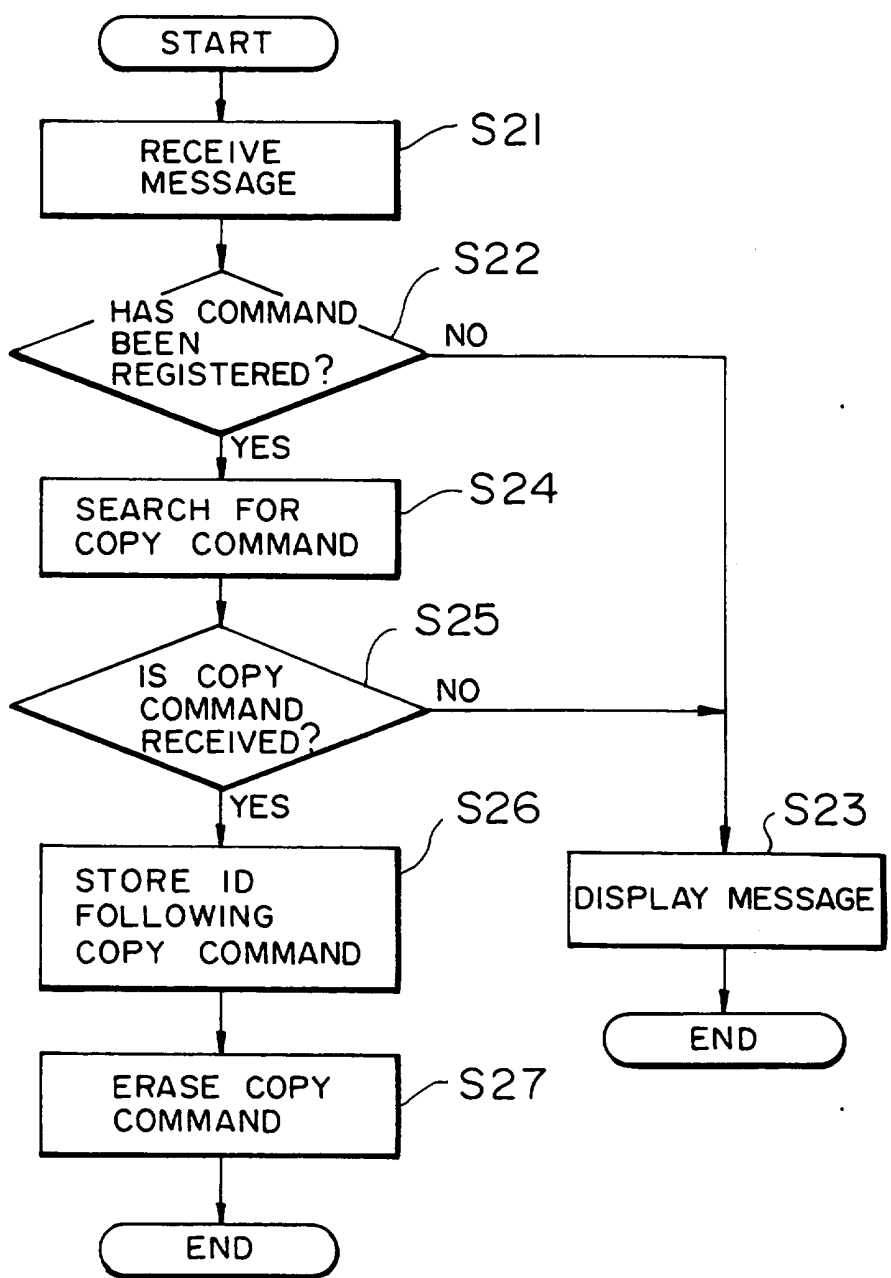


FIG. 3

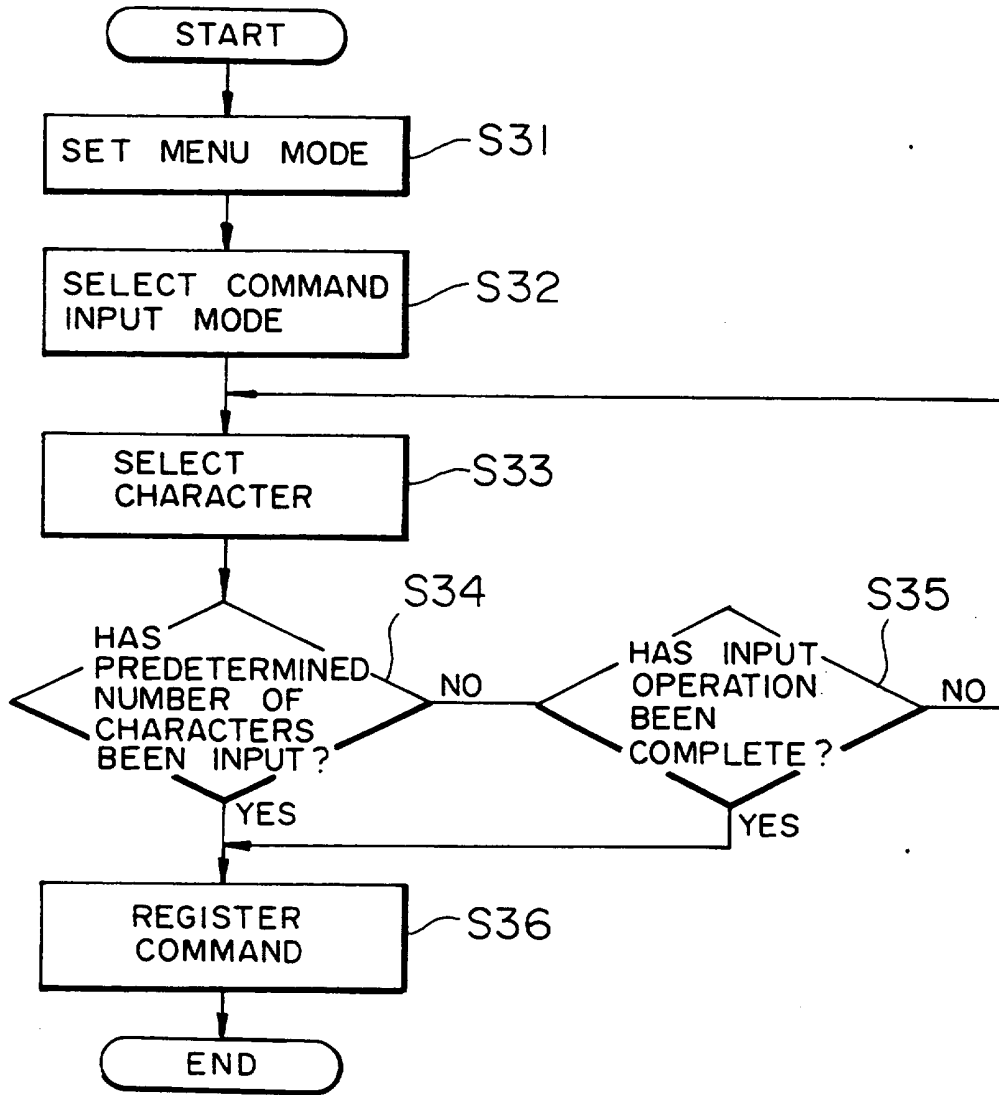


FIG. 4

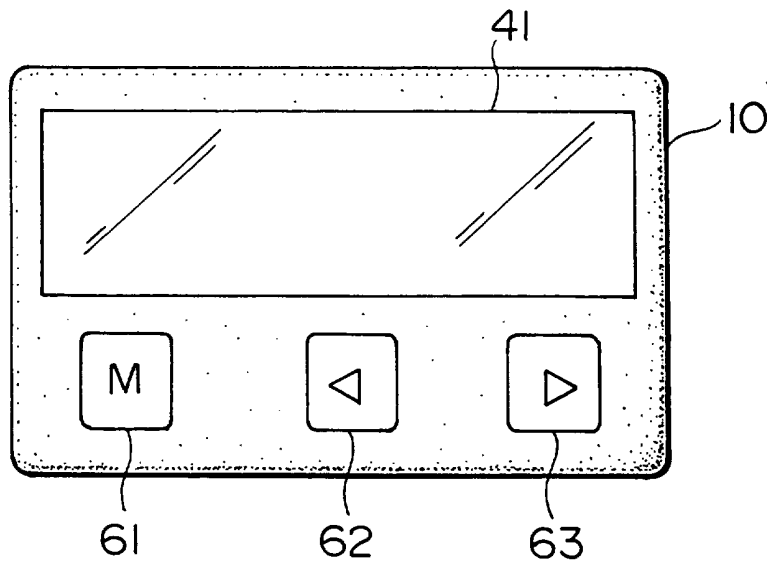


FIG. 5A



FIG. 5B



FIG. 5C

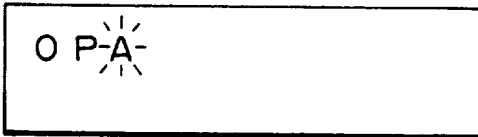


FIG. 5D

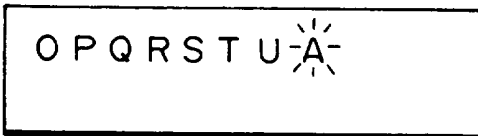


FIG. 5E



RADIO SELECTIVE CALLING RECEIVER

5 The present invention relates to a radio selective
calling receiver and, more particularly, to an individual
radio selective calling receiver for selectively receiving
a message transmitted by radio and having an identification
number assigned thereto to be selectively called, and
10 displaying the message.

Different identification numbers (to be referred to as
ID numbers hereinafter), which are addresses used for
selective calling, and corresponding telephone numbers are
15 uniquely assigned to conventional individual radio selective
calling receivers by a radio selective calling system
manager. When a caller is to call a given individual radio
selective calling receiver (user) to transmit a message
thereto, the caller originates a call to the radio selective
20 calling system to call at the corresponding telephone number
as the destination, thus transmitting the message. The
radio selective calling system adds an ID number corre-
sponding to this telephone number to the message to generate
a radio selective call signal, and transmits it as a radio
25 signal through a radio base station. When each individual

radio selective calling receiver receives the radio selective call signal and detects that an ID number identical to the stored self-ID number is contained in the received signal, the receiver recognizes that it is called, and receives and displays the succeeding message. In addition, the receiver notifies the user of the reception of the call by using a buzzer or the like.

Since the above conventional individual radio selective calling receivers respectively have different ID numbers, a calling operation must be performed a plurality of numbers of times to call the users of a plurality of individual radio selective calling receivers. In addition, even if a caller carries an individual radio selective calling receiver, since he/she cannot receive the message that he/she has transmitted, he/she cannot check whether the message has been accurately transmitted to the callees.

In order to solve this problem, as a scheme of simultaneously calling a plurality of individual radio selective calling receivers, a scheme has been proposed (Japanese Unexamined Patent Publication No. 4-329035), in which individual ID numbers are respectively assigned to a plurality of individual radio selective calling receivers held by a subscriber's family, in addition to a common telephone number, thereby allowing the users to arbitrarily select individual calling/simultaneous calling. According

to this scheme, simultaneous calling is allowed only among
a plurality of individual radio selective calling receivers
held by the same subscriber, i.e., receivers to which the
same telephone number is assigned. Furthermore, when
5 simultaneous calling is performed, all these receivers are
called, but an arbitrary combination of receivers cannot be
called. This scheme cannot be applied to a radio selective
calling system in which the ID numbers in selective call
signals are converted in one-to-one correspondence with
10 telephone numbers. Another simultaneous calling scheme has
been proposed (Japanese Unexamined Patent Publication
No. 59-15341), in which a common telephone number for
simultaneous calling is assigned to a plurality of individu-
al radio selective calling receivers, in addition to
15 telephone numbers for individual calling. According to this
scheme, however, a combination of receivers for which
simultaneous calling is to be performed must be informed to
the radio selective calling system manager in advance, and
it is difficult to change the combination frequently. In
20 addition, a caller must remember a common telephone number
for simultaneous calling as well as an individual radio
calling telephone number.

The present invention has been made in consideration of the above
situation, and has as an object of at least the preferred embodiment to
provide an

individual radio selective calling receiver which can store the ID numbers unique to other receivers as ID numbers temporarily assigned to the self-receiver, in addition to the ID number uniquely assigned to the self-receiver, to quickly and easily transmit
5 the same message to an arbitrary combination of receivers and perform transmission confirmation.

Accordingly, the present invention provides a radio selective calling receiver for selectively receiving and displaying a message transmitted by radio, said receiver comprising identification number storage means for storing a plurality of identification
10 numbers including an identification number uniquely assigned to said receiver, command registering means for inputting and storing an identification number copy command, radio reception means for selectively receiving a message to which an identification number identical to an identification number stored in said identification number storage means is assigned, command detecting means for monitoring the
15 message received by said radio reception means and detecting the identification number copy command stored in said command registering means, and control means for, when the identification number copy command is detected from the received message by said command detecting means, recognizing a message portion following the command as an identification number temporarily assigned to said receiver, and
20 storing the message portion in said identification number storage means.

In a preferred embodiment, an individual radio selective calling receiver for selectively receiving and displaying a message transmitted by radio and having an identification number assigned thereto to selectively call the receiver comprises:

identification number storage means for storing a plurality of identification
25 numbers including an identification number uniquely assigned to the self-receiver;

command registering means for inputting and storing an identification number copy command specified in advance;

radio reception means for selectively receiving a message to which an identification number identical to the identification number registered in the
30 identification number registering means is assigned;

command detecting means for monitoring the message received by the radio reception means and detecting the identification number copy command registered in the command

registering means; and

control means for, when the identification number copy command is detected from the received message by the command detecting means, recognizing a message portion following the command as an identification number temporarily assigned to the self-receiver, and registering the message portion in the identification number storage means.

In the above arrangement, the control means may erase the identification number copy command registered in the command registering means when the command detecting means detects the identification number copy command from the received message.

In addition, the receiver may further include means for erasing identification numbers registered in the identification number storage means except for the identification number assigned to the self-receiver.

According to the above,

each individual radio selective calling receiver includes the identification number storage means for storing a plurality of identification numbers including a unique identification number as identification numbers (ID numbers) to be used to identify calls addressed to the self-receiver and receive messages, the command registering means for storing an identification number copy command, and the control means for, when an identification number copy

command in a received message is detected, recognizing a message portion following the command as an identification number temporarily assigned to the self-receiver, and registering it in the identification number storage means.

5 With this arrangement, a plurality of individual radio selective calling receivers can have the same identification number, and a caller can transmit the same message (simultaneous calling) to a plurality of individual radio selective calling receivers by one calling operation. In addition, if
10 the identification number of another individual radio selective calling receiver is registered in the individual radio selective calling receiver of the caller, the caller can confirm the contents of a transmission message. If a message error is detected, the call can immediately transmit
15 the message again.

In addition, once an identification number copy command is detected from a received message, the identification number copy command is erased from the command registering means. This operation can prevent a message which is not
20 transmitted as an ID number from being set as an ID number when the message accidentally contains the same contents as an identification number copy command.

Furthermore, since the receiver includes the means for erasing the identification numbers registered in the
25 identification number storage means except for the identifi-

cation number uniquely assigned to the self-receiver, a combination of a plurality of individual radio selective calling receivers having the same identification number can be arbitrarily changed, realizing versatile simultaneous calling.

5

Preferred features of the present invention will now be described, purely by way of example only, with reference to the accompanying drawings, in which:-

10

Fig. 1 is a block diagram showing the arrangement of an embodiment of a radio selective call receiver;

15

Fig. 2 is a flow chart showing the operation of the embodiment in Fig. 1;

Fig. 3 is a flow chart showing a command registering operation in the embodiment in Fig. 1;

20

Fig. 4 is a schematic view showing the outer structure of the embodiment of the receiver; and

Figs. 5A to 5E are views sequentially showing screen display samples in a command registering operation.

25

Fig. 1 is a block diagram showing the arrangement of an embodiment of a radio selective calling receiver. Referring to Fig. 1, an individual radio selective calling receiver of this embodiment includes a radio section 2 for receiving a selective call signal converted into a radio signal and transmitted from a radio base station in a radio calling system through an antenna 1, and demodulating the signal into an ID number (identification number and address) and a message, a control section 3 for controlling the overall receiver and processing data input/output to the respective components, a display section 4 for visually displaying the received message to the user, an ID storage section 5 having an electrically programmable nonvolatile memory such as an EEPROM to store a plurality of ID numbers including an ID number uniquely assigned to the self-receiver, an operating section 6 having a push switch (SW) for inputting information and used to input an instruction from the user, e.g., instructions to select/register copy commands (identification number copy commands) specified between a plurality of users, a command storage section 7 for storing a copy command input from the operating section 6, a command detecting section 8 for detecting a copy command from a received message by referring to the command storage section 7, and a notifying section 9 for notifying the user of a call to the self-receiver by using a buzzer or the like.

The operation of this embodiment of the present invention will be described next with reference to the flow chart of Fig. 2. The ID number uniquely assigned to this individual radio selective calling receiver is stored in the ID storage section 5 in advance. The radio section 2 receives a radio selective call signal transmitted by radio from a radio base station in the radio calling system, and demodulates the signal into an ID number and a message. The control section 3 checks whether the ID number output from the radio section 2 coincides with any one of the ID numbers registered in the ID storage section 5. If the output ID number coincides with none of the ID numbers, the control section 3 determines that the call is not addressed to the self-receiver, and notifies the radio section 2 that the succeeding message need not be demodulated, thereby saving the power. If the output ID number coincides with any one of the ID numbers, the control section 3 determines that the call is addressed to the self-receiver, receives the succeeding message output from the radio section 2, and drives the notifying section 9 to notify the user of the reception of the call by generating a notifying sound or vibrations (step S21 in Fig. 2). Subsequently, the control section 3 checks whether a copy command is registered in the command storage section 7 (step S22). If no copy command is registered, the control section 3 displays the received

message on the display section 4 (step S23), as in a general case. If a copy command is registered in the command storage section 7, the control section 3 starts the command detecting section 8 to search the received message for a copy command identical to the one registered in the command storage section 7 (steps S24 and S25). If no copy command is detected, the control section 3 displays the received message on the display section 4 (step S23). If a copy command is detected, the control section 3 determines that the message portion (data) following the copy command is an ID number temporarily assigned to the self-receiver, and additionally registers it in the ID storage section 5 (step S26). Once the copy command is detected, the control section 3 automatically erases the copy command registered in the command storage section 7 to prevent erroneous registration afterward (step S27).

After the new ID number is additionally stored in the ID storage section 5, this individual radio selective calling receiver can receive a message with this ID number. Note that a copy command and an ID number are set in a message when the user of another individual radio selective calling receiver performs message setting in originating a call to the radio selective calling system through a wire telephone to call at the telephone number of this receiver. More specifically, a copy command is specified between the

user of another receiver and the user of this receiver, who have agreed to exchange their ID numbers that should be kept secret, and the user of another receiver generates a message together with the ID number unique thereto. Since only the users who have specified the copy command can know the contents of the copy command, there is no possibility that the ID numbers leak to other users. In addition, the ID number (excluding the ID number unique to the self-receiver) which is extracted from the received message and registered in the ID storage section 5 can be erased by the control section 3 in accordance with the switching operation of the operating section 6. With this operation, this individual radio selective calling receiver can control permission/inhibition of simultaneous reception of a message addressed to another receiver.

A copy command registering operation will be described in detail next with reference to Fig. 3. In general, no copy command is registered. When the switch (SW) of the operating section 6 is operated to set a menu mode (step S31 in Fig. 3), and a copy command registration mode is selected from the menu displayed on the display section 4, the receiver is set in the mode that allows registration of a command (step S32). Only one character of a command is displayed first on the display section 4. The displayed character is switched to another character every time the

push SW is depressed, and an arbitrary character is determined (step S33). This selecting operation is repeated the number of times corresponding to a predetermined number of command characters or less, and selection of the predetermined number of characters is complete (step S34). Alternatively, selection of characters fewer than the predetermined number of characters is complete (step S35). With this operation, the copy command can be registered in the command storage section 7 (step S36).

An example of command registration will be described with reference to Fig. 4 showing the outer appearance of the individual radio selective calling receiver and Figs. 5A to 5E showing screen display samples on the display section 4. Referring to Fig. 4, a main body 10 of the individual radio selective calling receiver includes a liquid crystal display (LCD) 41 of the display section 4 for displaying a received message or the like, a menu SW 61 for causing the operating section 6 to perform a menu display operation, a read SW 63 for displaying a received message, and a review SW 62. Command registration can be performed by using these switches. A method of registering a copy command, e.g., "OPQRSTU", will be described below. A copy command registration mode is set as follows. The menu SW 61 is depressed to display the menu. The command registration mode is then selected from the menu by depressing the read SW 63, and is

determined by depressing the review SW 62. With this operation, the character "A" is flickered and displayed at the first character position of the copy command on the LCD 41, and a command character selection mode is set (Fig. 5A).

5 The read SW 63 is depressed to select the command characters. As a result, the characters "A" to "Z", "0" to "9", and special characters are sequentially displayed. When the first character "0" of the command is displayed, the review SW 62 is depressed. With this operation, "0" is set in the
10 normal display state, and the character "A" is flickered and displayed at the second character position of the command (Fig. 5B). The second and subsequent characters are determined by the same operation (Fig. 5C), thus determining "OPQRSTU". Thereafter, the character "A" is flickered and
15 displayed at the eighth character position (Fig. 5D). When the menu SW 61 is depressed in this case, the command character selecting operation is complete, and "Completion of Registration" is displayed on the LCD 41. The copy command is then registered (Fig. 5E).

20 When the above operation is performed with respect to other individual radio selective calling receivers, the corresponding number of receivers can be simultaneously called. Consider, for example, an individual radio selective calling receiver A to which a telephone number A1 and
25 a unique ID number A2 are assigned, an individual radio

selective calling receiver B to which a telephone number B1 and a unique ID number B2 are assigned, and an individual radio selective calling receiver C to which a telephone number C1 and a unique ID number C2 are assigned. Assume
5 that the unique ID number B2 of the individual radio selective calling receiver B and the unique ID number C2 of the individual radio selective calling receiver C are temporarily registered as ID numbers in the individual radio selective calling receiver A, the unique ID number A2 of the
10 individual radio selective calling receiver A is temporarily registered as an ID number in the individual radio selective calling receiver B, and the unique ID number A2 of the individual radio selective calling receiver A is temporarily registered as an ID number in the individual radio selective
15 calling receiver C. In this case, the individual radio selective calling receiver A can receive calls addressed to the telephone numbers B1 and C1, in addition to a call addressed to the telephone number A1 of the self-receiver, and display the corresponding messages. That is, when
20 transmitting a message to the individual radio selective calling receiver B or C with the telephone number B1 or C1 through the radio selection calling system, the user of the individual radio selective calling receiver A can receive the message, and hence can check whether the message is
25 properly transmitted. In addition, a message transmitted to

the individual radio selective calling receiver A can be simultaneously received by the individual radio selective calling receivers B and C, thus allowing simultaneous calling to all the individual radio selective calling receivers A, B and C. In contrast
5 to this, only the individual radio selective calling receiver A can receive a message transmitted to the individual radio selective calling receiver B. That is, selective simultaneous calling can be performed with respect to the individual radio selective calling receivers A and B. Similarly, by transmitting a message to the individual radio selective calling receiver C, selective simultaneous calling can be performed
10 with respect to the individual radio selective calling receivers A and C.

Each feature disclosed in this specification (which term includes the claims) and/or shown in the drawings may be incorporated in the invention independently of other disclosed and/or illustrated features.

The text of the abstract filed herewith is repeated here as part of the
15 specification.

An individual radio selective calling receiver for selectively receiving and displaying a message transmitted by radio and having an identification number assigned thereto to selectively call the receiver includes an identification number storage section, a command registering section, a radio reception section, a command
20 detecting section, and a control section. The identification number storage section stores identification numbers including an identification number assigned to the self-receiver. The command registering section inputs and stores an identification number copy command. The radio reception section selectively receives a message to which an identification number identical to the one registered in the
25 identification number registering section is assigned. The command detecting section monitors the message received by the radio reception section and detects the identification number copy command registered in the command registering section. When the identification number copy command is detected from the received message by the command copy detecting section, the control section recognizes a
30 message portion following the command as an identification number temporarily assigned to the self-receiver, and registers the message portion in the identification number storage section.

CLAIMS

1. A radio selective calling receiver for selectively receiving and displaying a message transmitted by radio, said receiver comprising:

5 identification number storage means for storing a plurality of identification numbers including an identification number uniquely assigned to said receiver;

command registering means for inputting and storing an identification number copy command;

10 radio reception means for selectively receiving a message to which an identification number identical to an identification number stored in said identification number storage means is assigned;

command detecting means for monitoring the message received by said radio reception means and detecting the identification number copy command stored in said command registering means; and

15 control means for, when the identification number copy command is detected from the received message by said command detecting means, recognizing a message portion following the command as an identification number temporarily assigned to said receiver, and storing the message portion in said identification number storage means.

20 2. A receiver according to Claim 1, wherein said control means is adapted to erase the identification number copy command stored in said command registering means when said command detecting means detects the identification number copy command from the received message.

25 3. A receiver according to Claim 1 or 2, further comprising means for erasing identification numbers stored in said identification number storage means except for the identification number uniquely assigned to said receiver.

4. A radio selective calling receiver substantially as herein described with reference to the accompanying drawings.



Application No: GB 9713425.8
Claims searched: 1-4

Examiner: Mike Davis
Date of search: 21 August 1997

**Patents Act 1977
Search Report under Section 17**

Databases searched:

UK Patent Office collections, including GB, EP, WO & US patent specifications, in:

UK Cl (Ed.O): G4H (HRCE,HRCS,HNEL)

Int Cl (Ed.6): H04Q

Other:

Documents considered to be relevant:

Category	Identity of document and relevant passage	Relevant to claims
A	EP 0347938 A2 (TOSHIBA) e.g. column 10 lines 7-15	-

X Document indicating lack of novelty or inventive step	A Document indicating technological background and/or state of the art.
Y Document indicating lack of inventive step if combined with one or more other documents of same category.	P Document published on or after the declared priority date but before the filing date of this invention.
& Member of the same patent family	E Patent document published on or after, but with priority date earlier than, the filing date of this application.