



(12) **United States Design Patent**
Brownlow et al.

(10) **Patent No.:** **US D836,646 S**
(45) **Date of Patent:** **** Dec. 25, 2018**

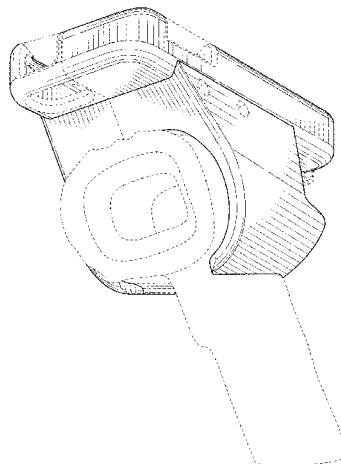
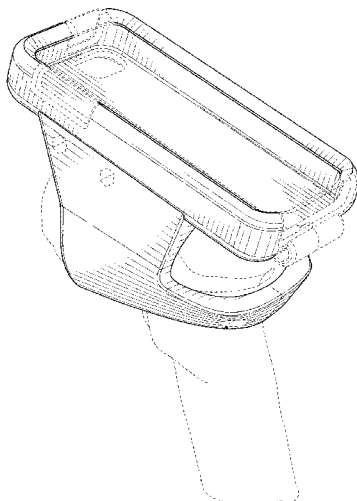
- (54) **DEVICE MOUNT FOR SCANNER**
 - (71) Applicants: **John Brownlow**, Ada, MI (US);
Gardner Klaasen, Ada, MI (US)
 - (72) Inventors: **John Brownlow**, Ada, MI (US);
Gardner Klaasen, Ada, MI (US)
 - (73) Assignee: **Clarion Technologies, Inc.**, Holland,
MI (US)
 - (**) Term: **15 Years**
 - (21) Appl. No.: **29/571,103**
 - (22) Filed: **Jul. 14, 2016**
 - (51) **LOC (11) Cl.** **14-02**
 - (52) **U.S. Cl.**
USPC **D14/453**
 - (58) **Field of Classification Search**
USPC D14/434, 447, 453, 432, 433, 385, 357,
D14/149, 457, 356, 242, 439, 344, 140.2,
D14/140.5, 140.9, 203.8, 209.1, 224.1,
D14/227, 229, 238, 440, 250-253, 203.5,
D14/203.3, 144; D13/108, 118, 199, 107,
D13/177, 119, 184; D3/218, 228, 269;
D18/12, 4.4, 4.5, 12.3; D8/349, 382;
361/683, 686, 679, 600, 679.44, 679.09,
361/679.26, 679.58; 455/557, 556.1,
455/556.2, 575.4, 569.2, 569.1, 575.1,
455/90.3, 575.8; 248/346.03, 176.1,
248/181.1, 309.1, 221.11, 349.1, 131,
248/418, 346.01, 918, 920; 200/6 R;
206/701; 320/113-115, 107, 108;
379/426; 345/156, 901, 905; 439/374,
439/131, 529, 534, 929, 346, 31, 640;
235/472.01, 454, 462.01, 462.32, 462.41,
235/462.45, 462.48, 462.46, 462.43,
235/462.42, 462.14, 462.1, 462.13,
235/472.02, 462.44; 429/100; 382/135;
312/223.1; D16/237, 242
- (Continued)

- (56) **References Cited**
U.S. PATENT DOCUMENTS
D328,302 S * 7/1992 Murzanski D14/253
D343,841 S * 2/1994 Hon D13/108
(Continued)
Primary Examiner — Susan Moon Lee
(74) *Attorney, Agent, or Firm* — Gardner, Linn, Burkhardt
& Ondersma LLP

(57) **CLAIM**
The ornamental design for a device mount for scanner, as shown and described.

DESCRIPTION
FIG. 1 is a top-rear perspective view of a device mount for scanner showing our new design;
FIG. 2 is a bottom-front perspective view thereof;
FIG. 3 is a rear end elevation thereof;
FIG. 4 is a front end elevation thereof;
FIG. 5 is a left side elevation thereof;
FIG. 6 is a right side elevation thereof;
FIG. 7 is a top plan view thereof;
FIG. 8 is a bottom plan view thereof;
FIG. 9 is a top-rear perspective view of a second embodiment of the device mount for scanner showing our new design;
FIG. 10 is a bottom-front perspective view thereof;
FIG. 11 is a rear end elevation thereof;
FIG. 12 is a front end elevation thereof;
FIG. 13 is a left side elevation thereof;
FIG. 14 is a right side elevation thereof;
FIG. 15 is a top plan view thereof; and,
FIG. 16 is a bottom plan view thereof.
The broken lines shown in FIGS. 1-16 represent environmental structure or portions of the device mount for scanner that form no part of the claimed design.

1 Claim, 12 Drawing Sheets



(58) **Field of Classification Search**

CPC G06K 7/109; G06K 7/10881; G06K 7/10861; G06K 7/10594; G06K 7/10831; G06K 7/1096; G06K 7/10851; G06K 7/10821; G06K 7/10475; G06K 7/10891; G06K 7/1095; G06K 17/0022; G06F 1/1632; G06F 1/1626; G06F 1/163; G06F 1/1637; G06F 1/1643; G06F 1/165; G06F 1/1654; G06F 1/1684; G06F 1/1692; G06F 1/1696; G06F 1/1698; G07G 1/0018; G07G 1/0045; Y10S 248/92; F16M 11/10; F16M 11/08; F16M 11/041; F16M 11/00; F16M 11/046; F16M 11/2021; F16M 13/00; F16M 2200/08; A47F 9/046; H02J 7/0044; H04M 1/04; H04B 1/38; H04B 1/3877; H04B 1/3827; H04B 1/3833; H04B 1/3883; H04B 1/3888; H04B 2001/3861; H04B 2001/3866; B60R 11/00; B60R 11/02; B60R 11/04; B60R 11/0241; B60R 11/0252; B60R 2011/0001; B60R 2011/0042; B60R 2011/0043; B60R 2011/0045; B60R 2011/0064; B60R 2011/0075; B60R 2011/0078; B60R 2011/0294

See application file for complete search history.

(56) **References Cited**

U.S. PATENT DOCUMENTS

D361,334 S * 8/1995 Chan D14/251
 D368,479 S * 4/1996 Larson D14/149
 6,708,887 B1 * 3/2004 Garrett G06F 1/1626
 235/462.45
 D548,457 S * 8/2007 Reinerio D3/218
 D616,361 S * 5/2010 Huang D13/103
 D649,539 S * 11/2011 Hong D14/250
 D654,069 S * 2/2012 Kwon D14/250
 D676,032 S * 2/2013 Stump D14/250
 8,390,255 B1 * 3/2013 Fathollahi H02J 7/0045
 206/308.3
 D686,606 S * 7/2013 Hong D14/250
 D693,815 S * 11/2013 Son D14/434
 D697,514 S * 1/2014 Davis D14/447
 D706,274 S * 6/2014 Shubin, Sr. D14/447
 D706,785 S * 6/2014 Brittain D14/447

D709,439 S * 7/2014 Ferber D13/103
 D710,300 S * 8/2014 Burke D13/108
 D715,537 S * 10/2014 Soriano D3/218
 D716,040 S * 10/2014 Soriano D3/218
 D728,468 S * 5/2015 Ferber D13/103
 D732,544 S * 6/2015 Sirichai D14/447
 D738,873 S * 9/2015 Kim D14/253
 D738,971 S * 9/2015 Riddiford D21/694
 9,167,062 B1 * 10/2015 Leibenhaut H04M 1/0279
 D745,014 S * 12/2015 Vales D14/447
 D746,801 S * 1/2016 Pan D14/250
 D748,087 S * 1/2016 Lee D14/251
 D767,557 S * 9/2016 Lee D14/253
 D772,219 S * 11/2016 Daniels D12/114
 D772,220 S * 11/2016 Daniels D12/114
 9,615,650 B2 * 4/2017 Soriano A45F 5/00
 D798,940 S * 10/2017 Costa D16/242
 9,876,522 B2 * 1/2018 Huang H04B 1/3888
 2003/0106919 A1 * 6/2003 Chuang B62J 11/00
 224/420
 2007/0293277 A1 * 12/2007 Bury B60R 11/0241
 455/569.2
 2009/0312053 A1 * 12/2009 An G06K 7/10326
 455/556.2
 2010/0035667 A1 * 2/2010 Bury B60R 11/0241
 455/575.1
 2011/0159324 A1 * 6/2011 Huang H01M 2/1022
 429/7
 2011/0297578 A1 * 12/2011 Stiehl B29C 45/1676
 206/701
 2013/0314880 A1 * 11/2013 Sun H02J 7/0044
 361/730
 2014/0035511 A1 * 2/2014 Ferber H02J 7/0042
 320/103
 2014/0069825 A1 * 3/2014 Macrina A45C 11/00
 206/37
 2015/0144754 A1 * 5/2015 Elharar B60R 11/0241
 248/230.8
 2015/0289615 A1 * 10/2015 Welsch G06F 1/163
 224/219
 2015/0333789 A1 * 11/2015 An H04B 1/3877
 455/575.9
 2015/0381226 A1 * 12/2015 Mogol H04B 1/3888
 455/575.1
 2016/0031381 A1 * 2/2016 Lin B62J 11/00
 224/548
 2016/0180133 A1 * 6/2016 Oberpriller G06K 7/10891
 235/462.44
 2016/0368557 A1 * 12/2016 Downes B62J 9/005
 2018/0069583 A1 * 3/2018 Brownlow H04B 1/3877

* cited by examiner

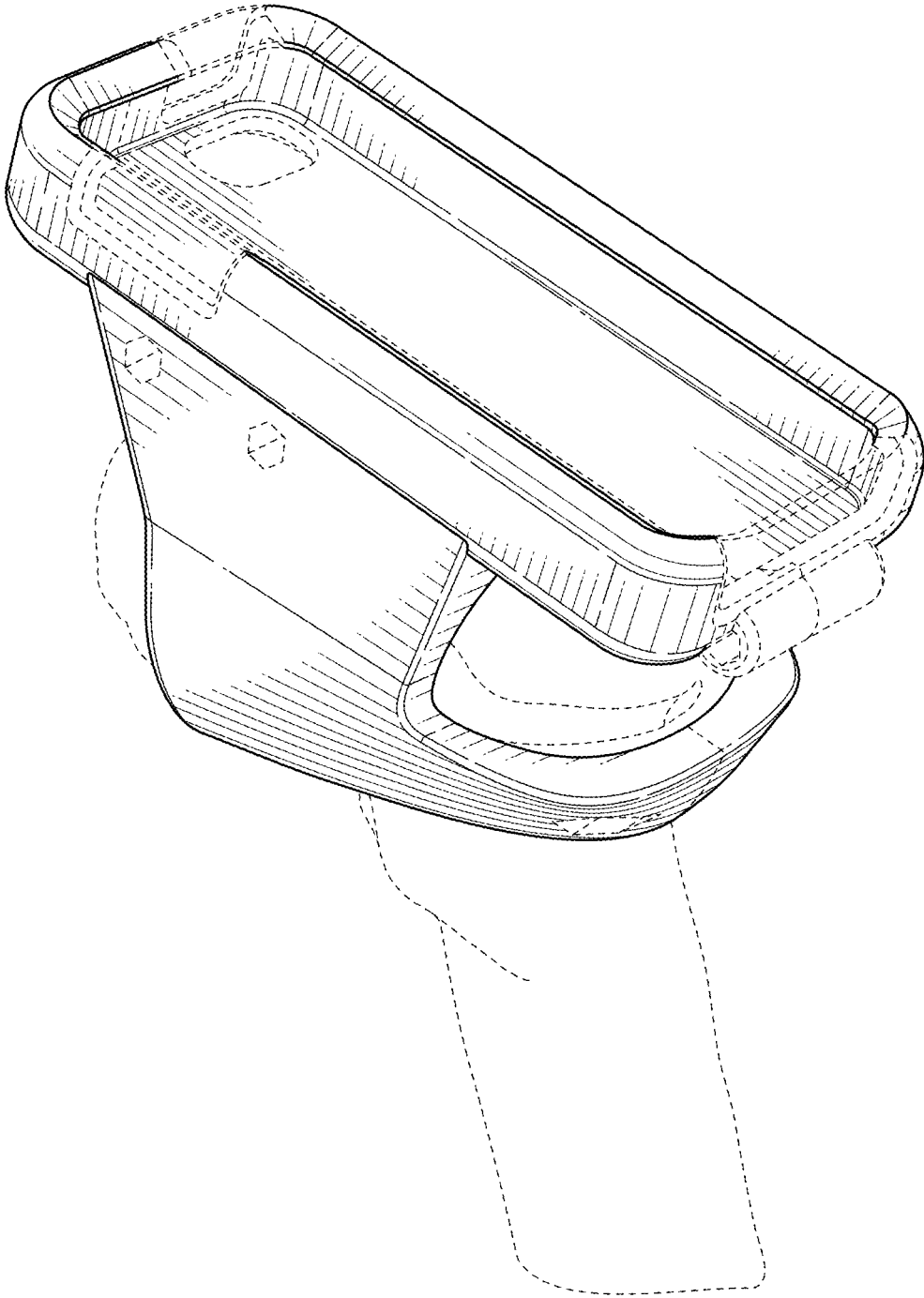


FIG. 1

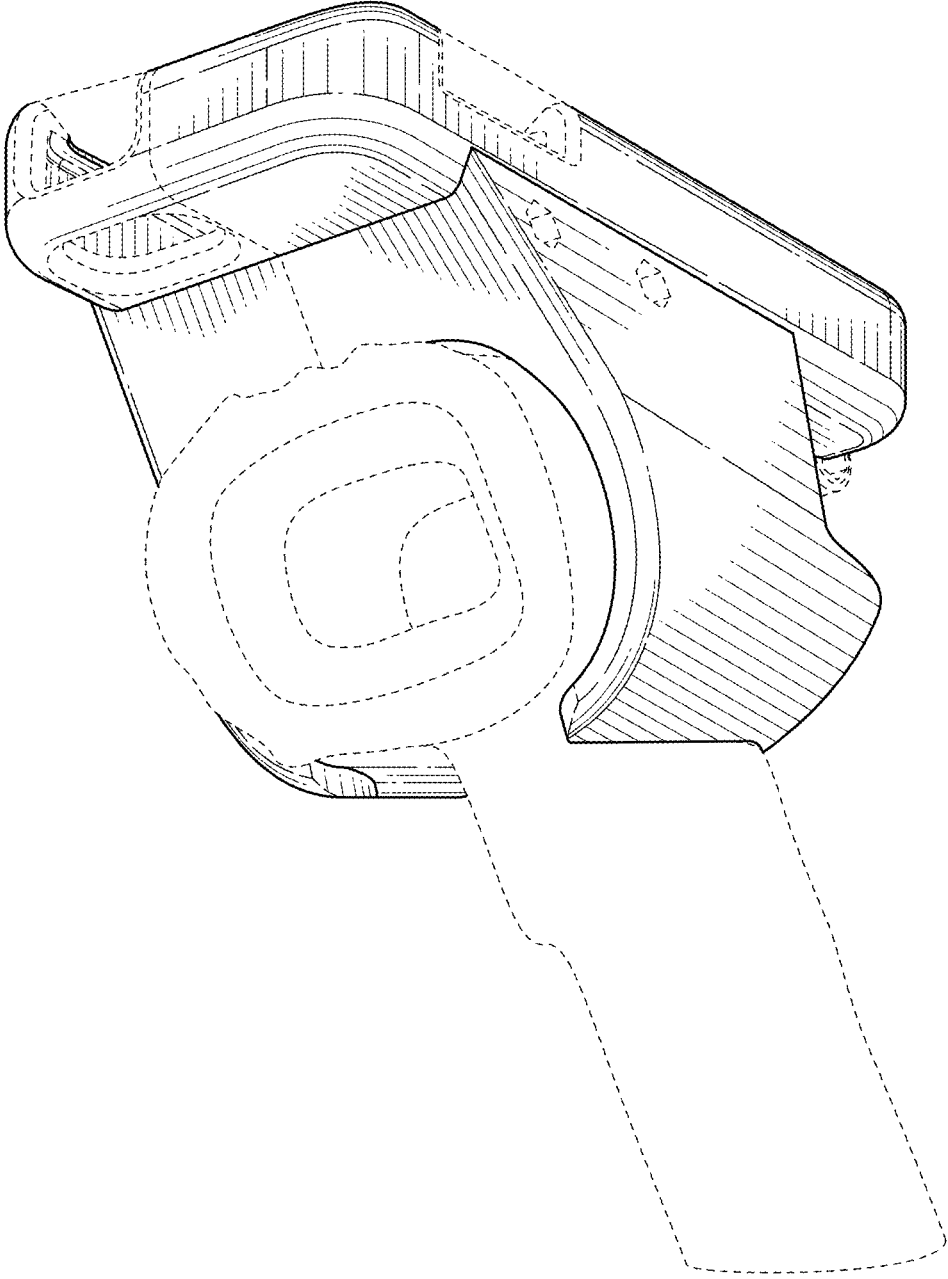


FIG. 2

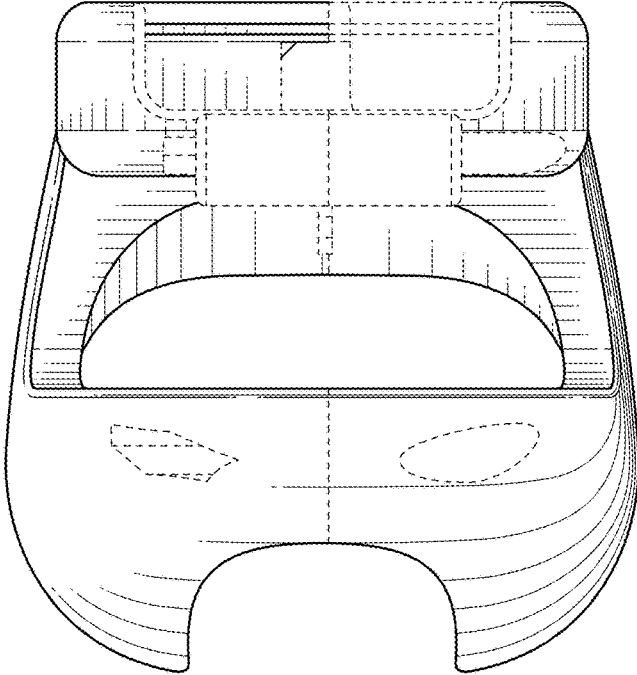


FIG. 3

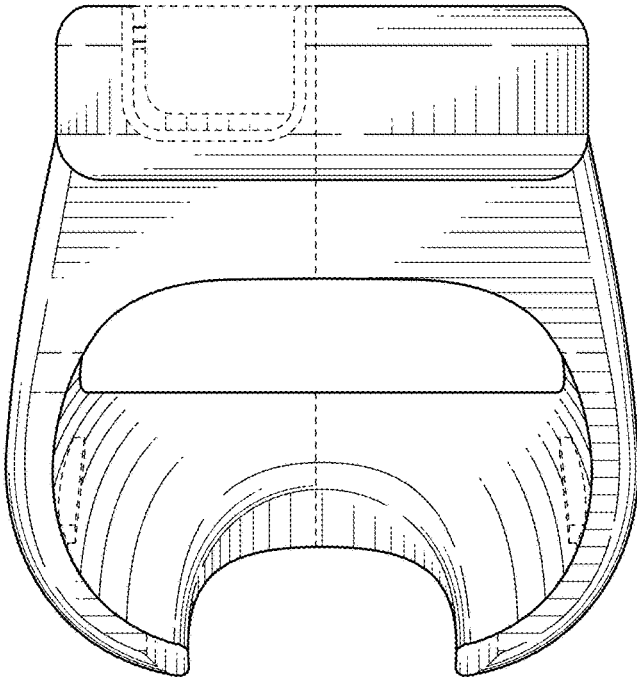


FIG. 4

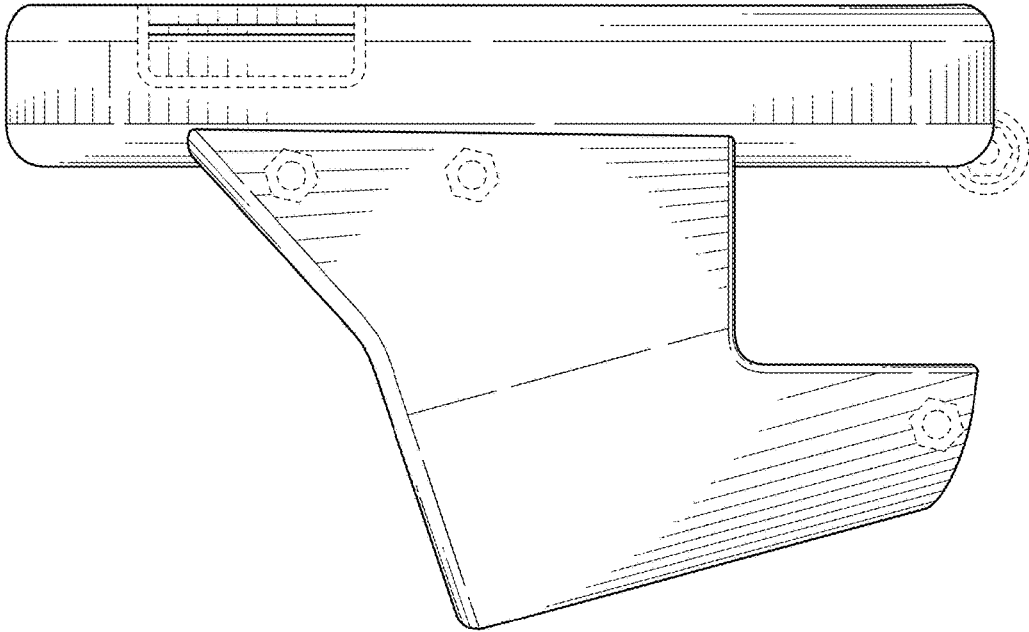


FIG. 5

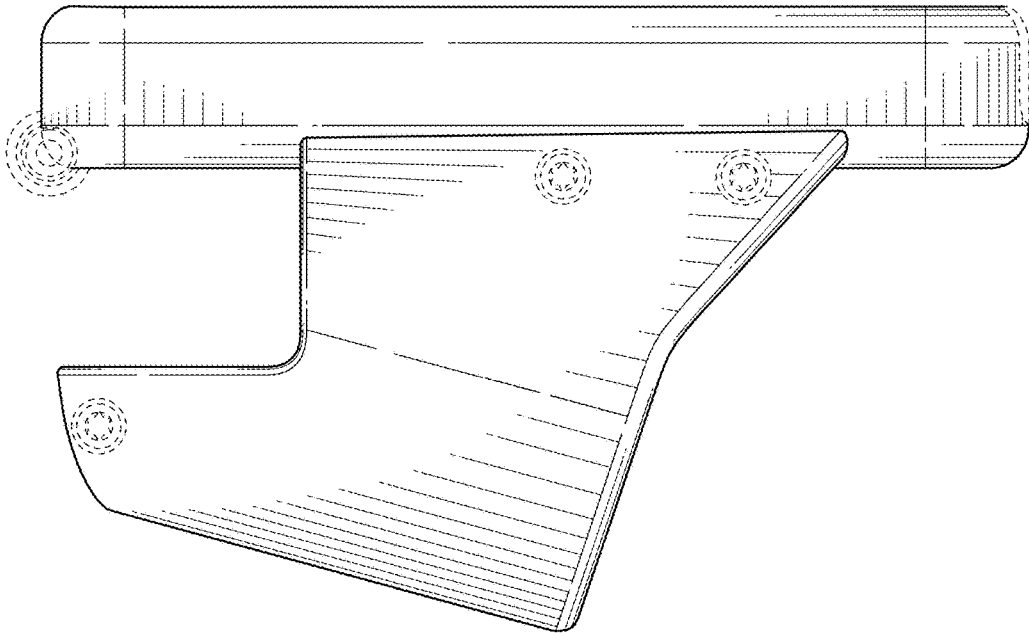


FIG. 6

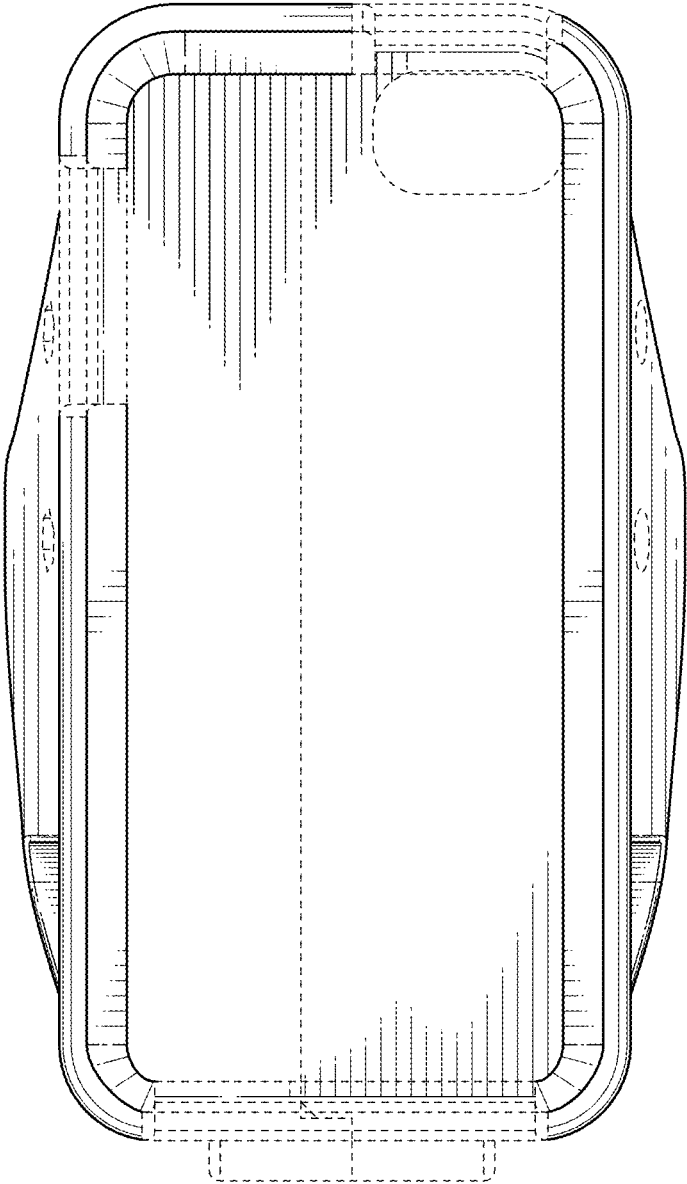


FIG. 7

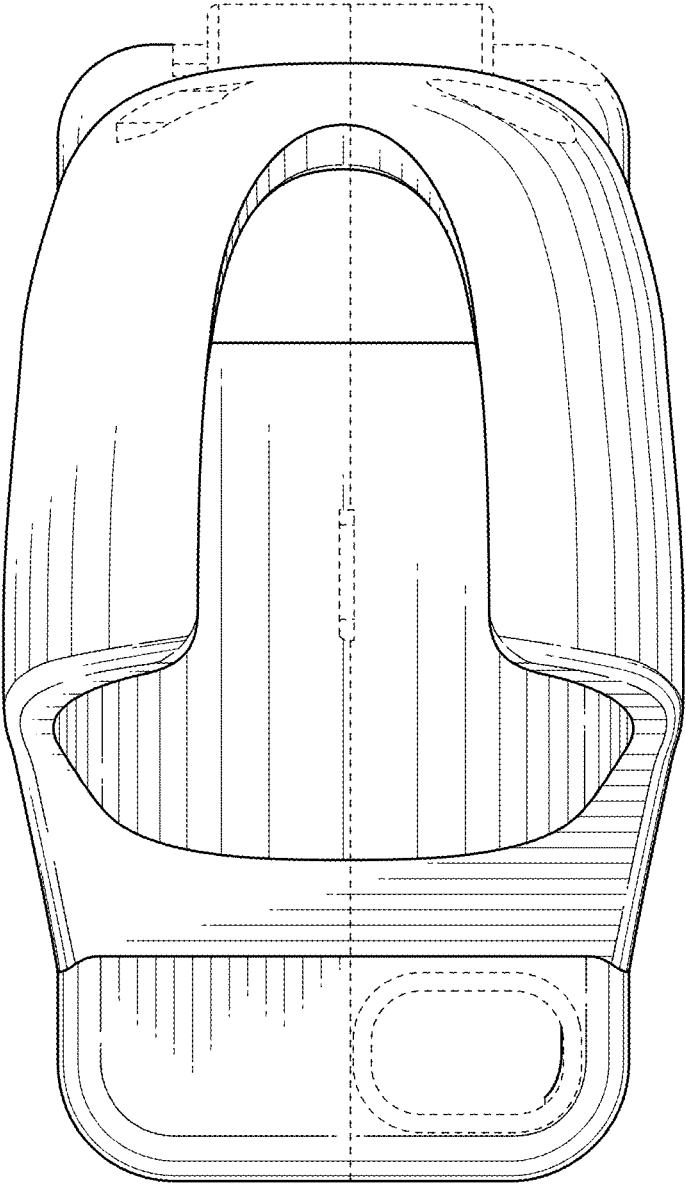


FIG. 8

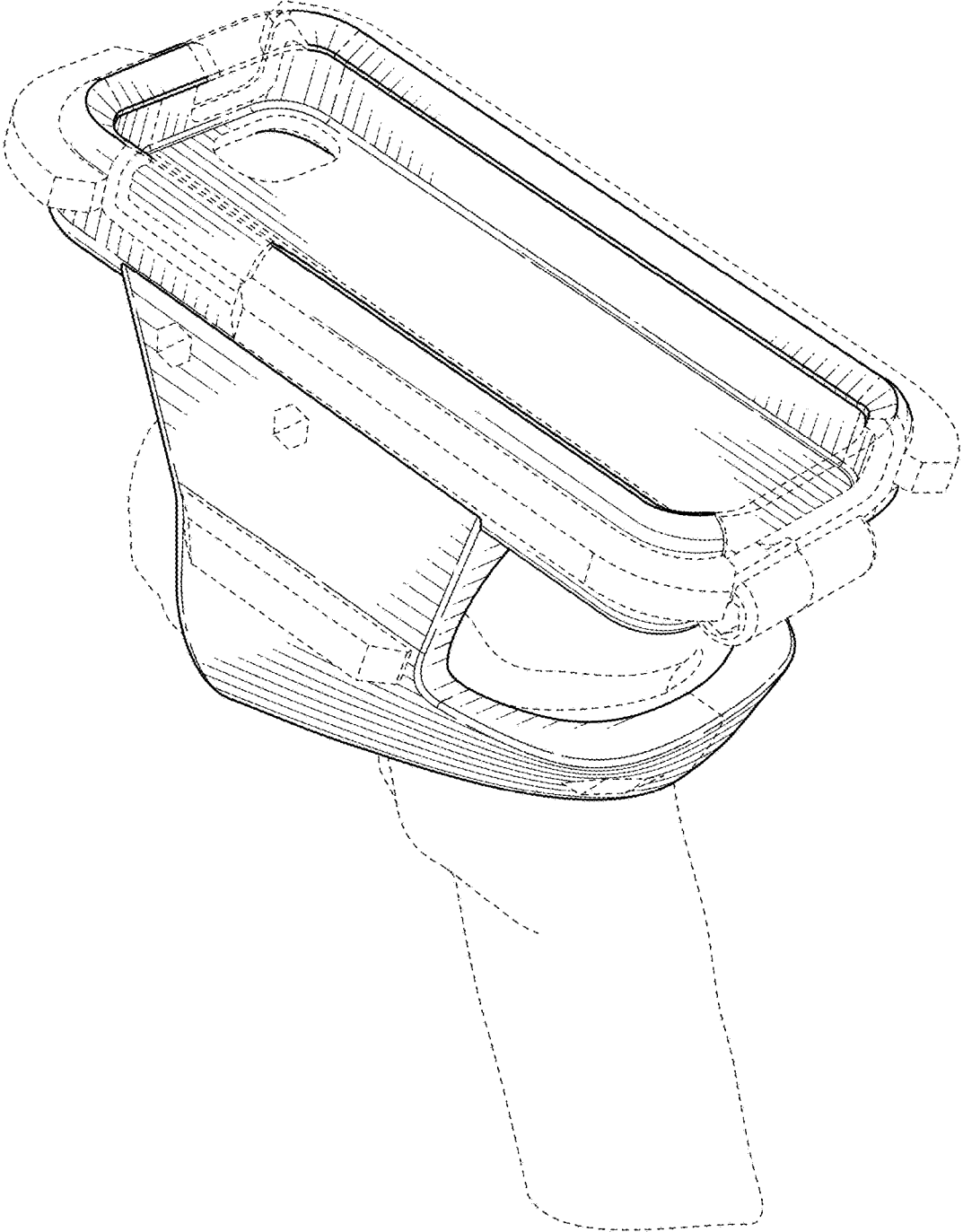


FIG. 9

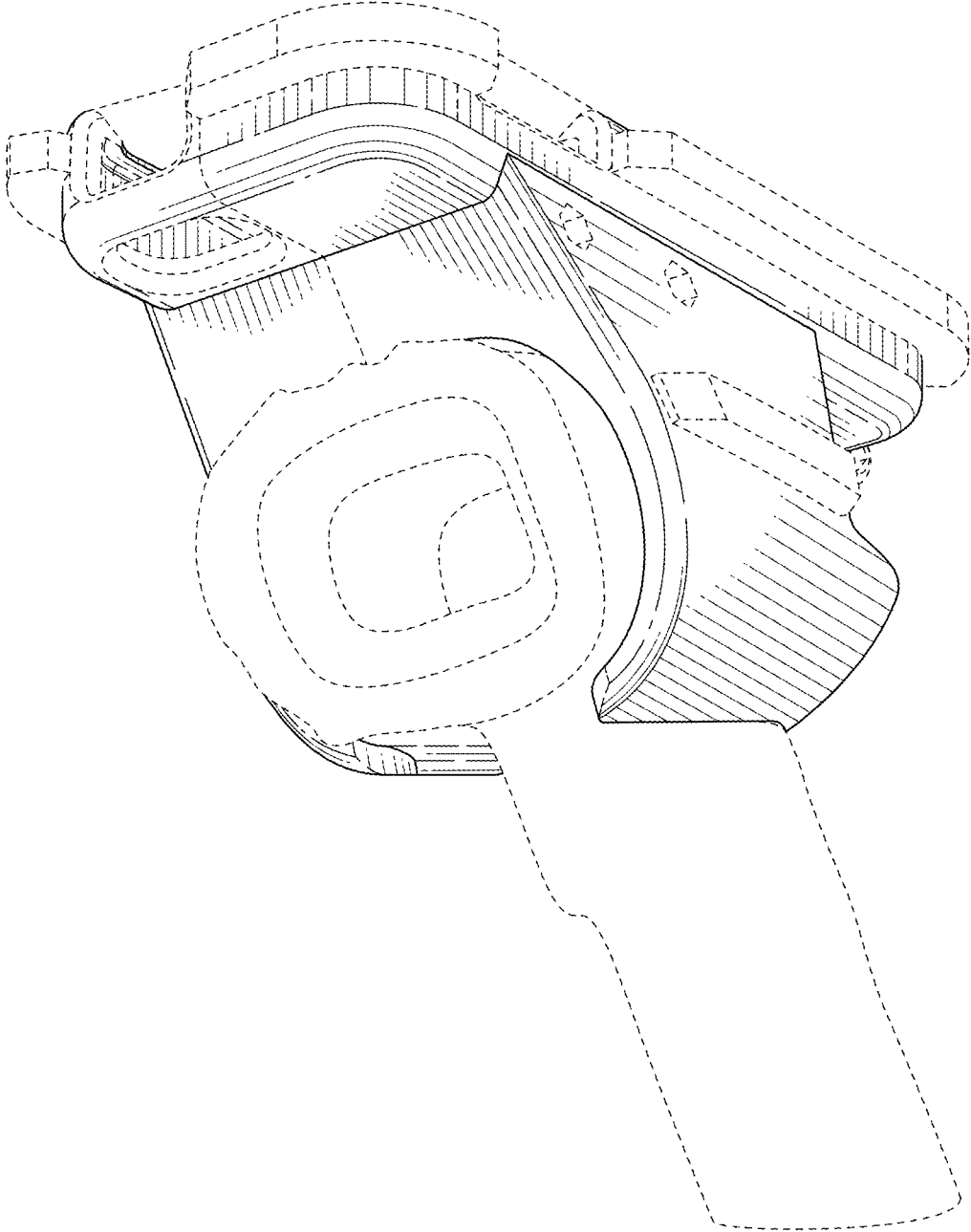


FIG. 10

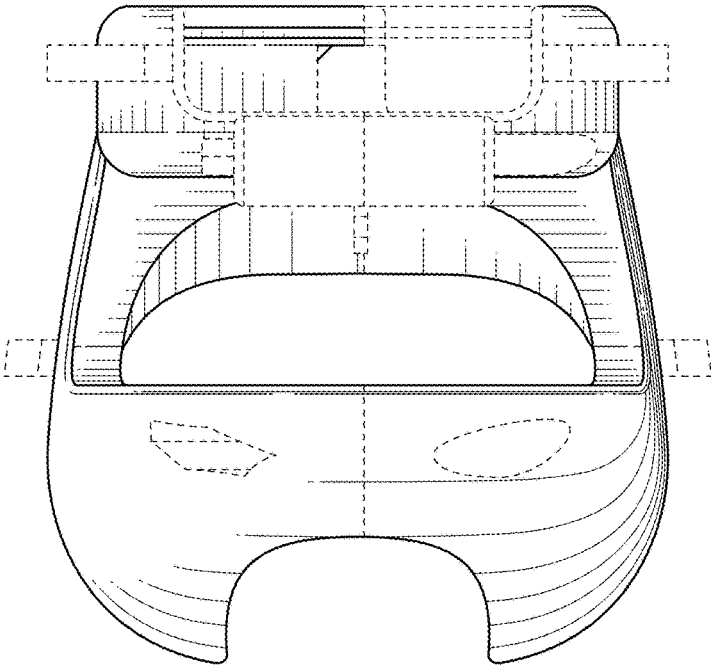


FIG. 11

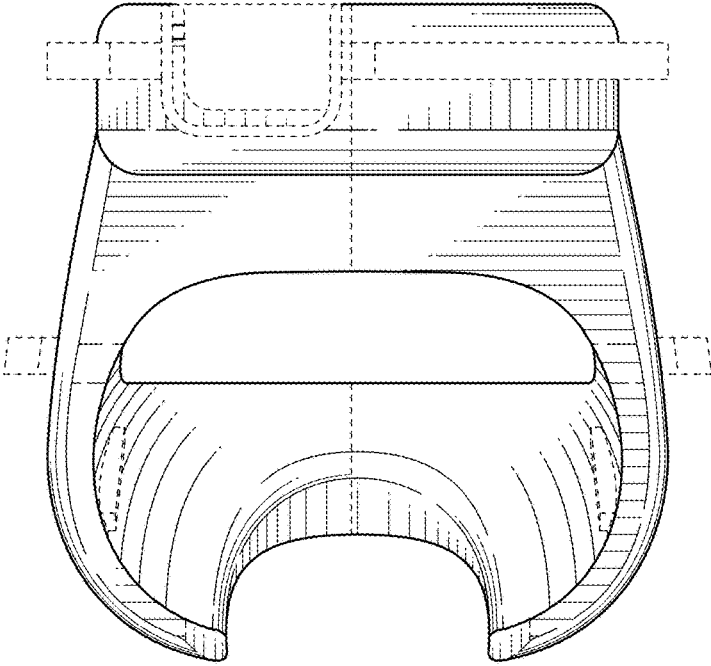


FIG. 12

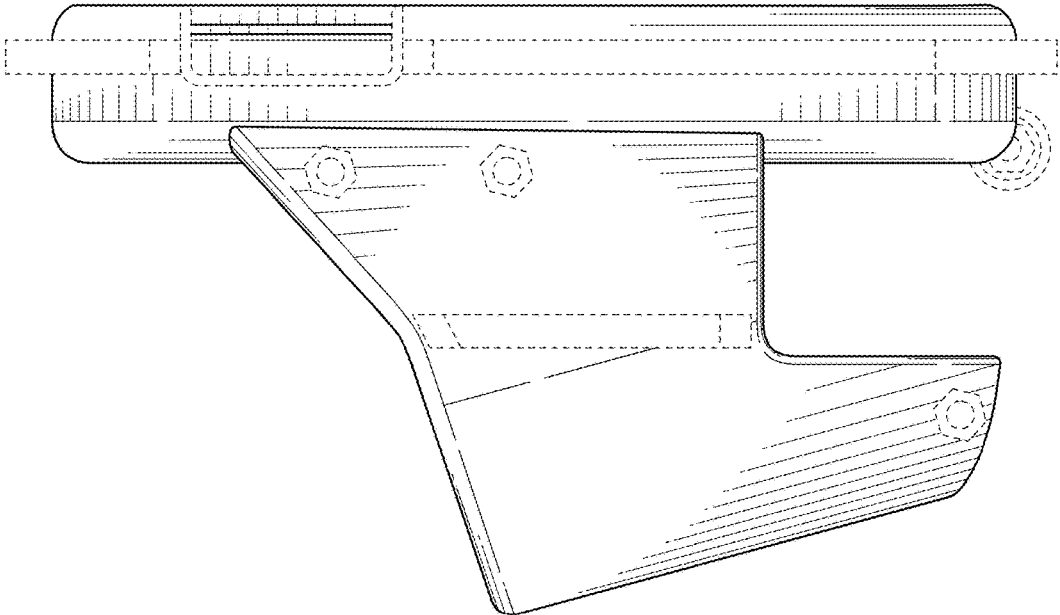


FIG. 13

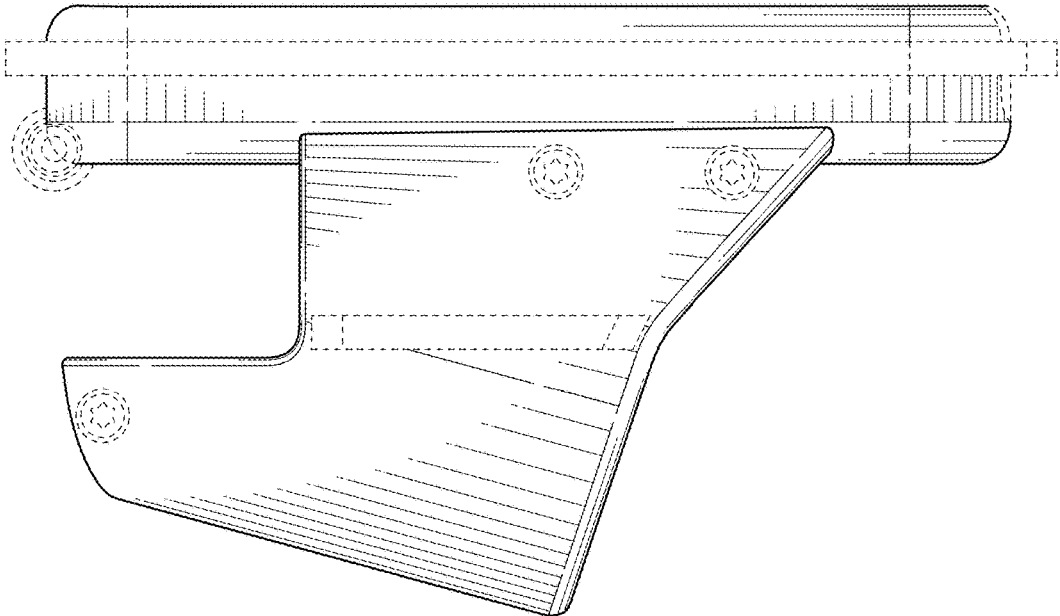


FIG. 14

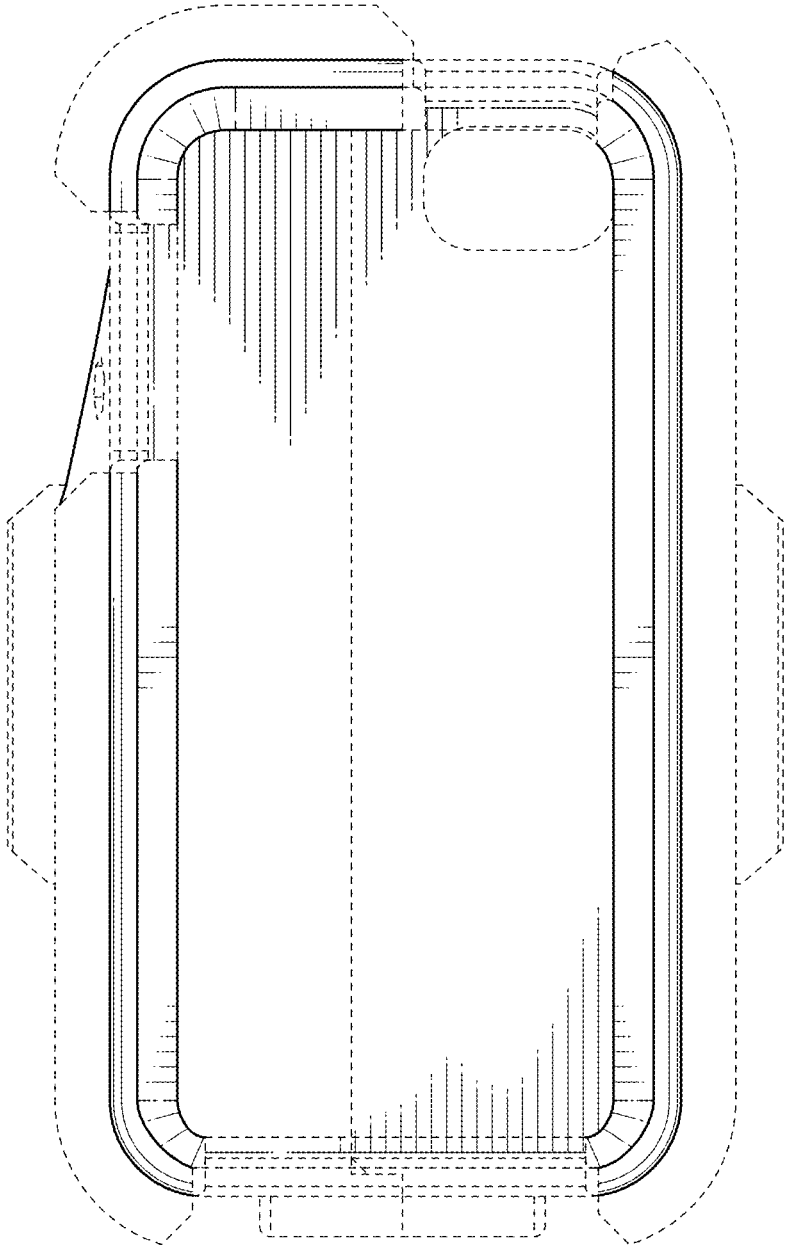


FIG. 15

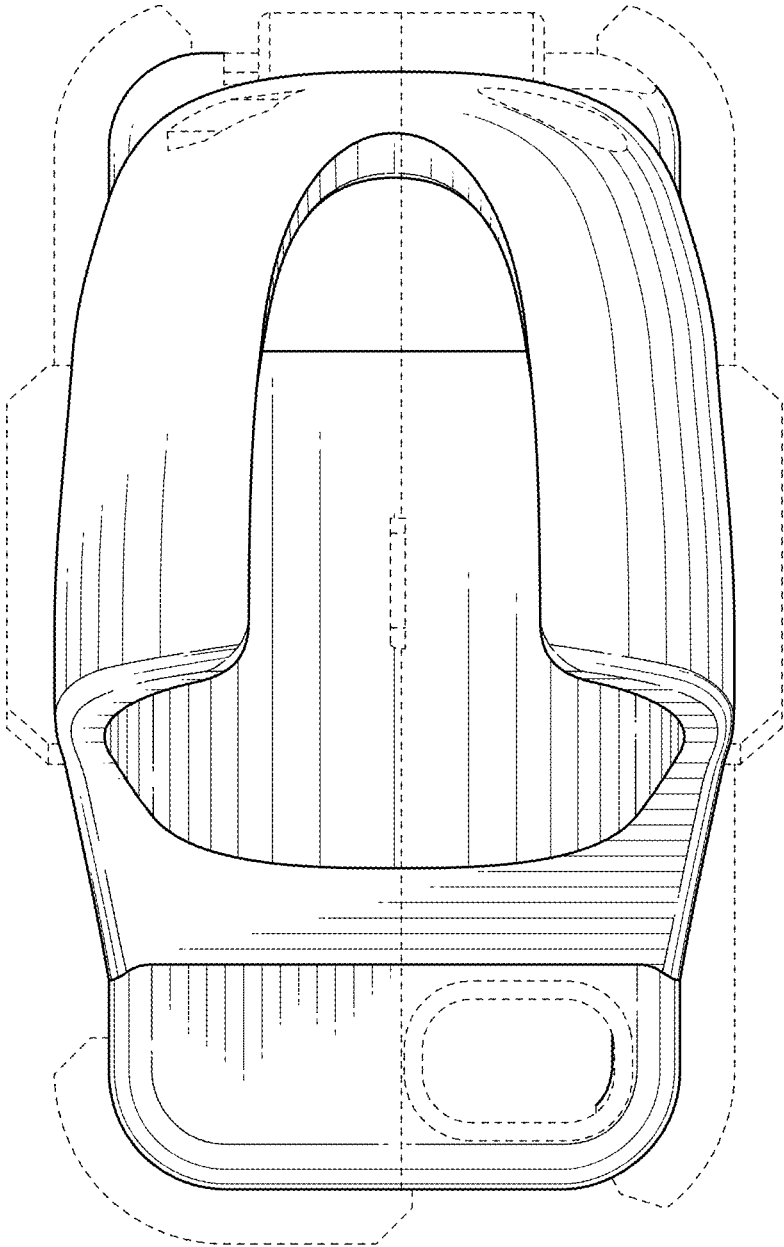


FIG. 16