



US00D760110S

(12) **United States Design Patent**  
**Miller**

(10) **Patent No.:** **US D760,110 S**

(45) **Date of Patent:** **\*\* Jun. 28, 2016**

(54) **CHAIN EARRING**

(71) Applicant: **Atocha Treasure Company, LLC**,  
Estero, FL (US)

(72) Inventor: **Kenny Miller**, Estero, FL (US)

(73) Assignee: **Atocha Treasure Company, LLC**,  
Estero, FL (US)

(\*\*) Term: **14 Years**

(21) Appl. No.: **29/507,705**

(22) Filed: **Oct. 30, 2014**

(51) **LOC (10) Cl.** ..... **11-01**

(52) **U.S. Cl.**  
USPC ..... **D11/44**

(58) **Field of Classification Search**

USPC ..... D11/1, 2, 7, 8, 40-47, 79-86;  
D12/122-124

CPC ..... A44C 7/00; A44C 7/002; A44C 7/003;  
A44C 7/004; A44C 7/005; A44C 7/006;  
A44C 7/007; A44C 7/008; A44C 7/009;  
A44C 5/02; A44C 5/022; A44C 25/00;  
A44C 25/001; A44C 25/007

See application file for complete search history.

(56) **References Cited**

**U.S. PATENT DOCUMENTS**

D25,501 S *	5/1896	Wood	.....	D11/81
D246,830 S *	1/1978	Lossini	.....	D11/12
D292,144 S *	10/1987	McClure	.....	D11/81
D333,279 S *	2/1993	Fryklund	.....	D11/40
D400,468 S *	11/1998	Norman	.....	D11/81
D412,058 S *	7/1999	Edworthy	.....	D3/208
D416,509 S *	11/1999	O'Meara	.....	D11/71
D435,766 S *	1/2001	Kingsley	.....	D3/210
D479,768 S *	9/2003	Macevicz	.....	D3/211

D545,234 S *	6/2007	Sogoyan	.....	D11/13
D547,687 S *	7/2007	So	.....	D11/13
D577,905 S *	10/2008	Hu	.....	D3/207
D581,306 S *	11/2008	So	.....	D11/13
D581,307 S *	11/2008	So	.....	D11/13
D584,983 S *	1/2009	So	.....	D11/13
D691,507 S *	10/2013	Stanev	.....	D11/26
D707,583 S *	6/2014	Kalemos	.....	D11/87
D719,045 S *	12/2014	Miller	.....	D11/13
D719,046 S *	12/2014	Miller	.....	D11/13
D752,470 S *	3/2016	Miller	.....	D11/13
2007/0084243 A1 *	4/2007	Moore	.....	A44C 11/002 63/38

**OTHER PUBLICATIONS**

[Online] <https://www.cycleheart.com/all-black-bike-chain-earrings>. Available online as early as Mar. 25, 2016 via archive.org. Retrieved Apr. 27, 2016.\*

\* cited by examiner

*Primary Examiner* — Garth Rademaker

*Assistant Examiner* — Melanie Pellegrini

(74) *Attorney, Agent, or Firm* — Kevin Keener; Keener and Associates P.C.

(57) **CLAIM**

The ornamental design for a chain earring, as shown and described.

**DESCRIPTION**

FIG. 1 is a top perspective view of a chain earring;

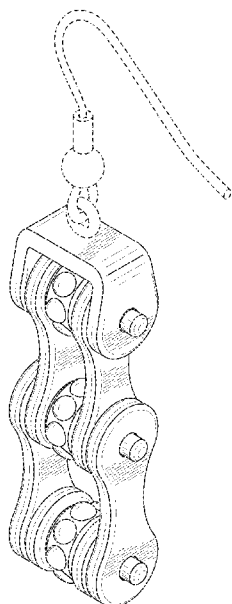
FIG. 2 is an enlarged sectional view of a link of the chain earring shown separately for completeness of illustration;

FIG. 3 is a front elevational view thereof; and,

FIG. 4 is a side elevational view thereof.

The broken lines shown in the drawings illustrate portions of the chain earring that form no part of the claimed design.

**1 Claim, 3 Drawing Sheets**



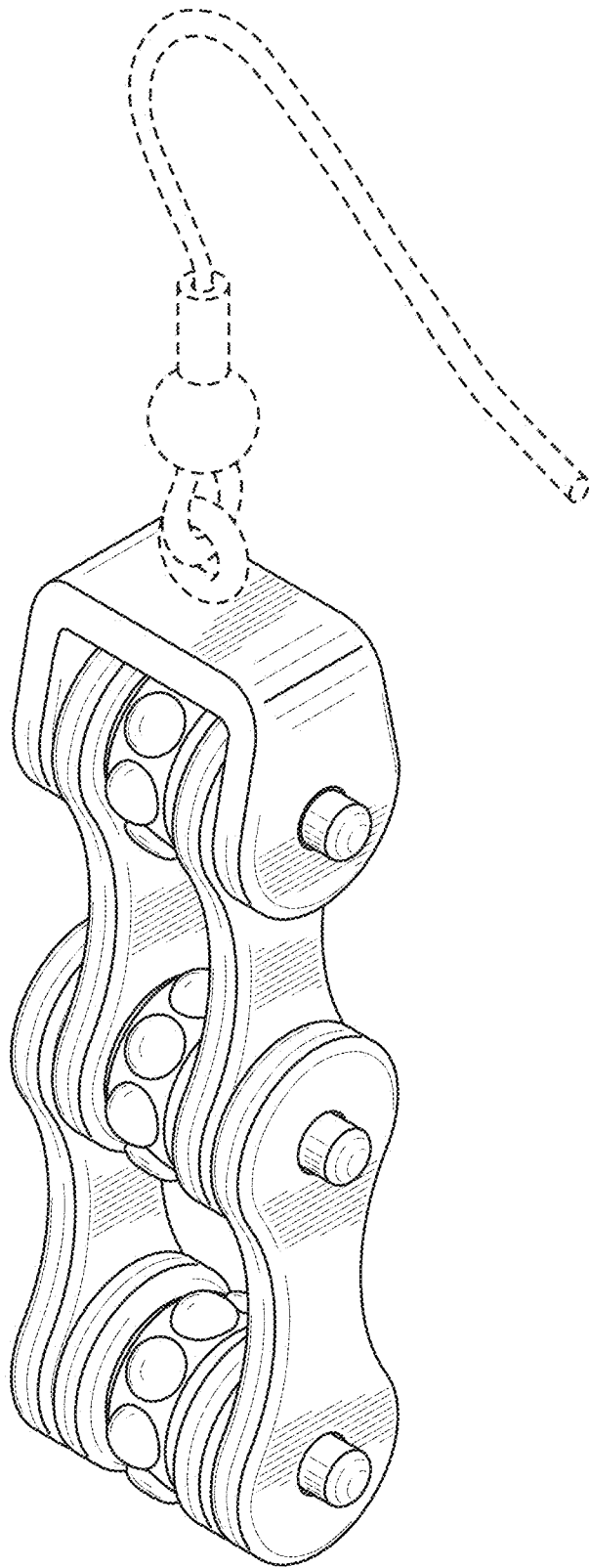


FIG. 1

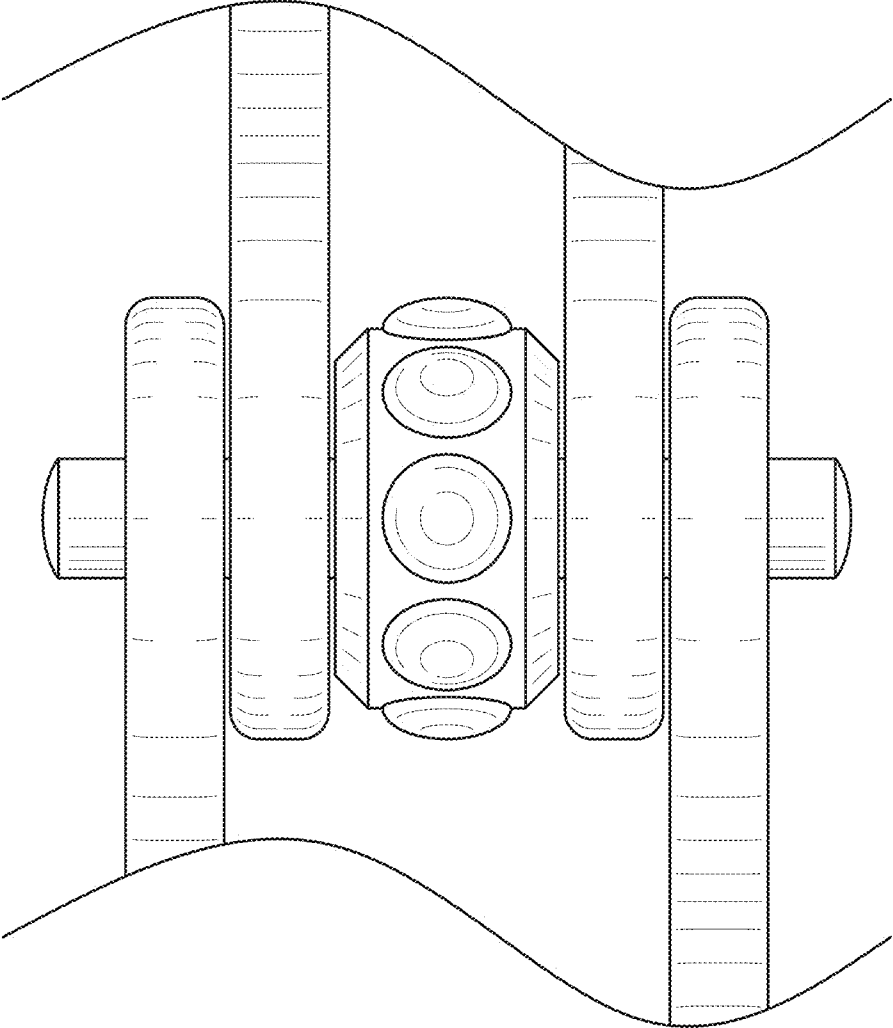


FIG. 2

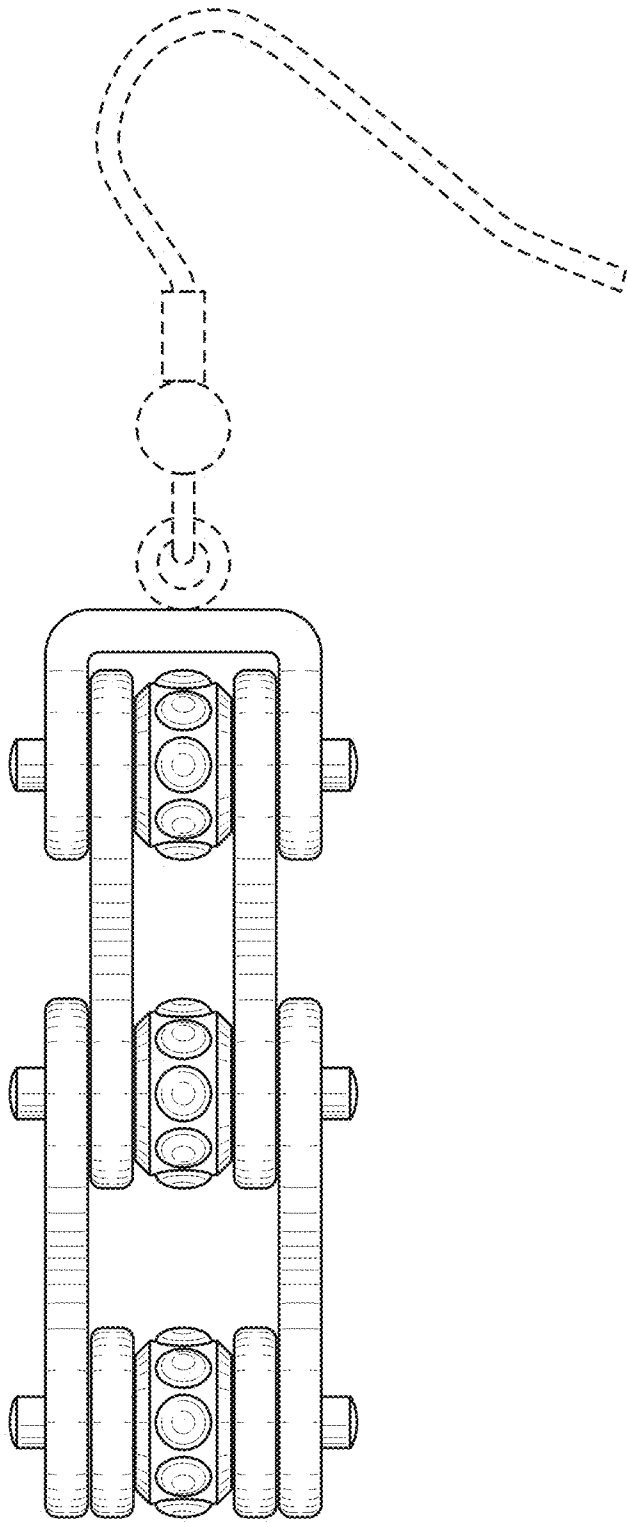


FIG. 3

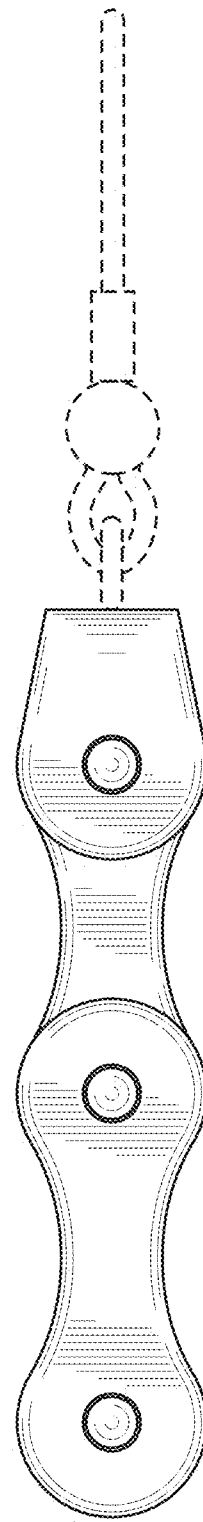


FIG. 4