



US00D884691S

(12) **United States Design Patent**
Wilder et al.

(10) **Patent No.:** **US D884,691 S**

(45) **Date of Patent:** **** May 19, 2020**

(54) **PHONE CASE**

(71) Applicant: **VIBES AUDIO LLC**, Irvine, CA (US)

(72) Inventors: **Shane Wilder**, Aliso Viejo, CA (US);
Scharles Wilder, San Diego, CA (US)

(73) Assignee: **VIBES AUDIO LLC**, Irvine, CA (US)

(**) Term: **15 Years**

(21) Appl. No.: **29/671,962**

(22) Filed: **Nov. 30, 2018**

7,457,407 B2 11/2008 Sun et al.
D586,787 S 2/2009 Rivard et al.
D596,158 S 7/2009 Ragde, Jr. et al.
D596,618 S 7/2009 Zha
7,639,830 B2 12/2009 Schell et al.
7,653,209 B2 1/2010 Abe et al.

(Continued)

FOREIGN PATENT DOCUMENTS

KR 3006336210000 2/2012
KR 3008836580000 12/2016

(Continued)

OTHER PUBLICATIONS

Vibes Audio Vibrox review, publication date Dec. 12, 2017, [online][site visited Dec. 15, 2017] URL: <https://www.digitaltrends.com/music/vibes-audio-vibrox-review/> (Year: 2017).*

(Continued)

Primary Examiner — Susan E Krakower
Assistant Examiner — L. A. Grabenstetter

(74) *Attorney, Agent, or Firm* — Knobbe, Martens, Olson & Bear, LLP

(57) **CLAIM**

The ornamental design for a phone case, as shown.

DESCRIPTION

FIG. 1 is a front view of a phone case;
FIG. 2 is a rear view thereof;
FIG. 3 is a right-side view thereof;
FIG. 4 is a left-side view thereof;
FIG. 5 is a bottom view thereof;
FIG. 6 is a top view thereof;
FIG. 7 is front, right-side, and bottom perspective view thereof; and,
FIG. 8 is a rear, left-side, and bottom perspective view thereof.

1 Claim, 8 Drawing Sheets

Related U.S. Application Data

(63) Continuation of application No. 29/583,405, filed on Nov. 4, 2016, now Pat. No. Des. 835,087.

(51) **LOC (12) Cl.** **14-03**

(52) **U.S. Cl.**
USPC **D14/250**

(58) **Field of Classification Search**

USPC D3/201, 218, 226, 227, 247, 249, 250,
D3/269, 303; D13/103, 107, 108, 119;
D14/137, 138 R, 138 AA, 138 C, 138 G,
D14/172, 192, 203.3–203.7, 217, 238.1,
D14/247, 248, 250–253, 434, 440, 447,
D14/496

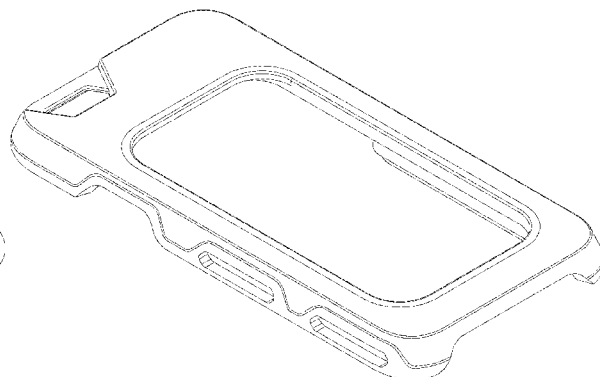
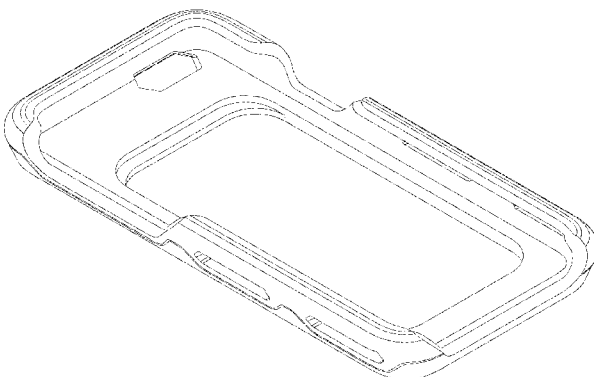
CPC H04B 1/3888; H04M 1/0283;
H04M 1/0202; A45C 1/06; A45C
2011/002; A45C 11/00; A45F 2005/028;
A45F 2200/0525

See application file for complete search history.

(56) **References Cited**

U.S. PATENT DOCUMENTS

5,245,669 A 9/1993 Bittencourt
D344,261 S 2/1994 Watanabe
6,675,931 B2 1/2004 Sahyoun
D542,287 S 5/2007 Chung et al.



(56)

References Cited

U.S. PATENT DOCUMENTS

- D624,304 S * 9/2010 Danze D3/201
D635,555 S * 4/2011 Giles D14/217
D639,731 S * 6/2011 Sun D13/103
7,985,501 B2 7/2011 Kim et al.
D644,428 S * 9/2011 Feng D3/218
D654,931 S 2/2012 Lemelman et al.
8,251,210 B2 8/2012 Schmidt et al.
D669,459 S * 10/2012 Kim D14/253
D674,803 S * 1/2013 Westrup A45C 3/02
D14/440
- 8,435,656 B2 5/2013 Koh et al.
D685,728 S 7/2013 Hoshi et al.
D685,738 S 7/2013 Moore et al.
8,485,404 B2 7/2013 Monaco et al.
D688,654 S 8/2013 Stevinson
D703,651 S * 4/2014 Ehrlich D14/250
D704,194 S * 5/2014 Young D14/440
8,833,379 B1 9/2014 Kaplan
D719,950 S * 12/2014 Smith D14/250
D723,533 S 3/2015 Stevinson
D724,785 S 3/2015 Frederick
D725,093 S * 3/2015 Sun D14/250
D725,643 S 3/2015 Lee et al.
D726,144 S 4/2015 Kang
D726,701 S * 4/2015 Stevinson D14/250
D735,184 S 7/2015 Lee et al.
D735,706 S * 8/2015 Stevinson D14/250
D744,470 S * 12/2015 Stevinson D14/250
D746,801 S 1/2016 Pan
9,236,617 B2 1/2016 Ogami et al.
D756,967 S 5/2016 Manz
D759,004 S 6/2016 Stevinson
D765,069 S 8/2016 Jeffrey
D769,854 S * 10/2016 Duval D14/250
9,525,946 B2 12/2016 Bank
D775,618 S * 1/2017 Kim D14/250
9,653,724 B2 5/2017 Lim
D789,343 S * 6/2017 Hawes D14/250
D791,115 S * 7/2017 Schilling D14/250
9,887,725 B1 2/2018 Wilder et al.
D819,620 S * 6/2018 Parker D14/250
D835,087 S 12/2018 Wilder et al.
D836,620 S * 12/2018 Ehrlich D14/250
D837,776 S * 1/2019 Chung D14/250
- D841,636 S * 2/2019 Turk B60R 11/02
D14/250
- 10,211,876 B2 2/2019 Wilder et al.
D848,366 S * 5/2019 Lian D13/108
D857,687 S * 8/2019 Frederick D14/250
D865,741 S * 11/2019 Hawes D14/250
D868,051 S * 11/2019 Kim D14/250
- 2005/0168111 A1 8/2005 Bank et al.
2013/0157730 A1 6/2013 McCormac et al.
2013/0181584 A1 7/2013 Whitten et al.
2014/0135080 A1 5/2014 Kimball et al.
2014/0290917 A1 10/2014 Chang et al.
2015/0341712 A1 11/2015 Wilcox et al.
2018/0198479 A1 7/2018 Wilder et al.

FOREIGN PATENT DOCUMENTS

- KR 3008854610000 12/2016
KR 3009120470000 6/2017

OTHER PUBLICATIONS

- Vibes Audio Modular Smartphone Accessories Featuring Baserox, Vibrox, an Voltrox, publication date Jan. 2, 2018, [online][site visited Dec. 18, 2019] URL: <https://gstylemag.com/2018/01/02/vibes-audio-modular-smartphone-accessories-featuring-baserox-vibrox-and-voltrox/> (Year: 2018).*
- Review: Viberox Sound Engine, publication date Feb. 13, 2018, [online][site visited Dec. 18, 2019] URL: <https://www.prosoundnetwork.com/archives/review-viberox-sound-engine> (Year: 2018).*
- U.S. Appl. No. 29/609,364, filed Jun. 29, 2017, Wilder et al.
U.S. Appl. No. 16/277,702, filed Feb. 15, 2019, Wilder et al.
U.S. Appl. No. 16/340,078, filed Apr. 5, 2019, Wilder et al.
- International Search Report and Written Opinion of the International Searching Authority for International Application No. PCT/US2017/055118, dated Feb. 13, 2018, in 14 pages.
- Roxon Modular Smartphone System, Vibes Modular, downloaded from <https://vibesmodular.com/> on Apr. 30, 2018, in 6 pages.
- Vibes Audio Vibrox review, posted at Digitaltrends.com, posting date Dec. 12, 2017, [online], [site visited Dec. 15, 2017]. Available from Internet, <URL: <https://www.digitaltrends.com/music/vibes-audio-vibrox-review/>>.

* cited by examiner

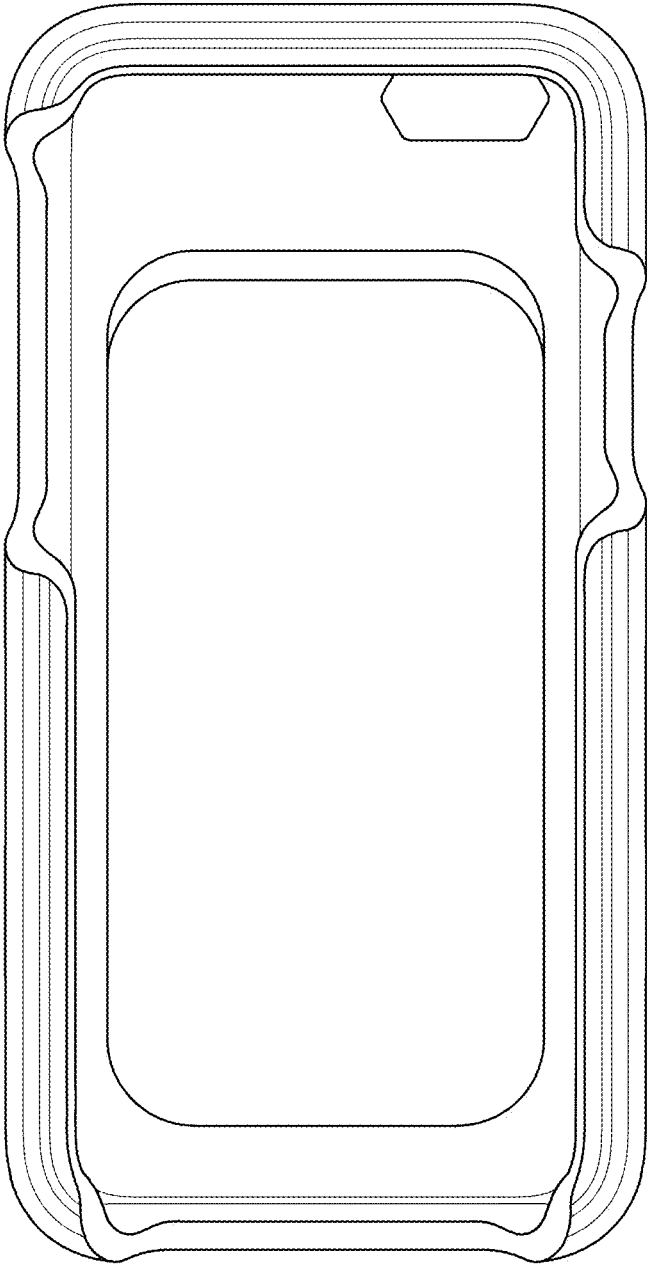


FIG. 1

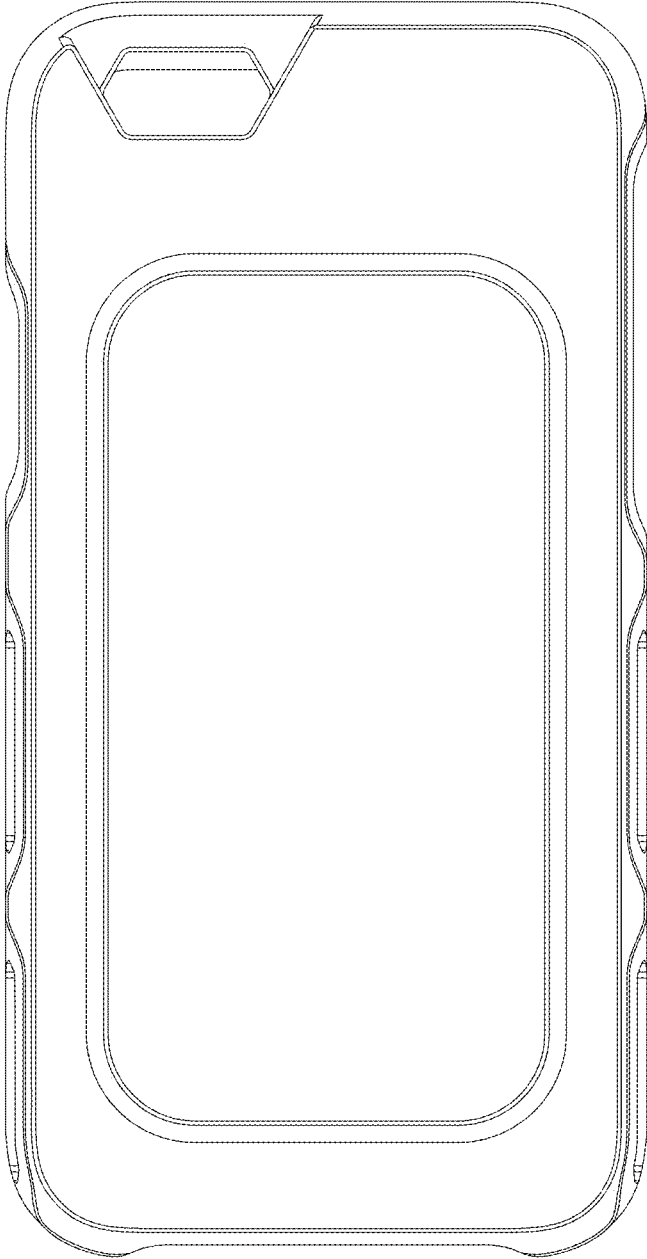


FIG. 2

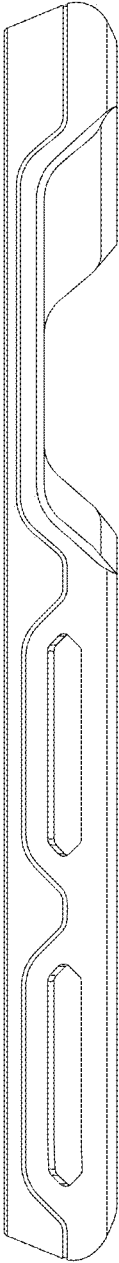


FIG. 3

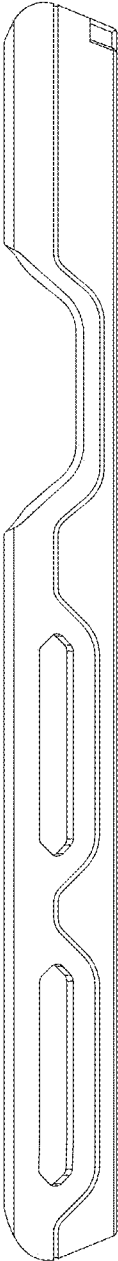


FIG. 4

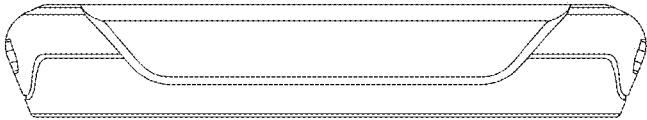


FIG. 5

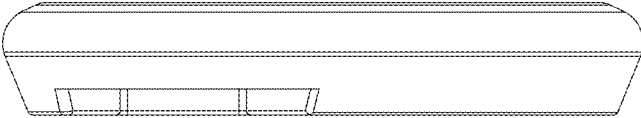


FIG. 6

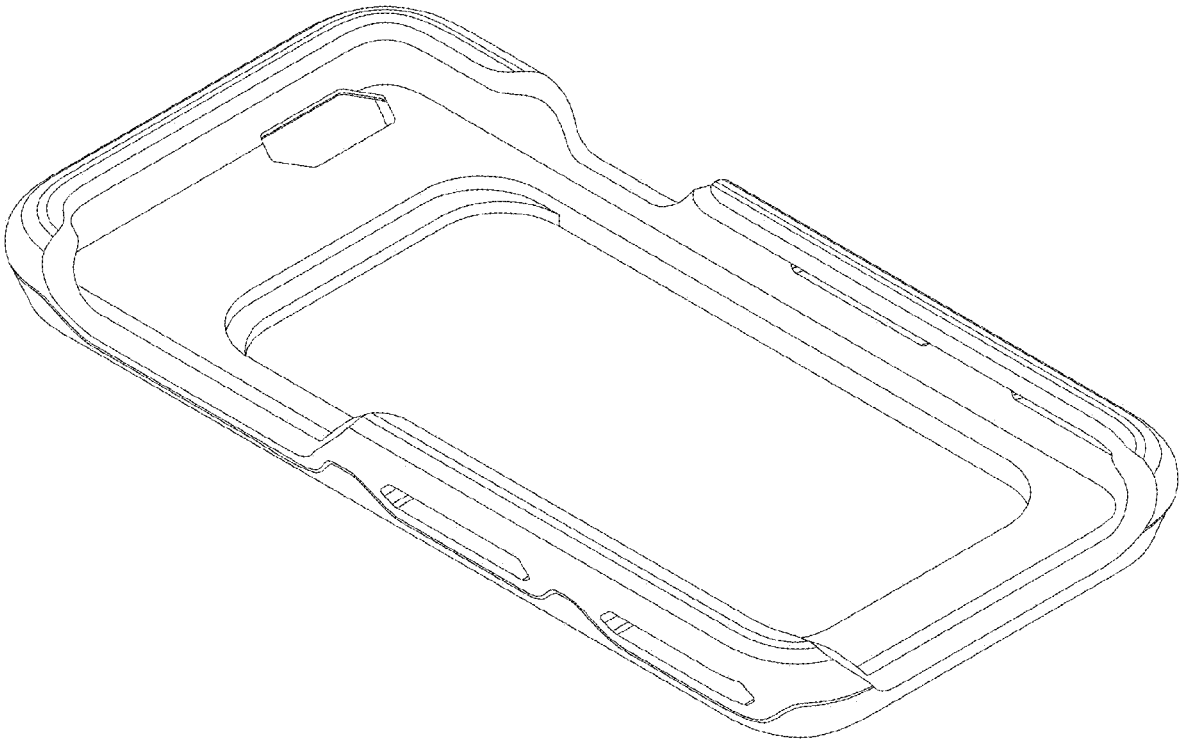


FIG. 7

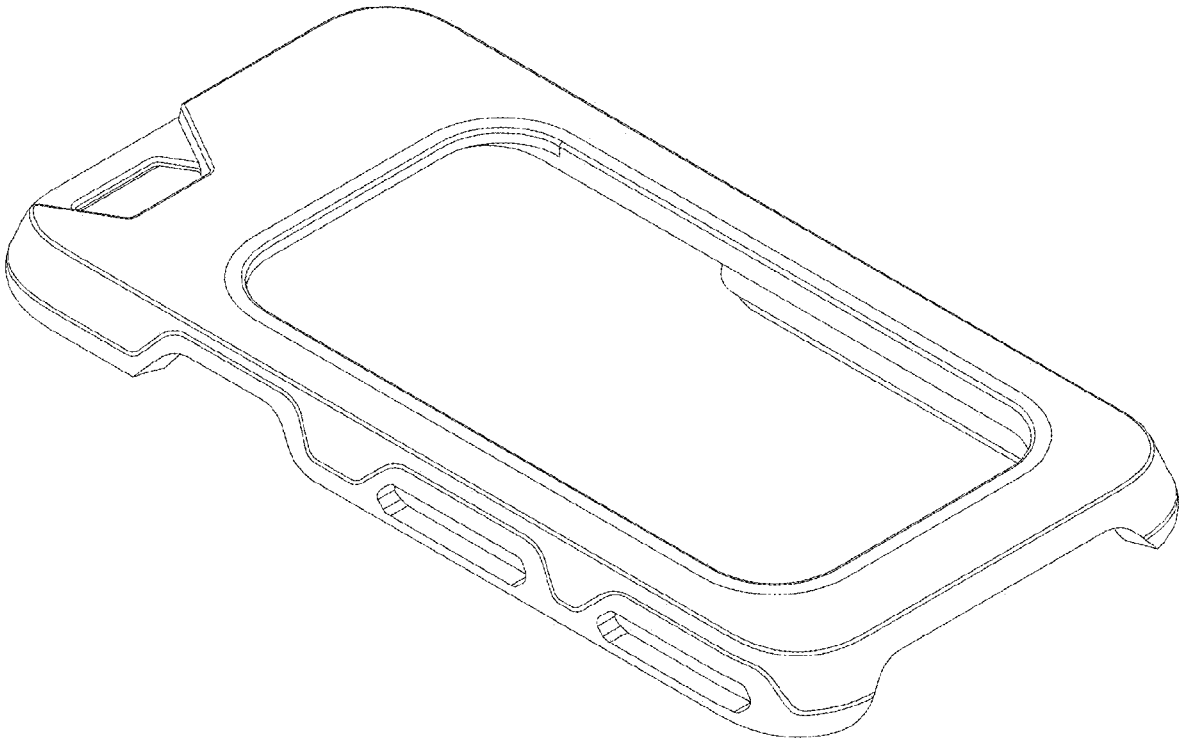


FIG. 8