



US00D765332S

(12) **United States Design Patent** (10) **Patent No.:** **US D765,332 S**  
**Niedzwecki et al.** (45) **Date of Patent:** **\*\* Aug. 30, 2016**

(54) **FLOOR CLEANING DEVICE** 8,534,301 B2 \* 9/2013 Nottingham ..... A47L 13/22  
134/105  
(71) Applicant: **Euro-Pro Operating LLC**, Newton, MA (US) 8,671,510 B2 \* 3/2014 Han ..... A47L 5/225  
15/329  
D704,399 S \* 5/2014 Crawley ..... D32/17  
(Continued)

(72) Inventors: **Scott B Niedzwecki**, Walpole, MA (US); **Dan Kestenbaum**, Brookline, MA (US)

(73) Assignee: **SharkNinja Operating LLC**, Newton, MA (US)

(\*\*) Term: **15 Years**

(21) Appl. No.: **29/530,379**

(22) Filed: **Jun. 16, 2015**

(51) **LOC (10) Cl.** ..... **04-01**

(52) **U.S. Cl.**  
USPC ..... **D32/45**

(58) **Field of Classification Search**  
USPC ..... D32/35, 40, 49-53, 71-72; D8/107, D8/81-83; D7/393, 648  
CPC ..... A47L 13/12; A47L 13/16; A47L 13/20; A47L 13/24; A47L 13/144; A47L 13/146; B24D 13/045; B25B 23/16  
See application file for complete search history.

(56) **References Cited**

**U.S. PATENT DOCUMENTS**

D458,427 S *	6/2002	Kunkler	.....	D32/45
D497,699 S *	10/2004	Chi-Hsiang	.....	D32/45
D597,717 S *	8/2009	Rosenzweig	.....	D32/45
D656,283 S *	3/2012	Lavy	.....	D32/45
D657,518 S *	4/2012	McGee	.....	D32/45
D658,835 S *	5/2012	Houghton	.....	D32/45
D661,035 S *	5/2012	McGee	.....	D32/45
D673,337 S *	12/2012	Chow	.....	D32/45
8,425,137 B1 *	4/2013	Sampaio	.....	A47L 13/22 401/139
D685,557 S *	7/2013	Rosenzweig	.....	D32/45
D685,558 S *	7/2013	deblois	.....	D32/17
D685,967 S *	7/2013	Houghton	.....	D32/45

**FOREIGN PATENT DOCUMENTS**

CN 301826896 \* 2/2012  
CN 302387310 \* 4/2013

(Continued)

**OTHER PUBLICATIONS**

Amazon.com—Bissell Steam Mop Hard-Floor Cleaner, online, review date Nov. 2, 2009, [http://www.amazon.com/Bissell-Steam-Hard-Floor-Cleaner-1867-7/dp/B000RPVHZU/ref=sr\\_1\\_57?s=vacuums&ie=UTF8&qid=1459206024&sr=1-57&keywords=shark+steam+mop](http://www.amazon.com/Bissell-Steam-Hard-Floor-Cleaner-1867-7/dp/B000RPVHZU/ref=sr_1_57?s=vacuums&ie=UTF8&qid=1459206024&sr=1-57&keywords=shark+steam+mop), [site visited Mar. 28, 2016 7:02:03 PM].\*

(Continued)

*Primary Examiner* — John Windmuller  
*Assistant Examiner* — John R Yeh  
(74) *Attorney, Agent, or Firm* — Ntellect Law, P.C.

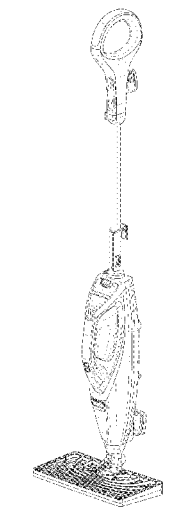
(57) **CLAIM**

The ornamental design for a floor cleaning device, as shown and described.

**DESCRIPTION**

FIG. 1 is a perspective view of a floor cleaning device showing our new design;  
FIG. 2 is a front elevational view thereof;  
FIG. 3 is a rear elevational view thereof;  
FIG. 4 is a left side elevational view thereof;  
FIG. 5 is a right side elevational view thereof;  
FIG. 6 is a top plan view thereof; and,  
FIG. 7 is a bottom plan view thereof.  
The broken lines in the drawings show portions of the floor cleaning device that form no part of the claimed design.

**1 Claim, 6 Drawing Sheets**



(56)

References Cited

U.S. PATENT DOCUMENTS

D711,058 S \* 8/2014 Crawley ..... D32/45  
 2004/0071490 A1 \* 4/2004 Vosbikian ..... A47L 13/12  
 401/49  
 2007/0136984 A1 \* 6/2007 Hsu ..... A47L 5/225  
 15/339  
 2009/0320231 A1 \* 12/2009 Rosenzweig ..... A47L 13/22  
 15/339  
 2010/0050367 A1 \* 3/2010 Tsai ..... A47L 13/225  
 15/320  
 2013/0232719 A1 \* 9/2013 Luedke ..... A47L 13/225  
 15/320  
 2015/0013098 A1 \* 1/2015 Vrdoljak ..... A47L 13/225  
 15/320  
 2015/0183108 A1 \* 7/2015 Thorne ..... B25G 1/06  
 15/144.1

FOREIGN PATENT DOCUMENTS

CN 302738945 \* 2/2014  
 JP 1435730 S 3/2012  
 JP 1435731 S 3/2012

JP 1435738 S 3/2012  
 JP 30-0832047 12/2015  
 JP 1542782 S 2/2016

OTHER PUBLICATIONS

Amazon.com—Shark 2-in-1 Blast & Scrub Steam Pocket Mop, online, review date Dec. 24, 2015, [http://www.amazon.com/Shark-Blast-Scrub-Steam-Pocket/dp/B016BJVAXY/ref=cm\\_cr\\_ar\\_p\\_d\\_\\_product\\_top?ie=UTF8](http://www.amazon.com/Shark-Blast-Scrub-Steam-Pocket/dp/B016BJVAXY/ref=cm_cr_ar_p_d__product_top?ie=UTF8), [site visited Mar. 28, 2016 6:45:55 PM].\*  
 Amazon.com—Shark Steam and Spray PRO Mop, online, webiste copyright 2016, [http://www.amazon.com/Shark-Steam-Spray-PRO-SS460WM/dp/B018MPPM9H6/ref=sr\\_1\\_96?s=vacuums&ie=UTF8&clid=1459215568&sr=1-96&keywords=steam+mop](http://www.amazon.com/Shark-Steam-Spray-PRO-SS460WM/dp/B018MPPM9H6/ref=sr_1_96?s=vacuums&ie=UTF8&clid=1459215568&sr=1-96&keywords=steam+mop), [site visited Mar. 28, 2016 9:45:31 PM].\*  
 HJ25031449; Best Buy Co., Inc. “EuroPro Shark LiftAway Pro Steam Pocket Mop S3901” URL: <http://www.bestbuy.com/site/Euro-Pro-+-Shark-Lift-Away-Pro-Steam+Pocket+Mop-+-White/1498449.p?d=1219052693268&skuld=1498449>.  
 HJ25032407; E330327H; URL: [http://photo.kenko.com/E330327H\\_L.jpg](http://photo.kenko.com/E330327H_L.jpg).  
 Notice received from Japanese Patent Office for Japanese Design Application No. 2015-028050 dated May 24, 2016.

\* cited by examiner

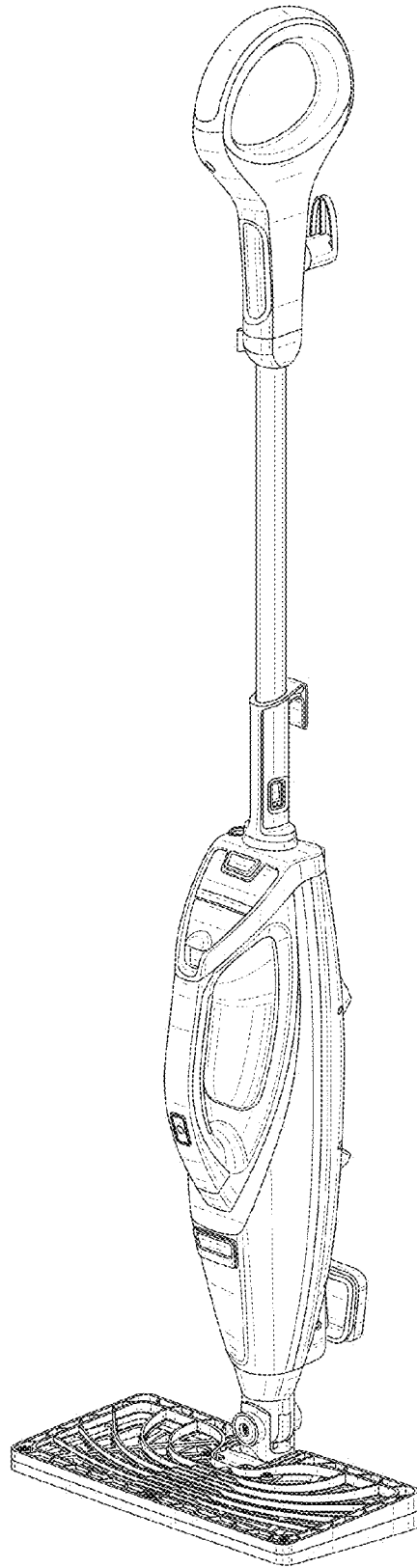


FIG. 1

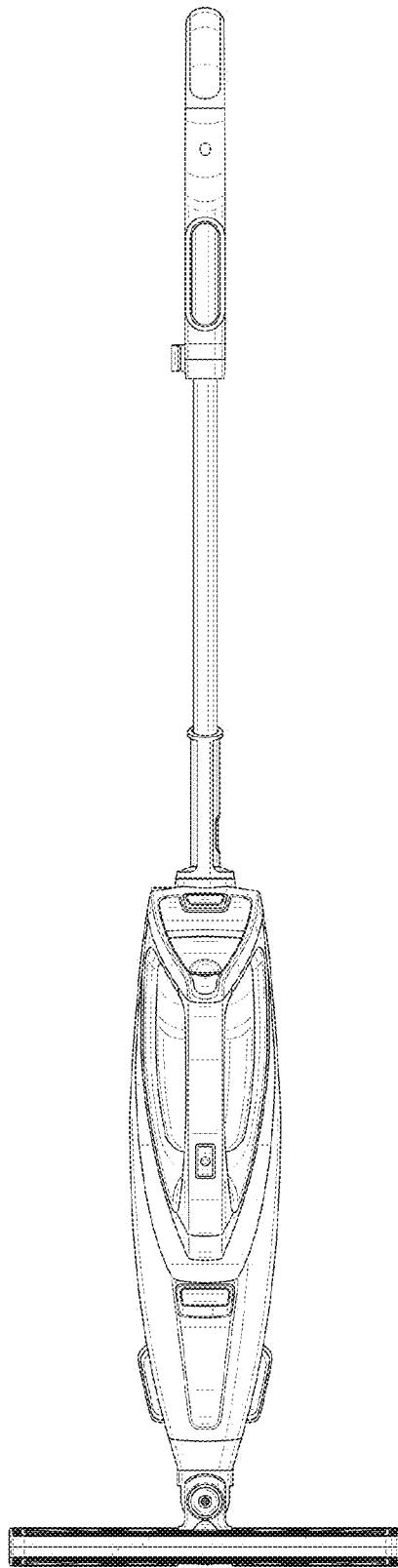


FIG. 2

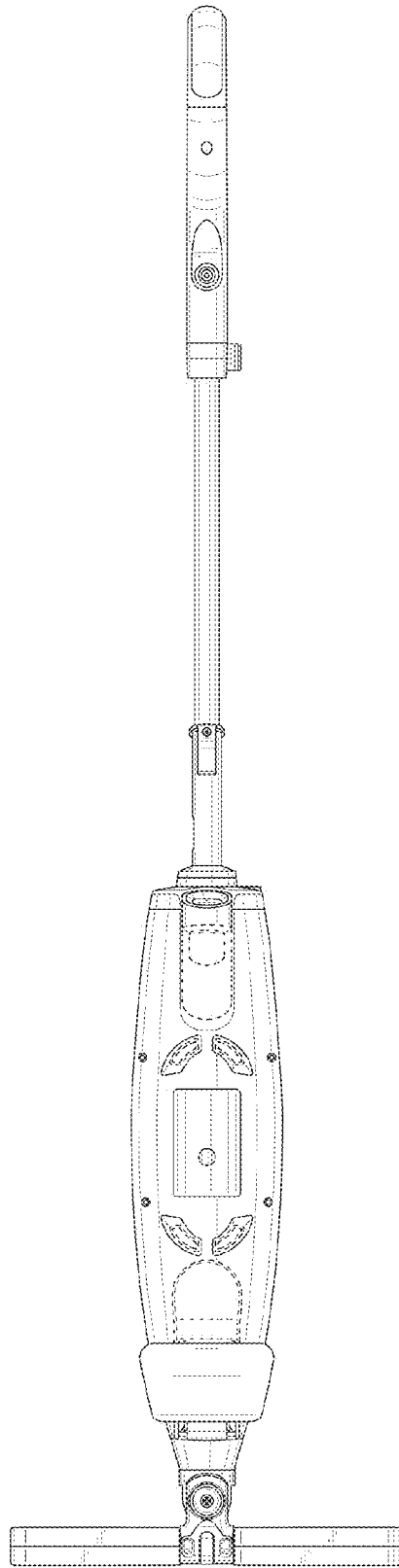


FIG. 3

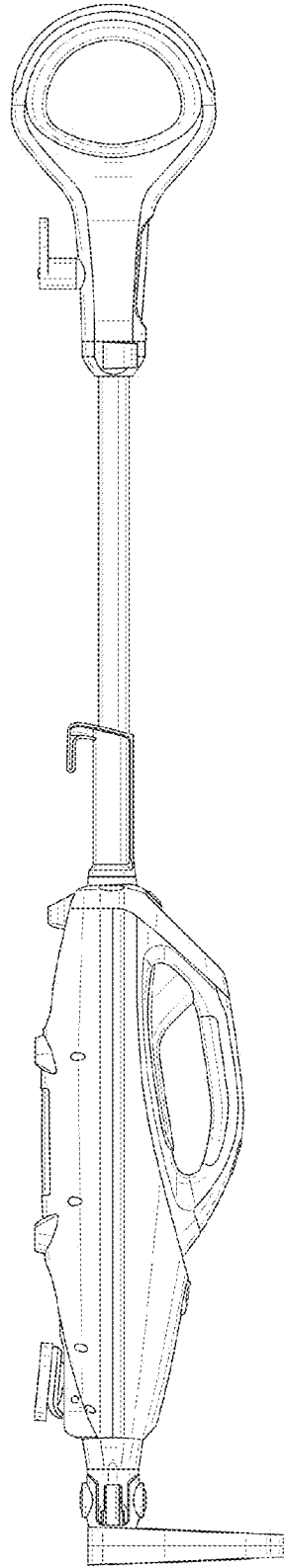


FIG. 4

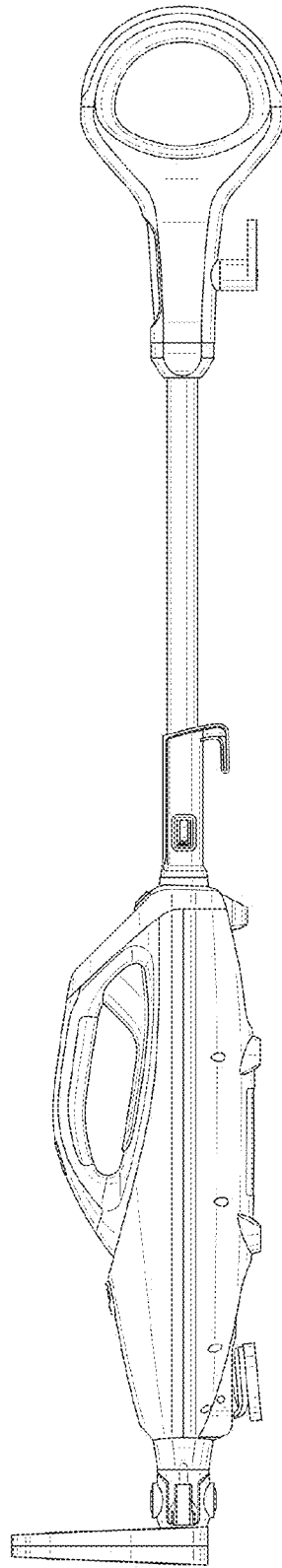


FIG. 5

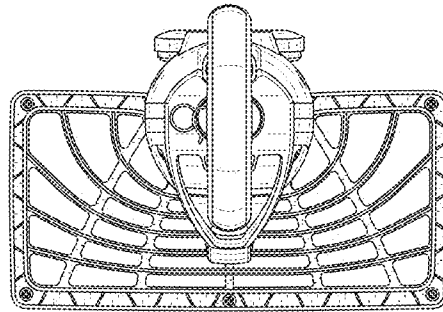


FIG. 6

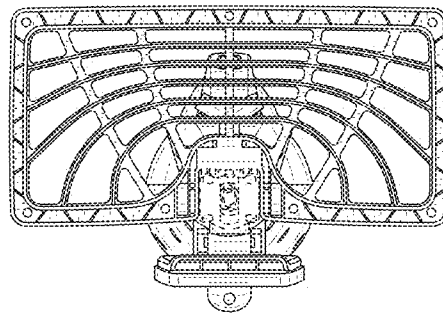


FIG. 7