



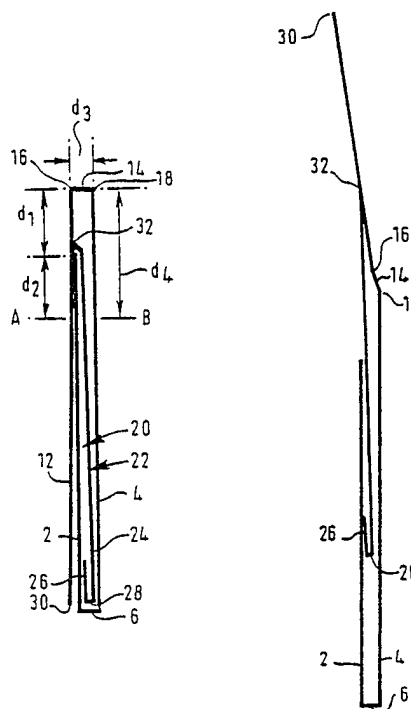
INTERNATIONAL APPLICATION PUBLISHED UNDER THE PATENT COOPERATION TREATY (PCT)

<p>(51) International Patent Classification ⁶ : G11B 33/04</p>	<p>A3</p>	<p>(11) International Publication Number: WO 98/54719 (43) International Publication Date: 3 December 1998 (03.12.98)</p>
<p>(21) International Application Number: PCT/EP98/02865 (22) International Filing Date: 13 May 1998 (13.05.98) (30) Priority Data: 9709717.4 13 May 1997 (13.05.97) GB (71)(72) Applicant and Inventor: FUEST, Aaron [GB/GB]; 10A Rutland Park Avenue, Willsdin, London NW 10 (GB). (74) Agent: KUHNEN, WACKER & PARTNERS; Alois-Steinecker-Strasse 22, D-85354 Freising (DE).</p>		<p>(81) Designated States: DE, JP, US, European patent (AT, BE, CH, CY, DE, DK, ES, FI, FR, GB, GR, IE, IT, LU, MC, NL, PT, SE). Published <i>With international search report.</i> (88) Date of publication of the international search report: 4 March 1999 (04.03.99)</p>

(54) Title: CASE

(57) Abstract

Case comprising a pocket (20), a flap (12) closing and opening the pocket, at least one carrier (22) being slidable in the pocket and connected to the flap; opening the flap slides the carrier to project at least partly from the pocket in order to facilitate removal of an object from the carrier.



FOR THE PURPOSES OF INFORMATION ONLY

Codes used to identify States party to the PCT on the front pages of pamphlets publishing international applications under the PCT.

AL	Albania	ES	Spain	LS	Lesotho	SI	Slovenia
AM	Armenia	FI	Finland	LT	Lithuania	SK	Slovakia
AT	Austria	FR	France	LU	Luxembourg	SN	Senegal
AU	Australia	GA	Gabon	LV	Latvia	SZ	Swaziland
AZ	Azerbaijan	GB	United Kingdom	MC	Monaco	TD	Chad
BA	Bosnia and Herzegovina	GE	Georgia	MD	Republic of Moldova	TG	Togo
BB	Barbados	GH	Ghana	MG	Madagascar	TJ	Tajikistan
BE	Belgium	GN	Guinea	MK	The former Yugoslav Republic of Macedonia	TM	Turkmenistan
BF	Burkina Faso	GR	Greece	ML	Mali	TR	Turkey
BG	Bulgaria	HU	Hungary	MN	Mongolia	TT	Trinidad and Tobago
BJ	Benin	IE	Ireland	MR	Mauritania	UA	Ukraine
BR	Brazil	IL	Israel	MW	Malawi	UG	Uganda
BY	Belarus	IS	Iceland	MX	Mexico	US	United States of America
CA	Canada	IT	Italy	NE	Niger	UZ	Uzbekistan
CF	Central African Republic	JP	Japan	NL	Netherlands	VN	Viet Nam
CG	Congo	KE	Kenya	NO	Norway	YU	Yugoslavia
CH	Switzerland	KG	Kyrgyzstan	NZ	New Zealand	ZW	Zimbabwe
CI	Côte d'Ivoire	KP	Democratic People's Republic of Korea	PL	Poland		
CM	Cameroon	KR	Republic of Korea	PT	Portugal		
CN	China	KZ	Kazakstan	RO	Romania		
CU	Cuba	LC	Saint Lucia	RU	Russian Federation		
CZ	Czech Republic	LI	Liechtenstein	SD	Sudan		
DE	Germany	LK	Sri Lanka	SE	Sweden		
DK	Denmark	LR	Liberia	SG	Singapore		
EE	Estonia						

INTERNATIONAL SEARCH REPORT

International Application No
PCT/EP 98/02865

A. CLASSIFICATION OF SUBJECT MATTER
IPC 6 G11B33/04

According to International Patent Classification (IPC) or to both national classification and IPC

B. FIELDS SEARCHED

Minimum documentation searched (classification system followed by classification symbols)
IPC 6 G11B

Documentation searched other than minimum documentation to the extent that such documents are included in the fields searched

Electronic data base consulted during the international search (name of data base and, where practical, search terms used)

C. DOCUMENTS CONSIDERED TO BE RELEVANT

Category °	Citation of document, with indication, where appropriate, of the relevant passages	Relevant to claim No.
X	DE 195 18 850 A (SEELENMEYER SABINE) 12 December 1996 see abstract; claims 1-6; figures ---	1,2,7,8
X	DE 296 07 718 U (HAASE MARIO) 18 July 1996 see page 2; claims 1,2; figures ---	1,2,7,8
X	US 5 096 055 A (OPPER TOM S) 17 March 1992 see abstract; claims 1-14; figures ---	1,2,7,8
X	WO 93 24931 A (VEENSTRA HENDRIK) 9 December 1993 see abstract; figures see page 9, line 23 - page 10, line 32; figures --- -/--	1-8,13

Further documents are listed in the continuation of box C.

Patent family members are listed in annex.

° Special categories of cited documents :

- *A* document defining the general state of the art which is not considered to be of particular relevance
- *E* earlier document but published on or after the international filing date
- *L* document which may throw doubts on priority claim(s) or which is cited to establish the publication date of another citation or other special reason (as specified)
- *O* document referring to an oral disclosure, use, exhibition or other means
- *P* document published prior to the international filing date but later than the priority date claimed

- *T* later document published after the international filing date or priority date and not in conflict with the application but cited to understand the principle or theory underlying the invention
- *X* document of particular relevance; the claimed invention cannot be considered novel or cannot be considered to involve an inventive step when the document is taken alone
- *Y* document of particular relevance; the claimed invention cannot be considered to involve an inventive step when the document is combined with one or more other such documents, such combination being obvious to a person skilled in the art.
- *Z* document member of the same patent family

Date of the actual completion of the international search

2 October 1998

Date of mailing of the international search report

16. 11. 98

Name and mailing address of the ISA

European Patent Office, P.B. 5818 Patentlaan 2
NL - 2280 HV Rijswijk
Tel. (+31-70) 340-2040, Tx. 31 651 epo nl,
Fax: (+31-70) 340-3016

Authorized officer

Declat, M

INTERNATIONAL SEARCH REPORT

International Application No

PCT/Eur 98/02865

C.(Continuation) DOCUMENTS CONSIDERED TO BE RELEVANT

Category	Citation of document, with indication, where appropriate, of the relevant passages	Relevant to claim No.
X	EP 0 126 980 A (SCHWEINSBERG DATOX ORG) 5 December 1984 see abstract; figures see page 10, line 15 - page 11, line 28 ---	1-8,13
X	US 5 276 589 A (BARTLETT RICHARD A ET AL) 4 January 1994 see column 1, line 6 - line 53; claim 1; figures see column 3, line 39 - column 4, line 21 ---	9-12
A	US 4 538 730 A (WU CHYI-YING) 3 September 1985 see abstract; figures ---	1-8,13
A	GB 794 216 A (BOREL JACQUES M. L.) 30 April 1958 see claims 1-6; figures ---	1-8,13
A	GB 2 175 883 A (SHEU POR JIY) 10 December 1986 see abstract; figures ---	1-8,13
A	US 5 267 123 A (BOOTHROYD ALLEN ET AL) 30 November 1993 see abstract; figures ---	9-12
A	GB N26433 A (STRAIN WILLIAM) 9 April 1914 & GB,A,26433 A.D. 1913 see page 1, line 5 - page 2, line 37; figures -----	1-8,13

INTERNATIONAL SEARCH REPORT

International application No.

PCT/EP 98/02865

Box I Observations where certain claims were found unsearchable (Continuation of item 1 of first sheet)

This International Search Report has not been established in respect of certain claims under Article 17(2)(a) for the following reasons:

1. Claims Nos.:
because they relate to subject matter not required to be searched by this Authority, namely:

2. Claims Nos.:
because they relate to parts of the International Application that do not comply with the prescribed requirements to such an extent that no meaningful International Search can be carried out, specifically:

3. Claims Nos.:
because they are dependent claims and are not drafted in accordance with the second and third sentences of Rule 6.4(a).

Box II Observations where unity of invention is lacking (Continuation of item 2 of first sheet)

This International Searching Authority found multiple inventions in this international application, as follows:

see additional sheet

1. As all required additional search fees were timely paid by the applicant, this International Search Report covers all searchable claims.
2. As all searchable claims could be searched without effort justifying an additional fee, this Authority did not invite payment of any additional fee.
3. As only some of the required additional search fees were timely paid by the applicant, this International Search Report covers only those claims for which fees were paid, specifically claims Nos.:
4. No required additional search fees were timely paid by the applicant. Consequently, this International Search Report is restricted to the invention first mentioned in the claims; it is covered by claims Nos.:

Remark on Protest

The additional search fees were accompanied by the applicant's protest.

No protest accompanied the payment of additional search fees.

FURTHER INFORMATION CONTINUED FROM PCT/ISA/ 210

1) Claims 1-8, 13:

Case comprising a pocket, a flap closing and opening the pocket, at least one carrier being slidable in the pocket and connected to the flap; opening the flap slides the carrier to project at least partly from the pocket in order to facilitate removal of an object from the carrier.

2) Claims 9-12:

Case comprising a back member, a hingedly mounted flap covering and uncovering the back member, and a display panel slidably connected to one of the back member and the flap and hingedly connected to the other; opening the flap causes the display panel to slide in relation to the back member or flap.

INTERNATIONAL SEARCH REPORT

Information on patent family members

International Application No

PCT/E. 98/02865

Patent document cited in search report		Publication date	Patent family member(s)	Publication date
DE 19518850	A	12-12-1996	AU 5810496 A WO 9637892 A	11-12-1996 28-11-1996
DE 29607718	U	18-07-1996	NONE	
US 5096055	A	17-03-1992	NONE	
WO 9324931	A	09-12-1993	NL 9200931 A AU 662064 B AU 4322993 A CA 2114212 A EP 0612433 A JP 6509777 T NO 940264 A NZ 253633 A US 5509533 A	16-12-1993 17-08-1995 30-12-1993 09-12-1993 31-08-1994 02-11-1994 25-03-1994 26-01-1996 23-04-1996
EP 0126980	A	05-12-1984	US 4589544 A	20-05-1986
US 5276589	A	04-01-1994	US 5337212 A	09-08-1994
US 4538730	A	03-09-1985	NONE	
GB 794216	A		NONE	
GB 2175883	A	10-12-1986	NONE	
US 5267123	A	30-11-1993	AU 6722890 A EP 0499615 A WO 9107716 A GB 2238668 A,B JP 5501930 T	13-06-1991 26-08-1992 30-05-1991 05-06-1991 08-04-1993
GB N26433	A		NONE	